

TECHNICAL CATALOGUE



PLANETARY GEARED MOTORS

STANDARD **IEC**

1. GENERAL INFORMATION

1.1	COMPANY PROFILE	4
1.2	PRODUCTS AND SOFTWARE MOTOVARIO	6
1.3	SYMBOLS AND FORMULAS	9
1.3.1	Symbols	9
1.3.2	Formulas	10
1.4	PRODUCT SELECTION	11
1.5	SERVICE FACTOR	14
1.5.1	Service factor	14
1.6	INSTALLATION	17
1.6.1	Installation	17

2. PRODUCT INFORMATION

2.1	DESIGN FEATURES	18
2.2	TYOLOGY	19
2.2.1	Designation	19
2.2.2	Versions	20
2.3	MOUNTING POSITIONS	21
2.3.1	Mounting positions	21
2.3.2	Position of terminal box	22
2.4	THERMAL POWER	23
2.4.1	Information	23
2.4.2	Verification	24
2.5	CRITICAL APPLICATIONS	25
2.5.1	Critical applications	25
2.5.2	Information	25
2.6	MOTOR FLANGE AVAILABILITY	26
2.7	OUTPUT SHAFT BEARINGS	33
2.8	RADIAL LOAD	34
2.8.1	Information	34
2.8.2	Input	34
2.8.3	Output - Radial/Axial load	35
2.9	LUBRICATION	40

2.9.1	Information	40
2.9.2	Lubricants	40
2.9.3	Special lubricants	42
2.9.4	Quantity	42

3. DIMENSIONS

3.1	REDUCERS/GEARED MOTORS	43
3.1.1	HL/PHL 1	43
3.1.2	CHL 1	44
3.1.3	IHL 1	45
3.1.4	HL/PHL 2 010-130	46
3.1.5	HL/PHL 2 180	47
3.1.6	CHL 2	48
3.1.7	IHL 2 010-130	49
3.1.8	IHL 2 180	50
3.1.9	HL/PHL 3 010-130	51
3.1.10	HL/PHL 3 180	52
3.1.11	CHL 3 010-130	53
3.1.12	CHL 3 180	54
3.1.13	IHL 3 010-130	55
3.1.14	IHL 3 180	56
3.1.15	HL/PHL 4 010-130	57
3.1.16	HL/PHL 4 180	58
3.1.17	CHL 4 010-130	59
3.1.18	CHL 4 180	60
3.1.19	IHL 4 010-130	61
3.1.20	IHL 4 180	62
3.2	WEIGHTS	63
3.3	SHAFT END	66
3.4	ELECTRIC MOTORS	67
3.4.1	Electric motors	67
3.4.2	Standard high efficiency (TS), high (TH, SH, HSH) and premium (TP) motors	69
3.4.3	Nominal power - [kW]	70

4. ACCESSORIES AND OPTIONS

4.1	LOW SPEED SHAFTS	71
4.1.1	Shrink disk shaft HM1-HM0	71
4.1.2	Splined solid shaft SS	73
4.1.3	Splined hollow shaft HS	75
4.2	WHEEL FLANGE	77
4.3	AXIAL FIXING WASHER	78
4.4	SHAFT MOUNTING FASTENING	79
4.5	BACKSTOP DEVICE	80
4.6	REINFORCED OIL SEALS FOR OUTPUT SHAFT	81

5. PERFORMANCES

5.1	HL GEARED MOTORS	82
5.2	IHL GEAR REDUCER - 1400 rpm	106
5.3	IHL GEAR REDUCER - 900 rpm	112
5.4	IHL GEAR REDUCER - 500 rpm	118
5.5	WORKING CYCLES - $n_2 \cdot h$	124

6. SALES CONDITIONS

6.1	SALES CONDITIONS	134
------------	-------------------------------	------------

Motovario® corporate philosophy aims to promote the company's brand and products at an international level with determination and transparency, while constantly striving to offer innovative solutions for satisfying and anticipating the demand of the market. Motovario® provides technologically advanced solutions in the transmission components field for industrial and civil applications worldwide.

The company

At Formigine, the heart of Modena's industrial district, Motovario® boasts a production plant spanning 50,000 m² that employs 500 people.

1965 Foundation of Motovario

1998 Acquisition of Spaggiari Trasmissioni, an important brand in the mechanical technology sector.

2006 Motovario acquisition by a private investment fund managed by Synergo SGR, in order to guarantee its development and support its expansion throughout the world.

2014 Acquisition of Pujol.

2015 Acquisition by TECO.

At the core of Motovario® lies an evolved production process based on technological solutions that convert power into movement. Motovario® is at the heart of the production processes that drive industries worldwide. Quality and reliability are the company's fundamental assets. Motovario® is present throughout the world with branches in France, Spain, Germany, England, China, the United States and India. The sales network and customer service guarantee immediate and high-quality support to all customers. In addition, the company boasts a worldwide network of MAC (Motovario Assembly Centre). Qualified assembly centres are present, in Italy, Australia, Benelux, Bulgaria, China, Finland, France, India, Ireland, Israel, Malaysia, Poland, Portugal, South Korea, Spain, Sweden, Turkey, United Kingdom, Ukraine and USA. The company is able to offer a wide range of products: speed variators, right-angle, helical-bevel, shaft-mounted, worm gear reducers and gearmotors, electric motors, inverter and inverter drives. Maximum quality and precision are ensured by the cutting-edge technologies implemented in the production process. 170 numerical control machines, served by LGV lines for storage in automatic warehouses, ensure a high standard of efficiency for the Motovario® production department.

The highly automated assembly lines are supported by a specific computerised system. The process statistical control system manages the production process to avoid rejects, by enabling the operator to monitor all the processing phases. The annealing, tempering, hardening and carburizing treatments are carried out inside the plant. The plant operates on a 24-hour basis, including holidays. Reliability, resilience and versatility are the distinctive features of Motovario® products, the most qualified solution to any power transmission requirement.

Main fields OF APPLICATIONS

- Mechanical-electromechanical industry (car washing, pumps, barriers & automatic doors, circuit breakers)
- Ceramic industry (ovens, press feeding systems)
- Food, farming, oenology industry
- Wood, marble, glass industry
- Packaging & bottling industry
- Textile, shoes, leather industry
- Transport, logistic industry
- Construction industry
- Milling, animal husbandry, flower industry
- Machine tools & steel industry
- Mining, quarry, cement industry
- Energy industry (solar, nuclear, biomass, wind)
- Amusement industry (theatres, leisure parks, kiddy rides)
- Chemical & pharmaceuticals industry
- Paper & printing industry
- Plastic & rubber industry
- Telecommunications industry (satellite orientation systems, military radar)
- Engineering and consultant companies

Certifications

Our products can be manufactured to conform with the ATEX Directive 2014/34/UE. In addition, the safety and quality of our motors, geared motors and motovariators is guaranteed by the EAC (EurAsian Conformity) certification, an essential requirement for products exported to the Russian Federation. Our motors are UL certified, which guarantees their safety and quality requirements for the North American market.

Quality CONCEPT

Motovario® has obtained the quality certification renewal of its production system in conformity to the UNI EN ISO 9001:2008 standard. This internationally recognised certification acknowledges the company's commitment and drive geared towards constantly improving products, projects and services offered. Moreover, the company has obtained the OHSAS 18001:1999 (Occupational Health and Safety Assessment Series) certification, which defines the requirements of the workplace safety and health management system.

Research & DEVELOPMENT

Technological innovation: a crucial factor for competing in the market. In the company's 50-year history, research and change have been the pivotal factors in guaranteeing competitiveness at a global level, thanks to increasingly advanced products in terms of performance and reliability. Each year the company invests an increasing amount of its turnover in research and development, geared towards promoting the constant study and analysis of products, control processes and performance certification. In order to ensure that customers receive products that comply with the requested performance levels, the company carries out simulations on all new products, including NVH (Noise, Vibration, Harshness) tests effected in the advanced semi-anechoic chamber.

Customer CARE

Innovative instruments and software applications supporting the technical and logistic requirements of our partners worldwide guarantee a timely and customised service. The experience acquired by Motovario® has led to the creation of the new online portal MyMotovario 4.0, which allows for selecting products and exporting their 3D file. As a result, designers and engineering departments can download the three-dimensional model of the requested product and implement it directly in their own layout. In order to maximise customer service and quality, Motovario® offers all its customers the following online services: Order Tracking, which allows for monitoring the progress of an order in real time, and the Stock Availability service, through which users may check the availability (stock) of our products, both in the Italian plant and in the various branches.

Motovario chooses technological evolution.

Motovario® has chosen technological evolution and actively collaborates with the Faculty of Engineering of the University of Modena and Reggio Emilia and of the University of Bologna.

Reliability, sturdiness, versatility

These are the distinctive traits of Motovario products. A broad range of transmission products that provide a competent, innovative solution to each and every power application need. Cutting-edge tools, unrelenting research efforts and ongoing commitment to upgrading manufacturing equipment to the latest state-of-the-art enable us to offer high quality and performance standards to cater to industry requirements and the broadest variety of applications. Motovario ranks among the leading, well-reputed companies in Italy engaged in the design, manufacture and sales of transmission products for industrial and civil applications. The entire manufacturing process takes place in Formigine and Ubersetto plants, in Modena area, with an overall surface area of over 50.000 sq m. and a workforce of about 500 people. 170 numerically controlled machines and cutting-edge handling, storage and assembly automated systems ensure that all products meet high quality standards. The network includes more than 40 Motovario-certified assembly centres, with the capability to supply products in a broad range of versions, including customised versions, high service capacity and fast response. As a result, our product offering can cater to the needs of all plant engineering sectors, in all industries and for different applications, and includes: speed variators, helical, bevel-helical, parallel helical, worm gear reducers and gearmotors, electric motors and motor-inverters. All of the products we manufacture share such common features as reliability, sturdiness and versatility, topped with a high innovation content. At the heart of a company's technological innovation is the ability to develop integrated tools for computer-aided calculation simulation and management of different processes as part of product development. When simulating operating, setup and process conditions, it is also necessary to analyse and optimize the overall functional design of a product using a synergistic approach. This is achieved by implementing an exhaustive experimental plan, without using interpolation or approximation, as they frequently allow criticalities or any oversizing which is not conducive to maximising quality/cost ratio to go unnoticed.

High-efficiency method for calculation according to standards

A set of specific functions have been developed to this end. A few significant examples include functions to:

- Optimise individual reduction ratios and the combinations of the different reduction stages based on parametrisable target normal series;
- Calculate torque values and maximum permissible external forces for gear reducer units, using iterative numeric algorithms to confirm target life/safety values of components;
- Create databases for loading a FEM structural analysis model by automatically writing all reaction components of bearings under all load conditions to a specific file, with automatic selection of critical cases that need to be verified.

Another goal of the method is to create synergy between calculation according to standards and FEM structural calculation and the implementation of FEM model loading procedures, so as to simplify input data, meshing and constraint criteria

Competitiveness and operational benefits of the new method

This method offers many practical advantages over traditional calculation procedures within the company, namely:

- Iterative optimisation of project since setup stage;
- Accurate assessment of the various service factors and reliability levels for the entire gear reducer unit and for all operating conditions as per catalogue rating or customer specific requirements;
- Faster support to customers in analysing tailored product configurations;
- Integrated corporate databases that can be updated in real-time.

Range extension and ongoing evolution

The steady, significant growth of Motovario Group is achieved thanks to an ongoing search for new calculation and design tools, as well as to customer service. The new tools identified have led to innovation, improved product reliability as well as positive developments in market management. The following software products are used for design, calculation and management:

- Solidworks;
- Kisoft;
- Kissys;
- Ansys;
- FEM modelling analysis software;
- Circuit design and simulation software;
- Specific spreadsheets;
- SAP.

In MyMotovario 4.0 portal, PRODUCT SELECTION includes a section named APPLICATIONS where customers can enter application data and find out which gear reducer suits them best in a matter of minutes.

MOTOVARIO Products

<p>HELICAL GEAR REDUCERS</p> <p>Cast iron or aluminum casing Output shaft up to 90 mm Mn₂ up to 8.600 Nm Reduction stages 1, 2, 3 Ratios up to 354 Atex units</p>	
<p>HELICAL BEVEL GEAR REDUCERS</p> <p>Cast iron or aluminum casing Output shaft up to 110 mm Mn₂ up to 14.000 Nm Reduction stages 2, 3 Ratios up to 443 Atex units</p>	
<p>SHAFT MOUNTED GEAR REDUCERS</p> <p>Cast iron Output shaft up to 60 mm Mn₂ up to 3.225 Nm Reduction stages 2, 3 Ratios up to 395 Atex units</p>	
<p>WORM GEAR REDUCERS</p> <p>Cast iron or aluminum casing Output shaft up to 50 mm Mn₂ up to 2.700 Nm Ratios up to 1083 Atex units</p>	
<p>PLANETARY GEARED UNITS</p> <p>Cast iron Output shaft up to 80 mm Mn₂ up to 10000 Nm Reduction stages 1, 2, 3, 4 Ratios up to 2700</p>	
<p>PARALLEL HELICAL AND BEVEL HELICAL GEAR REDUCERS FOR MIDDLE HEAVY INDUSTRY</p> <p>Cast iron casing Output shaft up to 180 mm Mn₂ up to 110.000 Nm Reduction stages 2, 3, 4 Ratios up to 431 Atex units</p>	

<p>MOTOVARIATORS AND MOTOVARIATOR-GEAR REDUCERS</p> <p>Cast iron or aluminum casing Mn₂ up to 5.000 Nm Atex units</p>	
<p>ELECTRIC MOTORS</p> <p>Power ratings up to 90 kW Poles 2, 4, 6 Three-phase and single-phase, built-in brake, dual polarity Protection class up to IP66</p>	
<p>SELF POWER® SELF-STARTING SYNCHRONOUS ELECTRIC MOTORS</p> <p>Power ratings up to 7,5 kW Poles 4 Three-phase, built-in brake Protection class up to IP66</p>	
<p>DRIVES</p> <p>DRIVON - motoinverter</p> <p>Three phase and single phase power supply High dynamics sensorless vectorial control Power ratings up to 5,5 kW Standard integrated STO Integrated field bus Optional field bus</p>	

1.3.1 Symbols

Physical dimension	Symbol	Symbol units of measure	Input	Output
Power	P	[kW]	P_1	P_2
Requested power	P_r	[kW]	P_{r1}	P_{r2}
Nominal power	P_n	[kW]	P_{n1}	P_{n2}
Torque	M	[Nm]	M_1	M_2
Nominal torque	M_n	[Nm]	/	M_{n2}
Requested torque	M_r	[Nm]	M_{r1}	M_{r2}
Speed	n	[rpm]	n_1	n_2
Force	F	[N]	/	/
Radial load admissible	F_r	[N]	F_{r1}	F_{r2}
Axial load admissible	F_a	[N]	F_{a1}	F_{a2}
Radial load resultant	F_{re}	[N]	/	/
Reduction ratio	i	[]	/	/
Dynamic efficiency	η_d	[]	/	/
Service factor	f.s.	[]	/	/
Life factor	F_h	[]	F_{h1}	F_{h2}
Corrective factor	f_h	[]	f_{h1}	f_{h2}
Static	s	[]	/	/
Dynamic	d	[]	/	/
Calculated	c	[]	/	/
Maximum	max	[]	/	/
Minimum	min	[]	/	/
Moment of inertia	J	[kgm ²]	J_1	J_2
Ambient temperature	T_{amb}	[°C]	/	/
Dimension		[mm]	/	/
Angular backlash	y	[arcmin]	y_1	y_2
Number of screw threads	Zl	[]	/	/
Lead angle	γ	[° ' '']	/	/
Axial module	M_x	[]	/	/
Dynamic efficiency of $n_1=1400$ rpm	$\eta_d(1400)$	[]	/	/
Static efficiency	η_s	[]	/	/

1.3.2 Formulas

REDUCER		
Starting or stopping time	$t = v / a$	[s]
Velocity in rotary motion	$v = \pi * d * n / 60$ $v = \omega * r$	[m/s]
Speed velocity Angular velocity	$n = 60 * v / (\pi * d)$ $\omega = v / r$	[rpm] [rad/s]
Acceleration or deceleration according to a starting / stopping time	$a = v / t$	[m/s ²]
Angular acceleration	$\alpha = n / (9,55 * t)$ $\alpha = \omega / t$	[rad/s ²]
Starting or stopping distance (according to acceleration / deceleration or angular velocity)	$s = a * t^2 / 2$ $s = v * t / 2$	[m]
Horizontal translation force	$F = \mu * m * g$	[N]
Vertical translation force (lifting)	$F = m * g$	
Inclined plane translation force	$F = m * g (\mu * \cos\beta + \sin\beta)$	
m= mass [kg]; g= gravity acceleration [m/s ²]; μ = friction coefficient; β = angle of inclination		
Moment of inertia	$J = m * v^2 / \omega^2$	[kgm ²]
Torque	$M = F * d / 2$ $M = J * \omega / t$	[Nm]

MOTOR and GEARMOTOR		
Starting time	$t_a = (J_{ext} + J_m) * n_n / 9,55 + (M_{peak} - M_r)$	[s]
Braking time	$t_s = (J_{ext} + J_m) * n_n / 9,55 + (M_{peak} + M_r)$	[s]
Motor rotation angle during starting	$\varphi = n_n * t_a / 19,1$	[rad]
Motor rotation angle during braking	$\varphi = n_n * t_s / 19,1$	[rad]
Power available at the shaft of single phase motor	$P = V * I * \eta * \cos\omega$	[W]
Power available at the shaft of three phase motor	$P = 1,73 * V * I * \eta * \cos\omega$	[W]

RUNNING at 60Hz		
Speed velocity at 60Hz	$n_{60Hz} = 1,2 * n_{50Hz}$	[rpm]
Power at 60Hz	$P_{1\ 60Hz} = P_{1\ 50Hz} * V_{60Hz} / V_{50Hz}$	[kW]
If input voltage at 60 Hz (V_{60Hz}) corresponds to winding voltage at 50 Hz (V_{50Hz}), power doesn't change $P_{1\ 60Hz} = P_{1\ 50Hz}$		
If input voltage at 60 Hz (V_{60Hz}) is 20% higher than winding voltage at 50 Hz (V_{50Hz}), power increases by 20% $P_{1\ 60Hz} = 1,2 P_{1\ 50Hz}$		
Torque at 60Hz	$M_{60Hz} = M_{50Hz} * P_{1\ 60Hz} / (1,2 * P_{1\ 50Hz})$	[Nm]
Service factor at 60Hz	$f.s_{60Hz} = f.s_{50Hz} * 1,175 * P_{1\ 50Hz} / P_{1\ 60Hz}$	-

For correctly selecting a gear reducer or geared motor, several essential pieces of data are required:

1. The rotational input speed to the gear reducer (n_1) and the rotational output speed (n_2). Through these two values it is possible to calculate the reduction ratio (i) of the gear reducer using the following formula: $i = n_1/n_2$
2. The torque required by the application (Mr_2).

The geared motor or gear reducer can be selected once this data is known.

This guide helps you to select the right product in just a few steps:

Geared motor selection

1. Determine the application's actual service factor (**s.f.**). This parameter depends on the type of load of the powered machine, the number of starts per hour and the hours of operation (refer to the "Service factor" paragraph).
2. Calculate the input power Pr_1 using the required torque value Mr_2 , the speed n_2 and dynamic efficiency value. $Pr_1 = (Mr_2 * n_2) / (9550 * \eta_d)$. The dynamic efficiency value depends on the type of gear reducer and on the number of gear reduction stages. (To calculate the efficiency value see its page).
3. Consult the geared motor performance tables and identify a nominal power value Pn_1 exceeding the required power Pr_1 , such that: $Pn_1 \geq Pr_1$
4. Once the suitable nominal power has been identified, select the geared motor capable of generating the rotational speed closest to the desired n_2 value and with service factor s.f. greater or equal to that required by the application.

In the geared motor selection tables the combinations include 2-pole, 4-pole and 6-pole motors powered at 50Hz.

Gear reducer selection

1. Determine the application's service factor (f_s) (consult to the "Service factor" paragraph on its page).
2. Calculate the reduction ratio i from the requested output speed n_2 and from the input speed n_1 . $i = n_1/n_2$
3. Calculate the torque M_{c2} for selecting the gear reducer through the torque required by the application Mr_2 and the service factor s.f.: $M_{c2} = Mr_2 * (f_s)$
4. Consult the Gear Reducer Performance tables looking for the reducer that, with the reduction ratio closer to the calculated one, has a nominal torque Mn_2 so that: $Mn_2 \geq M_{c2}$

Selection of gear reducers according to number of work cycles:

1. Determine the application's actual service factor (**s.f.**). This parameter depends on the type of load of the powered machine, the number of starts per hour and the hours of operation (refer to the "Service factor" paragraph).
2. Determine the duration of operation in hours hc for the application and, therefore, required of the gear reducer.
3. Calculate the torque M_{c2} for selecting the gear reducer through the torque required by the application Mr_2 and the service factor s.f.: $M_{c2} = Mr_2 * (f_s)$
4. Calculate the reduction ratio i from the requested output speed n_2 and from the input speed n_1 . $i = n_1/n_2$
5. Calculate the duration factor $Fh_2 = (n_2 * hc)$, which represents the envisaged number of work cycles, on the basis of the required output speed n_2 and the duration of operation h .
6. Consult the work cycle performance tables to find the gear reducer which, with the reduction ratio closest to the calculated one, has a rated torque Mn_2 whereby: $Mn_2 \geq M_{c2}$ and $(n_2 * h) \geq Fh_2$. The Duty Cycle Performance tables refer to both motor flange (HL) and solid input shaft (IHL) configurations: for the latter, check the availability of the ratio and applicable M_{2max} value in the IHL Gear Reducer Performance tables. If the M_{2max} value is lower than the value in the performance tables, always use M_{2max} as the highest value.

Checks

Once the gear reducer or geared motor has been selected, the following checks should be performed:

A. Thermal power

The gear reducer's thermal power must be equal to or greater than the installed mechanical power, or the power required by the application according to the indications contained in the section (refer to the "Thermal power" paragraph).

B. Maximum torque

It is the value of the output torque that the gear reducer withstands under static conditions and is intended as instantaneous load or starting torque under load. Check that the starting torque and instantaneous torque do not exceed the M_{2max} value in the table.

M _{2 max} [Nm]													
HPL 010		HPL 020		HPL 030		HPL 050		HPL 080		HPL 130		HPL 180	
CS SS HS	HM	CS SS HS	HM	CS SS HS	HM	CS SS HS	HM	CS SS HS	HM	CS SS HS	HM	CS SS HS	HM
2400	2400	3400	2400	5200	5200	8800	7500	14900	11100	21000	20100	29000	29000

In the ECE gearbox version, for the ratios in the tables below the M_{2max} values are those shown.

IHL 010	1				2	3	
i	4,32	5,37	7,38	9,30	11,8	87,4	188
M_{2max} [Nm]	790	990	1360	1710	2000	2000	2000

IHL 020	1		2
i	7,38	9,30	11,8
M_{2max} [Nm]	1360	1710	2120

IHL 030	1	2			
i	9,30	18,7	21,3	23,2	26,7
M_{2max} [Nm]	1710	3340	3810	4150	4780

IHL 050	2			
i	31,9	33,2	39,6	45,7
M_{2max} [Nm]	5700	5940	7090	8170

IHL 080	2		3	
i	55,4	69,8	79,3	83,5
M_{2max} [Nm]	9900	12470	13750	14480

IHL 130	3	
i	104	112
M_{2max} [Nm]	18030	19390

IHL 180	3		
i	140	151	162
M_{2max} [Nm]	24340	26240	28130

In the geared motor version, if the service factor is < 1.5 and the starting torque under load of the motor is $> 1.5 M_n$, please contact the MOTOVARIO TECHNICAL SERVICE.

C. Radial loads

1. Verify that the radial loads acting on the input and/or output shafts are within with the values indicated in the catalogue. If they exceed these values, increase the size of the gear reducer or modify the external load capacity. During the checking phase, it is important to remember that the values indicated in the catalogue refer to loads acting on the mid-point of the shaft protrusion, therefore, if the load is applied to a different position, appropriate formulas must be used to calculate the admissible load in the desired position (refer to the "Radial loads" paragraph).
2. If accessory output shafts are present, make sure that the applied load is compatible with shaft size. If help is needed: contact MOTOVARIO TECHNICAL SERVICE.

D. If an electric motor is going to be fitted to the selected gear reducer, check for its applicability by referring to the configuration table (see paragraph "Motor flange availability"). From IEC 180 motors, verify if necessary to support the motor with feet. In case of need please contact MOTOVARIO TECHNICAL SERVICE.

1.5.1 Service factor

The service factor required by application is defined by this formula $f_s = f_{sa} * f_{sb} * f_{sc}$ (see relevant tables).

It takes into account how heavy-duty the application is; it depends on operating conditions, inverter type and frequency of gear reducer starts. The service factor of a gear reducer is calculated by dividing its nominal power P_{n1} by installed power P_1 . The parameters that need to be taken into account in order to select the most suitable service factor are reported in tables f_{sa} , f_{sb} and f_{sc} .

Table f_{sa}

Nature of load applied	Daily operating hours [h/d]				
	2	4	8	16	24
Uniform	0,80	0,90	1,00	1,25	1,35
Moderate	1,00	1,20	1,30	1,60	1,80
Heavy	1,30	1,60	1,80	2,25	2,50

Table f_{sb}

Nature of load applied	Frequency of starts per hour [st/h]			
	< 6	6 ... 20	20 ... 60	60 ... 120
Uniform	1	1,25	1,35	1,5
Moderate	1	1,15	1,25	1,35
Heavy	1	1,05	1,15	1,25

Table f_{sc}

Type of motor used	f_{sc}
Electric motor	1,00
Reciprocating multiple-cylinder motor	1,25
Reciprocating single-cylinder motor	1,50

Table APPLICATION CLASSIFICATION

Application	Type of load
CONVEYORS (for heavy, not uniform loads)	
Scraper	Moderate
Belt	Moderate
Bucket	Moderate
Elevators (Redler)	Moderate
Roller	Moderate
For furnaces	Moderate
Reciprocating	Heavy
Oscillating	Heavy
Screw	Heavy
Application	Type of load
PUMPS	
Centrifugal	Moderate
Rotary (gear and screw) (for heavy, not uniform loads)	Uniform
Rotary (gear and screw) (variable density)	Moderate
Reciprocating	Uniform
Reciprocating double-acting multiple-cylinder	Moderate
Reciprocating single-cylinder	Heavy
Application	Type of load
MILLS	
Rotary ball	Heavy
Hammer	Heavy
Rolling	Heavy
Cement	Moderate
Application	Type of load
COMPRESSORS	
Centrifugal	Uniform
Sliding-vane positive-displacement	Moderate
Reciprocating multiple-cylinder	Moderate
Reciprocating single-cylinder	Heavy
Application	Type of load
BATCHERS	
Rotary	Moderate
Reciprocating, vibrating	Moderate

Application	Type of load
TEXTILE INDUSTRY	
Washing machines	Moderate
Rotary presses	Moderate
Carding machines	Moderate
Dyeing machines	Moderate
Looms	Moderate
Picking machines	Moderate
Spinning machines	Moderate

Application	Type of load
PAPER INDUSTRY	
Mixers (stirrers)	Moderate
Conveyor belts	Moderate
Drying cylinders	Moderate
Felt stretchers	Moderate
Rotary presses	Heavy
Presses	Heavy
Winders	Heavy

Application	Type of load
FOOD INDUSTRY	
Mixers	Moderate
Kneading machines	Moderate
Sugar beet cutters	Moderate
Meat grinders	Moderate

Application	Type of load
RUBBER AND PLASTIC MACHINES	
Mixers (palletizers)	Heavy
Rotary presses	Heavy
Mills (crushers)	Heavy
Tyre machines	Moderate

Application	Type of load
STIRRERS	
Variable-density	Moderate
Variable-density with suspended solids	Moderate

Table APPLICATION CLASSIFICATION

Application	Type of load
MACHINE TOOLS	
Punching presses	Heavy
Cutting	Heavy
Planers	Heavy
Main drives	Moderate
Auxiliary drives (feeders, workpieces, conveyor)	Uniform
Bending machines	Moderate
Application	Type of load
FANS (regular, balanced speed)	
Centrifugal	Uniform
Lightweight, small-diameter	Uniform
Cooling towers	Moderate
Large-diameter turbo fans (mining)	Moderate
Application	Type of load
CRANES AND STACKER CRANES	
Arm rotation	Uniform
Sideshifter	Moderate
Basket drive control	Heavy
Application	Type of load
CRUSHERS	
Ore	Moderate
Stone	Moderate
Application	Type of load
PACKAGING MACHINES	Uniform
Application	Type of load
WOOD WORKING	
Debarkers	Heavy

Application	Type of load
EXTRACTORS AND DREDGERS	
Rope winders	Moderate
Rail-mounted conveyors	Moderate
Pumps	Moderate
Stackers	Moderate
Material hoisting	Moderate
Bucket extractors	Heavy

Application	Type of load
METAL-WORKING	
Drawbenches	Heavy
Forging presses	Heavy
Cutting machines	Heavy
Rolling mills	Heavy

Application	Type of load
MIXERS	
Steady-density	Uniform
Variable-density	Moderate
For concrete	Moderate

Application	Type of load
ELEVATORS	
Hoists	Moderate
Lifts, ski lifts (cableways)	Heavy

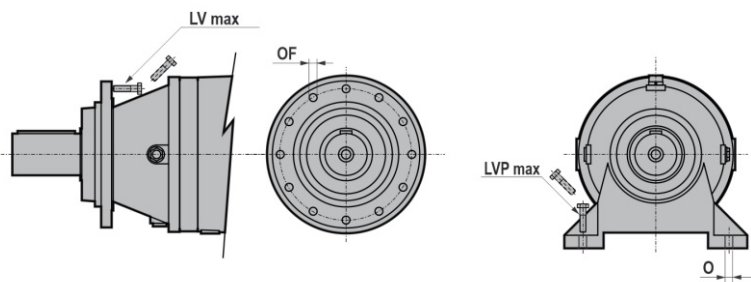
Application	Type of load
WASHING MACHINES AND PUMPS	Moderate

Application	Type of load
WATER TREATMENT	
Mud scraper machines	Moderate
Machines thickeners	Uniform
Sedimentation machines	Moderate
Machines digesters	Moderate
Machines augers	Moderate

1.6.1 Installation

To install the gear reducer it is necessary to note the following recommendations:

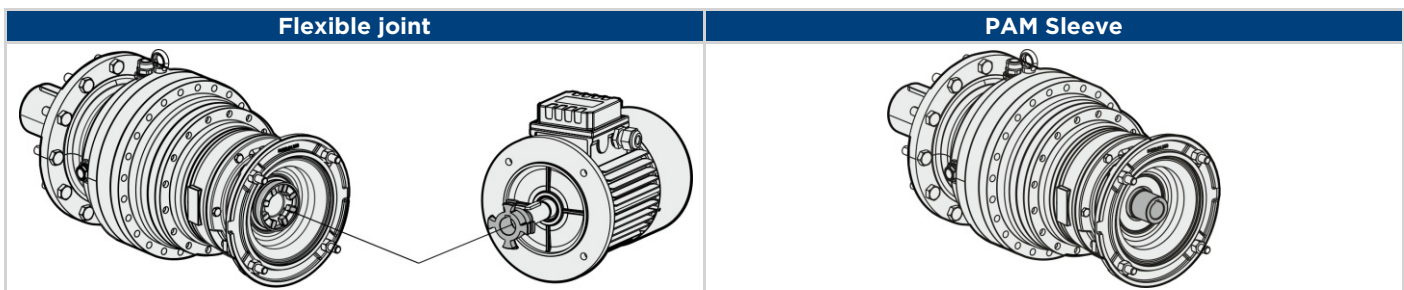
- Check the correct direction of rotation of the gear reducer output shaft before fitting the unit to the machine.
- In the case of particularly lengthy periods of storage (4/6 months), if the oil seal is not immersed in the lubricant inside the unit, it is recommended to change it since the rubber could stick to the shaft or may even have lost the elasticity it needs to function properly.
- Whenever possible, protect the gear reducer against solar radiation and bad weather.
- Ensure the motor cools correctly by ensuring good passage of air from the fan side.
- In the case of ambient temperatures < -15°C or > +50°C call MOTOVARIO TECHNICAL SERVICE.
- The various parts (pulleys, gear wheels, couplings, shafts, etc.) must be mounted on the solid or hollow shafts using special threaded holes or other systems that anyhow ensure correct operation without risking damage to the bearings or external parts of the units. Lubricate the surfaces in contact to avoid seizure or oxidation.
- Painting must definitely not go over rubber parts and the holes on the breather plugs, if any.
- For units equipped with oil plugs, replace the closed plug used for shipping with the special breather plug.
- Choose the most appropriate lubricant (see Lubrication chapter) and fill the gear reducer properly using the appropriate oil level plug.
- Starting must take place gradually, without immediately applying the maximum load.
- When there are parts, objects or materials under the motor drive that can be damaged by even limited spillage of oil, special protection should be fitted.
- To assemble sizes 010-130, use screws with maximum length as in the table.



HPL	LV max	OF	LVP max	O
010-020	M10x30	10,5 n°8	M16x75	17 n°4
030-050	M12x40	12,5 n°10	M16x90	18 n°4
080	M14x45	15 n°12	M20x70	22 n°4
130	M16x50	16,5 n°10	M24x70	26 n°4

Assembling motor on pam flange

When the unit is supplied without motor, it is necessary to follow these recommendation to ensure the correct assembly of the electric motor. Check that the tolerances for the motor shaft and flange correspond to the “standard”. Carefully clean the shaft, spigot and surfaces of the flange removing traces of paint and dirt, and confirm the key is fitted correctly. Fit the half coupling/sleeve to the motor shaft (see picture) taking care to ensure the motor shaft and bearings are not damaged by avoiding excessive force and where necessary using assembly equipment. Place the couplings elastic element onto the motor half coupling and position the motor up to the gear unit ensuring the coupling element is aligned with the driven half coupling. Complete the assembly using the fixing bolts. Key-ways with tightened tolerances.



MOTOVARIO products are supplied with the following surface treatment characteristics:

External ring gear in nitrided steel

Sun and planetary gears in case-hardened steel

High-resistance spheroidal cast-iron struts

Connection rings and planet-carriers in ductile iron or structural steel, depending on the size of the gear reducer

Versions available (output modules):

- Version for flange fastening;
- Root-mounting version, integral.

High-resistance spheroidal **cast-iron output module housings:**

- The castings are supplied protected by an antirust primer, in Black-Grey RAL 7021.

Input versions available:

- PAM flange for coupling with IEC motor;
- PAM flange for coupling with IEC motor with coupling;
- Compact gear motor;
- Input shaft.

Performance:

- Loading capacity verifiable in accordance with DIN 3990, ISO 6336, AGMA 2101, ISO 10300, DIN 3991, ISO 281, DIN 743.

Dynamic η :

- The efficiency is the ratio between the output power P_2 and the power absorbed by the gear reducer P_1 : $\eta = P_2/P_1$.

HPL-range helical gear reducers have an average value equal to:

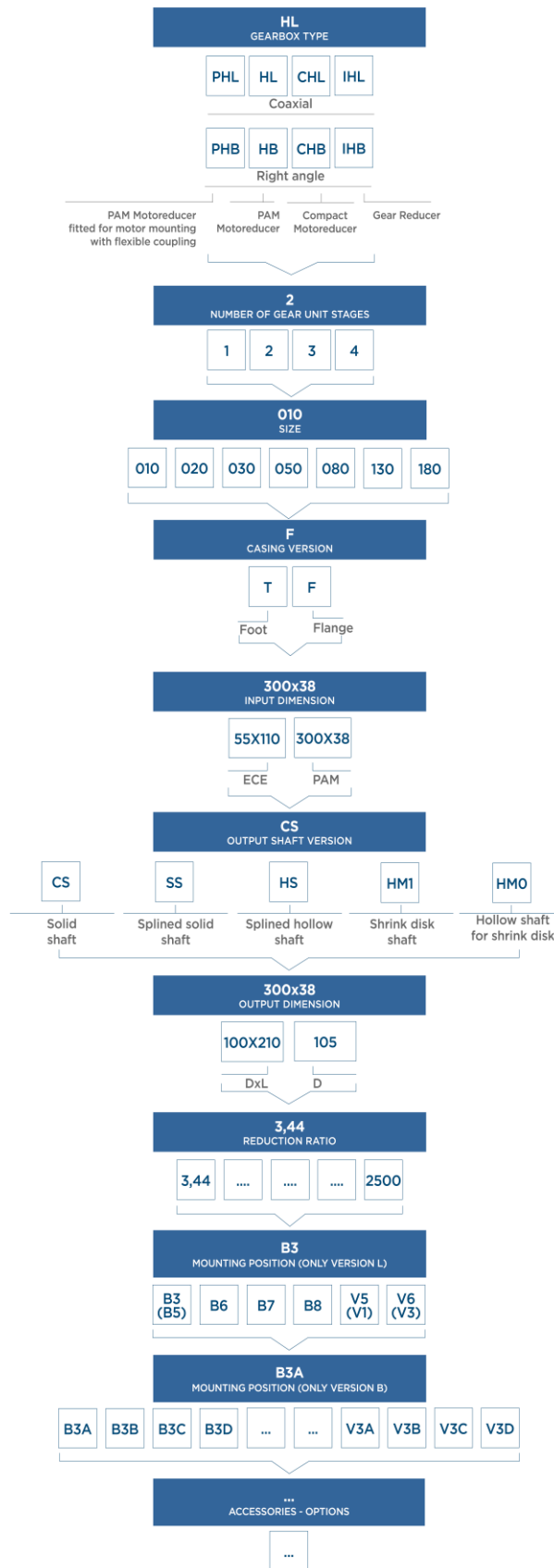
HPL..1 stages = 0,97

HPL..2 stages = 0,94

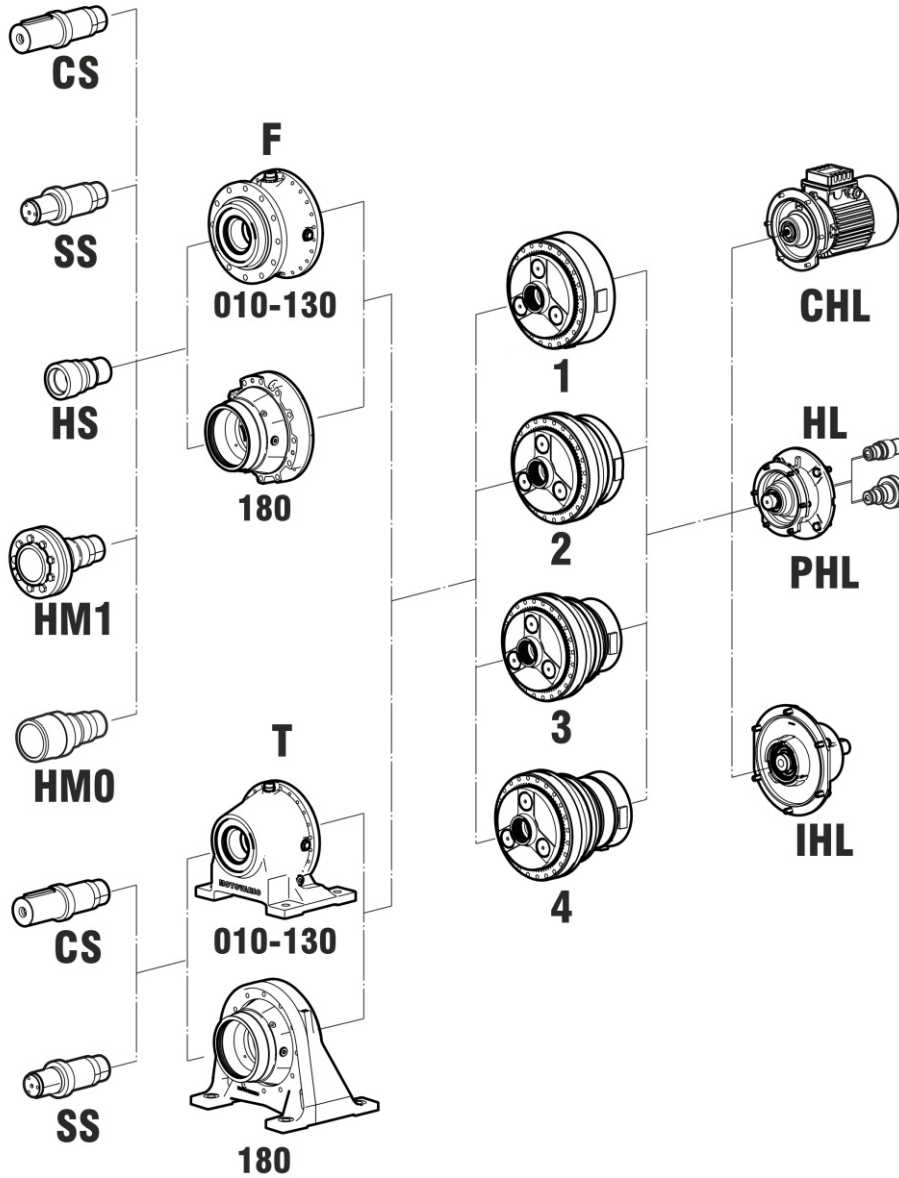
HPL..3 stages = 0,91

HPL..4 stages = 0,88

2.2.1 Designation



2.2.2 Versions



CS	Solid shaft
SS	Splined solid shaft
HS	Splined hollow shaft
HM1	Hollow shaft with shrink disk
HMO	Hollow shaft for shrink disk

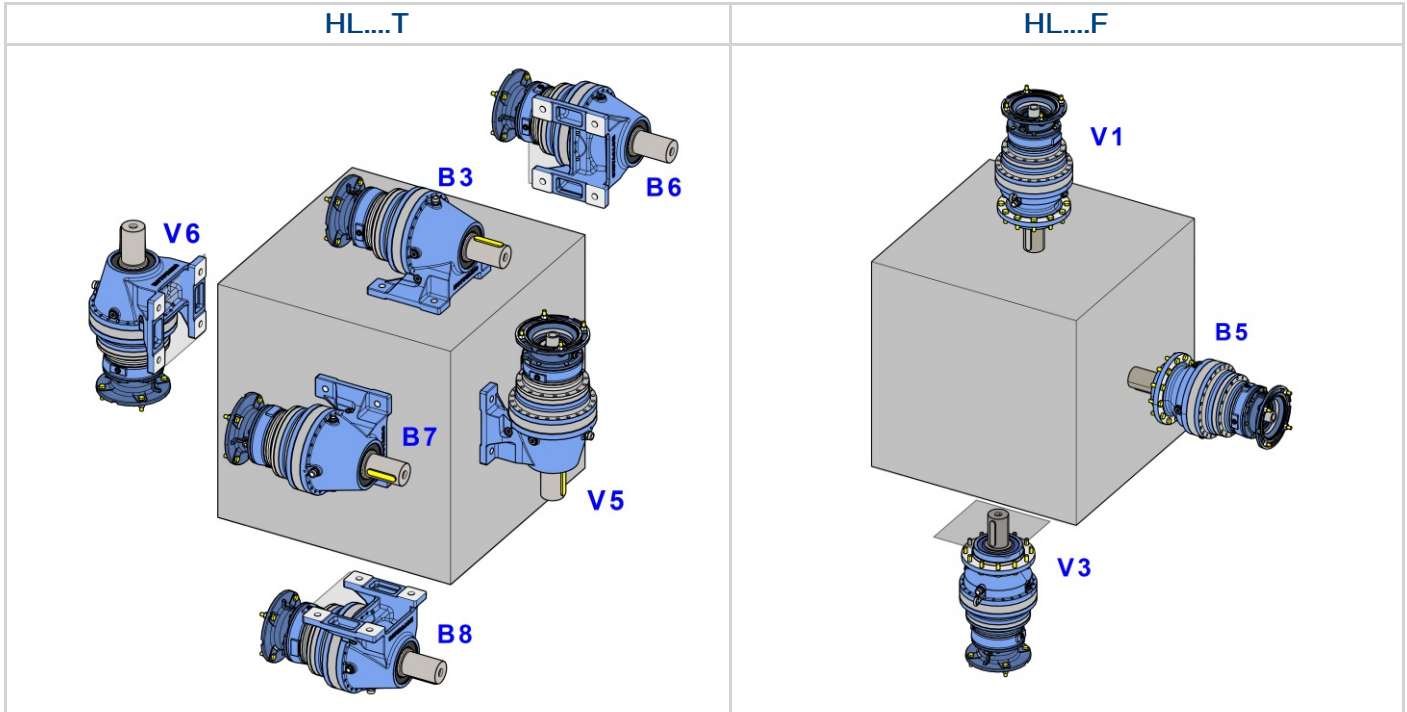
F	Flange
T	Foot

1	Number of gear unit stages
2	
3	
4	

CHL	Compact electric motor version
HL	Fitted for motor coupling version (PAM)
PHL	Fitted for motor mounting with flexible coupling
IHL	Input shaft version

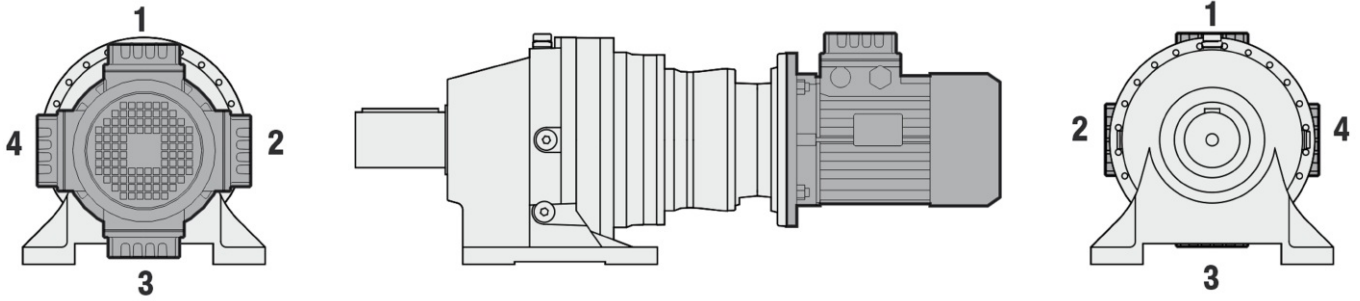
2.3.1 Mounting positions

The mounting position of the gear unit identifies its space orientation. B3 mounting position, as from a technical point of view, ensures lower oil splash, better lubrication and less heating.



2.3.2 Position of terminal box

Unless otherwise specified when ordering, the gear reducer is supplied with terminal box in position 1.



2.4.1 Information

The scheme below indicates the nominal thermal power Pth capacity [kW] according to the following conditions:

- mounting position B3
- continuous operation at input speed ≤ 1500 rpm
- environment temperature $T_{amb}=25^{\circ}\text{C}$
- sea level altitude
- air speed around the gear reducer $\geq 1\text{m/s}$
- absence of external radial and/or axial loads

n ₁ = 1500rpm							
	Pth [kW]		Pth [kW]		Pth [kW]		Pth [kW]
HPL 1-010	9,2	HPL 2-010	5,2	HPL 3-010	3,9	HPL 4-010	3,2
HPL 1-020	9,4	HPL 2-020	5,3	HPL 3-020	4	HPL 4-020	3,3
HPL 1-030	11,1	HPL 2-030	6,1	HPL 3-030	4,5	HPL 4-030	3,7
HPL 1-050	-	HPL 2-050	6,5	HPL 3-050	4,8	HPL 4-050	3,9
HPL 1-080	17,2	HPL 2-080	7,9	HPL 3-080	5,7	HPL 4-080	4,6
HPL 1-130	-	HPL 2-130	9,7	HPL 3-130	7	HPL 4-130	5,6
HPL 1-180	-	HPL 2-180	9,9	HPL 3-180	7,1	HPL 4-180	5,7

A correct lubrication and a proper running condition of the gearbox are guaranteed only applying an input power not exceeding Pth (at the above reference conditions)(T oil max=95°C).

2.4.2 Verification

Verification of the application

Except for continuous operating times below two hours and successive pauses capable of bringing the gear reducer back to ambient temperature, for each application it is peremptory to verify the gear reducer's thermal limit according to the following formula:

$P_1 < P_{th} * f_{ta} * f_{tc} * f_{tn} * f_{tv}$, where:

- P_1 = installed power [kW]
- P_{th} = thermal capacity under reference conditions [kW] (see table "Nominal thermal capacity");
- f_{ta} = sea-level elevation correction factor (see table);
- f_{tc} = ambient and operating temperature correction factor (see table);
- f_{tn} = input speed n_1 correction factor;
- f_{tv} = airflow speed correction factor around the gear reducer (see table).

Correction factors reflect operating conditions other than the reference conditions and are obtained from the following ISO14179 tables:

Table f_{ta}
Sea-level elevation correction factor

Altitude [m]	f_{ta}
0 - 1000	1
1000 - 2000	0,9
2000 - 3000	0,8
> 3000	*

Table f_{tc}
Ambient and operating temperature correction factor

Ambient temperature °C	F_c	% Duty per hour of operation				
		100	80	70	40	20
10	1,21	1,28	1,40	1,64	2,19	
20	1,07	1,13	1,23	1,45	1,93	
25	1,00	1,05	1,15	1,35	1,80	
30	0,93	0,98	1,07	1,25	1,67	
40	0,79	0,83	0,90	1,06	1,41	
45	0,71	0,75	0,82	0,96	1,29	
50	0,64	0,68	0,74	0,87	1,16	

Table f_{tn}
Input speed n_1 correction factor

f_{tn}	n_1 [rpm]							
	500	700	900	1150	1400	1750	2250	2800
B3/B5								
B6 - B7	1,73	1,41	1,3	1,16	1	0,81	0,65	0,5
B8								
V5/V1	1,3	1,16	1	0,81	0,65	0,5	0,4	0,25
V6/V3								

Table f_{tv}
Airflow speed correction factor around the gear reducer

Ventilation correction factor	f_{tv}
Stagnant air (<0,5 m/s)	0,75
Indoor installation with slight ventilation	1
Indoor installation with good ventilation (>1,4 m/s)	1,4
Outdoor installation (>3,7 m/s)	1,9

* Please contact MOTOVARIO TECHNICAL SERVICE.

In case of operation at input speeds exceeding 1800 rpm, or ambient temperatures greater than 40°C, please contact MOTOVARIO TECHNICAL SERVICE.

2.5.1 Critical applications

HPL	n_{1max} [rpm]			
	1s	2s	3s	4s
010	4000	4000	4000	4000
020	4000	4000	4000	4000
030	3800	4000	4000	4000
050	3800	4000	4000	4000
080	3000	3800	4000	4000
130	2500	3800	4000	4000
180	2000	3800	4000	4000

2.5.2 Information

The performance indicated in the catalogue correspond to position B3 or similar. For other mounting contexts and/or particular input and output speeds, please refer to the tables highlighting the main critical situations for each gear reducer size. It is also necessary to take due consideration of and carefully assess the following applications by contacting MOTOVARIO TECHNICAL ASSISTANCE:

- Use in services that could be hazardous for people if the gear reducer fails
- Use as a lifting winch.
- Use in places with Ambient T° below -15°C or over 50°C.
- Use in chemically-aggressive environments.
- Use in a brackish environments.
- Use in radioactive environments.
- Use in environments with pressures other than atmospheric pressure.
- Applications with especially high inertia.
- Applications with high dynamic strain on the casing of the gear reducer.
- Applications where even partial immersion of the gear reducer is required.
- Mounting positions not envisaged in the catalogue.

Pay particular attention in the following conditions:

- Avoid use as multiplier.
- Do not use in an environment with an explosive or potentially-explosive atmosphere.

In the presence of overloads due to starting at full load, braking, shocks or other static and dynamic causes, check that the peak torque is always lower than the maximum torque M_{2max} (see the table in the paragraph on Product Selection).

2.6 MOTOR FLANGE AVAILABILITY

B11 = Compact electric motor versions.

These tables report all possible dimensions. Please verify service factor.

HL 010

CHL - HL - PHL - CHB - HB - PHB 1-010							
i	071	080	090	100	112	132	160
3,44		B5-B11	B5-B11	B5-B11	B5-B11	B5-B11	B5
4,32	B5-B11	B5-B11	B5-B11	B5-B11	B5-B11	B5-B11	B5
5,37	B5-B11	B5-B11	B5-B11	B5-B11	B5-B11	B5-B11	B5
7,38	B5-B11	B5-B11	B5-B11	B5-B11	B5-B11	B5-B11	B5
9,3	B5-B11	B5-B11	B5-B11	B5-B11	B5-B11	B5-B11	B5

CHL - HL - PHL - CHB - HB - PHB 2-010							
i	071	080	090	100	112	132	160
11,8		B5-B11	B5-B11	B5-B11	B5-B11	B5-B11	B5
14,9		B5-B11	B5-B11	B5-B11	B5-B11	B5-B11	B5
18,7	B5-B11	B5-B11	B5-B11	B5-B11	B5-B11	B5-B11	B5
23,2	B5-B11	B5-B11	B5-B11	B5-B11	B5-B11	B5-B11	B5
28,8	B5-B11	B5-B11	B5-B11	B5-B11	B5-B11	B5-B11	B5
31,9	B5-B11	B5-B11	B5-B11	B5-B11	B5-B11	B5-B11	B5
39,6	B5-B11	B5-B11	B5-B11	B5-B11	B5-B11	B5-B11	B5
40,2	B5-B11	B5-B11	B5-B11	B5-B11	B5-B11	B5-B11	B5
49,9	B5-B11	B5-B11	B5-B11	B5-B11	B5-B11	B5-B11	B5
68,7	B5-B11	B5-B11	B5-B11	B5-B11	B5-B11	B5-B11	B5

CHL - HL - PHL - CHB - HB - PHB 3-010							
i	071	080	090	100	112	132	160
51,2		B5-B11	B5-B11	B5-B11	B5-B11	B5-B11	B5
64,2	B5-B11	B5-B11	B5-B11	B5-B11	B5-B11	B5-B11	B5
80,6	B5-B11	B5-B11	B5-B11	B5-B11	B5-B11	B5-B11	B5
87,4	B5-B11	B5-B11	B5-B11	B5-B11	B5-B11	B5-B11	B5
100	B5-B11	B5-B11	B5-B11	B5-B11	B5-B11	B5-B11	B5
110	B5-B11	B5-B11	B5-B11	B5-B11	B5-B11	B5-B11	B5
125	B5-B11	B5-B11	B5-B11	B5-B11	B5-B11	B5-B11	B5
138	B5-B11	B5-B11	B5-B11	B5-B11	B5-B11	B5-B11	B5
155	B5-B11	B5-B11	B5-B11	B5-B11	B5-B11	B5-B11	B5
174	B5-B11	B5-B11	B5-B11	B5-B11	B5-B11	B5-B11	B5
188	B5-B11	B5-B11	B5-B11	B5-B11	B5-B11	B5-B11	B5
216	B5-B11	B5-B11	B5-B11	B5-B11	B5-B11	B5-B11	B5
236	B5-B11	B5-B11	B5-B11	B5-B11	B5-B11	B5-B11	B5
297	B5-B11	B5-B11	B5-B11	B5-B11	B5-B11	B5-B11	B5
369	B5-B11	B5-B11	B5-B11	B5-B11	B5-B11	B5-B11	B5

CHL - HL - PHL - CHB - HB - PHB 4-010							
i	071	080	090	100	112	132	160
348	B5-B11	B5-B11	B5-B11	B5-B11	B5-B11	B5-B11	B5
433	B5-B11	B5-B11	B5-B11	B5-B11	B5-B11	B5-B11	B5
474	B5-B11	B5-B11	B5-B11	B5-B11	B5-B11	B5-B11	B5
538	B5-B11	B5-B11	B5-B11	B5-B11	B5-B11	B5-B11	B5
668	B5-B11	B5-B11	B5-B11	B5-B11	B5-B11	B5-B11	B5
740	B5-B11	B5-B11	B5-B11	B5-B11	B5-B11	B5-B11	B5
811	B5-B11	B5-B11	B5-B11	B5-B11	B5-B11	B5-B11	B5
919	B5-B11	B5-B11	B5-B11	B5-B11	B5-B11	B5-B11	B5
1018	B5-B11	B5-B11	B5-B11	B5-B11	B5-B11	B5-B11	B5
1158	B5-B11	B5-B11	B5-B11	B5-B11	B5-B11	B5-B11	B5
1265	B5-B11	B5-B11	B5-B11	B5-B11	B5-B11	B5-B11	B5
1439	B5-B11	B5-B11	B5-B11	B5-B11	B5-B11	B5-B11	B5
1593	B5-B11	B5-B11	B5-B11	B5-B11	B5-B11	B5-B11	B5
1740	B5-B11	B5-B11	B5-B11	B5-B11	B5-B11	B5-B11	B5
2162	B5-B11	B5-B11	B5-B11	B5-B11	B5-B11	B5-B11	B5
2723	B5-B11	B5-B11	B5-B11	B5-B11	B5-B11	B5-B11	B5

2.6 MOTOR FLANGE AVAILABILITY

HL 020

CHL - HL - PHL - CHB - HB - PHB 1-020				
i	100	112	132	160
3,44	B5-B11	B5-B11	B5-B11	B5
4,32	B5-B11	B5-B11	B5-B11	B5
5,37	B5-B11	B5-B11	B5-B11	B5
7,38	B5-B11	B5-B11	B5-B11	B5
9,3	B5-B11	B5-B11	B5-B11	B5

CHL - HL - PHL - CHB - HB - PHB 2-020							
i	071	080	090	100	112	132	160
11,8		B5-B11	B5-B11	B5-B11	B5-B11	B5-B11	B5
14,9		B5-B11	B5-B11	B5-B11	B5-B11	B5-B11	B5
18,7	B5-B11	B5-B11	B5-B11	B5-B11	B5-B11	B5-B11	B5
23,2	B5-B11	B5-B11	B5-B11	B5-B11	B5-B11	B5-B11	B5
28,8	B5-B11	B5-B11	B5-B11	B5-B11	B5-B11	B5-B11	B5
31,9	B5-B11	B5-B11	B5-B11	B5-B11	B5-B11	B5-B11	B5
39,6	B5-B11	B5-B11	B5-B11	B5-B11	B5-B11	B5-B11	B5
40,2	B5-B11	B5-B11	B5-B11	B5-B11	B5-B11	B5-B11	B5
49,9	B5-B11	B5-B11	B5-B11	B5-B11	B5-B11	B5-B11	B5
68,7	B5-B11	B5-B11	B5-B11	B5-B11	B5-B11	B5-B11	B5

CHL - HL - PHL - CHB - HB - PHB 3-020							
i	071	080	090	100	112	132	160
51,2		B5-B11	B5-B11	B5-B11	B5-B11	B5-B11	B5
64,2	B5-B11	B5-B11	B5-B11	B5-B11	B5-B11	B5-B11	B5
80,6	B5-B11	B5-B11	B5-B11	B5-B11	B5-B11	B5-B11	B5
87,4	B5-B11	B5-B11	B5-B11	B5-B11	B5-B11	B5-B11	B5
100	B5-B11	B5-B11	B5-B11	B5-B11	B5-B11	B5-B11	B5
110	B5-B11	B5-B11	B5-B11	B5-B11	B5-B11	B5-B11	B5
125	B5-B11	B5-B11	B5-B11	B5-B11	B5-B11	B5-B11	B5
138	B5-B11	B5-B11	B5-B11	B5-B11	B5-B11	B5-B11	B5
155	B5-B11	B5-B11	B5-B11	B5-B11	B5-B11	B5-B11	B5
174	B5-B11	B5-B11	B5-B11	B5-B11	B5-B11	B5-B11	B5
188	B5-B11	B5-B11	B5-B11	B5-B11	B5-B11	B5-B11	B5
216	B5-B11	B5-B11	B5-B11	B5-B11	B5-B11	B5-B11	B5
236	B5-B11	B5-B11	B5-B11	B5-B11	B5-B11	B5-B11	B5
297	B5-B11	B5-B11	B5-B11	B5-B11	B5-B11	B5-B11	B5
369	B5-B11	B5-B11	B5-B11	B5-B11	B5-B11	B5-B11	B5

CHL - HL - PHL - CHB - HB - PHB 4-020							
i	071	080	090	100	112	132	160
348	B5-B11	B5-B11	B5-B11	B5-B11	B5-B11	B5-B11	B5
433	B5-B11	B5-B11	B5-B11	B5-B11	B5-B11	B5-B11	B5
474	B5-B11	B5-B11	B5-B11	B5-B11	B5-B11	B5-B11	B5
538	B5-B11	B5-B11	B5-B11	B5-B11	B5-B11	B5-B11	B5
668	B5-B11	B5-B11	B5-B11	B5-B11	B5-B11	B5-B11	B5
740	B5-B11	B5-B11	B5-B11	B5-B11	B5-B11	B5-B11	B5
811	B5-B11	B5-B11	B5-B11	B5-B11	B5-B11	B5-B11	B5
919	B5-B11	B5-B11	B5-B11	B5-B11	B5-B11	B5-B11	B5
1018	B5-B11	B5-B11	B5-B11	B5-B11	B5-B11	B5-B11	B5
1158	B5-B11	B5-B11	B5-B11	B5-B11	B5-B11	B5-B11	B5
1265	B5-B11	B5-B11	B5-B11	B5-B11	B5-B11	B5-B11	B5
1439	B5-B11	B5-B11	B5-B11	B5-B11	B5-B11	B5-B11	B5
1593	B5-B11	B5-B11	B5-B11	B5-B11	B5-B11	B5-B11	B5
1740	B5-B11	B5-B11	B5-B11	B5-B11	B5-B11	B5-B11	B5
2162	B5-B11	B5-B11	B5-B11	B5-B11	B5-B11	B5-B11	B5
2723	B5-B11	B5-B11	B5-B11	B5-B11	B5-B11	B5-B11	B5

2.6 MOTOR FLANGE AVAILABILITY

HL 030

CHL - HL - PHL - CHB - HB - PHB 1-030				
i	100	112	132	160
3,44	B5-B11	B5-B11	B5-B11	
4,32	B5-B11	B5-B11	B5-B11	B5
5,37	B5-B11	B5-B11	B5-B11	B5
6,19	B5-B11	B5-B11	B5-B11	B5
7,38	B5-B11	B5-B11	B5-B11	B5
9,3	B5-B11	B5-B11	B5-B11	B5

CHL - HL - PHL - CHB - HB - PHB 2-030							
i	071	080	090	100	112	132	160
11,8		B5-B11	B5-B11	B5-B11	B5-B11	B5-B11	B5
14,9		B5-B11	B5-B11	B5-B11	B5-B11	B5-B11	B5
18,7	B5-B11	B5-B11	B5-B11	B5-B11	B5-B11	B5-B11	B5
21,3		B5-B11	B5-B11	B5-B11	B5-B11	B5-B11	B5
23,2	B5-B11	B5-B11	B5-B11	B5-B11	B5-B11	B5-B11	B5
26,7	B5-B11	B5-B11	B5-B11	B5-B11	B5-B11	B5-B11	B5
28,8	B5-B11	B5-B11	B5-B11	B5-B11	B5-B11	B5-B11	B5
31,9	B5-B11	B5-B11	B5-B11	B5-B11	B5-B11	B5-B11	B5
33,2	B5-B11	B5-B11	B5-B11	B5-B11	B5-B11	B5-B11	B5
39,6	B5-B11	B5-B11	B5-B11	B5-B11	B5-B11	B5-B11	B5
45,7	B5-B11	B5-B11	B5-B11	B5-B11	B5-B11	B5-B11	B5
57,5	B5-B11	B5-B11	B5-B11	B5-B11	B5-B11	B5-B11	B5

CHL - HL - PHL - CHB - HB - PHB 3-030							
i	071	080	090	100	112	132	160
51,2		B5-B11	B5-B11	B5-B11	B5-B11	B5-B11	B5
64,2		B5-B11	B5-B11	B5-B11	B5-B11	B5-B11	B5
73,3		B5-B11	B5-B11	B5-B11	B5-B11	B5-B11	B5
80,6	B5-B11	B5-B11	B5-B11	B5-B11	B5-B11	B5-B11	B5
92,0	B5-B11	B5-B11	B5-B11	B5-B11	B5-B11	B5-B11	B5
100	B5-B11	B5-B11	B5-B11	B5-B11	B5-B11	B5-B11	B5
114	B5-B11	B5-B11	B5-B11	B5-B11	B5-B11	B5-B11	B5
125	B5-B11	B5-B11	B5-B11	B5-B11	B5-B11	B5-B11	B5
138	B5-B11	B5-B11	B5-B11	B5-B11	B5-B11	B5-B11	B5
155	B5-B11	B5-B11	B5-B11	B5-B11	B5-B11	B5-B11	B5
171	B5-B11	B5-B11	B5-B11	B5-B11	B5-B11	B5-B11	B5
197	B5-B11	B5-B11	B5-B11	B5-B11	B5-B11	B5-B11	B5
216	B5-B11	B5-B11	B5-B11	B5-B11	B5-B11	B5-B11	B5
249	B5-B11	B5-B11	B5-B11	B5-B11	B5-B11	B5-B11	B5
293	B5-B11	B5-B11	B5-B11	B5-B11	B5-B11	B5-B11	B5
309	B5-B11	B5-B11	B5-B11	B5-B11	B5-B11	B5-B11	B5
369	B5-B11	B5-B11	B5-B11	B5-B11	B5-B11	B5-B11	B5
425	B5-B11	B5-B11	B5-B11	B5-B11	B5-B11	B5-B11	B5

CHL - HL - PHL - CHB - HB - PHB 4-030							
i	071	080	090	100	112	132	160
348	B5-B11	B5-B11	B5-B11	B5-B11	B5-B11	B5-B11	B5
433	B5-B11	B5-B11	B5-B11	B5-B11	B5-B11	B5-B11	B5
474	B5-B11	B5-B11	B5-B11	B5-B11	B5-B11	B5-B11	B5
538	B5-B11	B5-B11	B5-B11	B5-B11	B5-B11	B5-B11	B5
668	B5-B11	B5-B11	B5-B11	B5-B11	B5-B11	B5-B11	B5
740	B5-B11	B5-B11	B5-B11	B5-B11	B5-B11	B5-B11	B5
831	B5-B11	B5-B11	B5-B11	B5-B11	B5-B11	B5-B11	B5
919	B5-B11	B5-B11	B5-B11	B5-B11	B5-B11	B5-B11	B5
1018	B5-B11	B5-B11	B5-B11	B5-B11	B5-B11	B5-B11	B5
1143	B5-B11	B5-B11	B5-B11	B5-B11	B5-B11	B5-B11	B5
1265	B5-B11	B5-B11	B5-B11	B5-B11	B5-B11	B5-B11	B5
1439	B5-B11	B5-B11	B5-B11	B5-B11	B5-B11	B5-B11	B5
1593	B5-B11	B5-B11	B5-B11	B5-B11	B5-B11	B5-B11	B5
1740	B5-B11	B5-B11	B5-B11	B5-B11	B5-B11	B5-B11	B5
1979	B5-B11	B5-B11	B5-B11	B5-B11	B5-B11	B5-B11	B5
2191	B5-B11	B5-B11	B5-B11	B5-B11	B5-B11	B5-B11	B5
2281	B5-B11	B5-B11	B5-B11	B5-B11	B5-B11	B5-B11	B5
2492	B5-B11	B5-B11	B5-B11	B5-B11	B5-B11	B5-B11	B5
2723	B5-B11	B5-B11	B5-B11	B5-B11	B5-B11	B5-B11	B5

2.6 MOTOR FLANGE AVAILABILITY

HL 050

CHL - HL - PHL - CHB - HB - PHB 2-050				
	100	112	132	160
11,8	B5-B11	B5-B11	B5-B11	B5
14,9	B5-B11	B5-B11	B5-B11	B5
18,7	B5-B11	B5-B11	B5-B11	B5
21,3	B5-B11	B5-B11	B5-B11	B5
23,2	B5-B11	B5-B11	B5-B11	B5
26,7	B5-B11	B5-B11	B5-B11	B5
28,8	B5-B11	B5-B11	B5-B11	B5
31,9	B5-B11	B5-B11	B5-B11	B5
33,2	B5-B11	B5-B11	B5-B11	B5
39,6	B5-B11	B5-B11	B5-B11	B5
45,7	B5-B11	B5-B11	B5-B11	B5
57,5	B5-B11	B5-B11	B5-B11	B5

CHL - HL - PHL - CHB - HB - PHB 3-050							
i	071	080	090	100	112	132	160
51,2		B5-B11	B5-B11	B5-B11	B5-B11	B5-B11	B5
64,2		B5-B11	B5-B11	B5-B11	B5-B11	B5-B11	B5
73,3		B5-B11	B5-B11	B5-B11	B5-B11	B5-B11	B5
80,6	B5-B11	B5-B11	B5-B11	B5-B11	B5-B11	B5-B11	B5
92,0	B5-B11	B5-B11	B5-B11	B5-B11	B5-B11	B5-B11	B5
100	B5-B11	B5-B11	B5-B11	B5-B11	B5-B11	B5-B11	B5
114	B5-B11	B5-B11	B5-B11	B5-B11	B5-B11	B5-B11	B5
125	B5-B11	B5-B11	B5-B11	B5-B11	B5-B11	B5-B11	B5
138	B5-B11	B5-B11	B5-B11	B5-B11	B5-B11	B5-B11	B5
155	B5-B11	B5-B11	B5-B11	B5-B11	B5-B11	B5-B11	B5
171	B5-B11	B5-B11	B5-B11	B5-B11	B5-B11	B5-B11	B5
197	B5-B11	B5-B11	B5-B11	B5-B11	B5-B11	B5-B11	B5
216	B5-B11	B5-B11	B5-B11	B5-B11	B5-B11	B5-B11	B5
249	B5-B11	B5-B11	B5-B11	B5-B11	B5-B11	B5-B11	B5
293	B5-B11	B5-B11	B5-B11	B5-B11	B5-B11	B5-B11	B5
309	B5-B11	B5-B11	B5-B11	B5-B11	B5-B11	B5-B11	B5
369	B5-B11	B5-B11	B5-B11	B5-B11	B5-B11	B5-B11	B5
425	B5-B11	B5-B11	B5-B11				

CHL - HL - PHL - CHB - HB - PHB 4-050							
i	071	080	090	100	112	132	160
348	B5-B11	B5-B11	B5-B11	B5-B11	B5-B11	B5-B11	B5
433	B5-B11	B5-B11	B5-B11	B5-B11	B5-B11	B5-B11	B5
474	B5-B11	B5-B11	B5-B11	B5-B11	B5-B11	B5-B11	B5
538	B5-B11	B5-B11	B5-B11	B5-B11	B5-B11	B5-B11	B5
668	B5-B11	B5-B11	B5-B11	B5-B11	B5-B11	B5-B11	B5
740	B5-B11	B5-B11	B5-B11	B5-B11	B5-B11	B5-B11	B5
831	B5-B11	B5-B11	B5-B11	B5-B11	B5-B11	B5-B11	B5
919	B5-B11	B5-B11	B5-B11	B5-B11	B5-B11	B5-B11	B5
1018	B5-B11	B5-B11	B5-B11	B5-B11	B5-B11	B5-B11	B5
1143	B5-B11	B5-B11	B5-B11	B5-B11	B5-B11	B5-B11	B5
1265	B5-B11	B5-B11	B5-B11	B5-B11	B5-B11	B5-B11	B5
1439	B5-B11	B5-B11	B5-B11	B5-B11	B5-B11	B5-B11	B5
1593	B5-B11	B5-B11	B5-B11	B5-B11	B5-B11	B5-B11	B5
1740	B5-B11	B5-B11	B5-B11	B5-B11	B5-B11	B5-B11	B5
1979	B5-B11	B5-B11	B5-B11	B5-B11	B5-B11	B5-B11	B5
2191	B5-B11	B5-B11	B5-B11	B5-B11	B5-B11	B5-B11	B5
2281	B5-B11	B5-B11	B5-B11	B5-B11	B5-B11	B5-B11	B5
2492	B5-B11	B5-B11	B5-B11	B5-B11	B5-B11	B5-B11	B5
2723	B5-B11	B5-B11	B5-B11	B5-B11	B5-B11	B5-B11	B5

2.6 MOTOR FLANGE AVAILABILITY

HL 080

CHL - HL - PHL - CHB - HB - PHB 1-080	
i	200
7,5	B5

CHL - HL - PHL - CHB - HB - PHB 2-080				
	100	112	132	160
12,4	B5-B11	B5-B11	B5-B11	
14,6	B5-B11	B5-B11	B5-B11	
18,4	B5-B11	B5-B11	B5-B11	B5
22,8	B5-B11	B5-B11	B5-B11	B5
26,3	B5-B11	B5-B11	B5-B11	B5
28,6	B5-B11	B5-B11	B5-B11	B5
33,0	B5-B11	B5-B11	B5-B11	B5
38,4	B5-B11	B5-B11	B5-B11	B5
45,8	B5-B11	B5-B11	B5-B11	B5
55,4	B5-B11	B5-B11	B5-B11	B5
69,8	B5-B11	B5-B11	B5-B11	B5

CHL - HL - PHL - CHB - HB - PHB 3-080							
i	071	080	090	100	112	132	160
53,5		B5-B11	B5-B11	B5-B11	B5-B11	B5-B11	B5
63,2		B5-B11	B5-B11	B5-B11	B5-B11	B5-B11	B5
79,3	B5-B11	B5-B11	B5-B11	B5-B11	B5-B11	B5-B11	B5
83,5	B5-B11	B5-B11	B5-B11	B5-B11	B5-B11	B5-B11	B5
90,5		B5-B11	B5-B11	B5-B11	B5-B11	B5-B11	B5
98,6	B5-B11	B5-B11	B5-B11	B5-B11	B5-B11	B5-B11	B5
114	B5-B11	B5-B11	B5-B11	B5-B11	B5-B11	B5-B11	B5
122	B5-B11	B5-B11	B5-B11	B5-B11	B5-B11	B5-B11	B5
143	B5-B11	B5-B11	B5-B11	B5-B11	B5-B11	B5-B11	B5
168	B5-B11	B5-B11	B5-B11	B5-B11	B5-B11	B5-B11	B5
194	B5-B11	B5-B11	B5-B11	B5-B11	B5-B11	B5-B11	B5
211	B5-B11	B5-B11	B5-B11	B5-B11	B5-B11	B5-B11	B5
232	B5-B11	B5-B11	B5-B11	B5-B11	B5-B11	B5-B11	B5
244	B5-B11	B5-B11	B5-B11	B5-B11	B5-B11	B5-B11	B5
266	B5-B11	B5-B11	B5-B11	B5-B11	B5-B11	B5-B11	B5
291	B5-B11	B5-B11	B5-B11	B5-B11	B5-B11	B5-B11	B5
307	B5-B11	B5-B11	B5-B11	B5-B11	B5-B11	B5-B11	B5
357	B5-B11	B5-B11	B5-B11	B5-B11	B5-B11	B5-B11	B5
409	B5-B11	B5-B11	B5-B11	B5-B11	B5-B11	B5-B11	B5

CHL - HL - PHL - CHB - HB - PHB 4-080							
i	071	080	090	100	112	132	160
395	B5-B11	B5-B11	B5-B11	B5-B11	B5-B11	B5-B11	B5
467	B5-B11	B5-B11	B5-B11	B5-B11	B5-B11	B5-B11	B5
529	B5-B11	B5-B11	B5-B11	B5-B11	B5-B11	B5-B11	B5
586	B5-B11	B5-B11	B5-B11	B5-B11	B5-B11	B5-B11	B5
658	B5-B11	B5-B11	B5-B11	B5-B11	B5-B11	B5-B11	B5
728	B5-B11	B5-B11	B5-B11	B5-B11	B5-B11	B5-B11	B5
825	B5-B11	B5-B11	B5-B11	B5-B11	B5-B11	B5-B11	B5
905	B5-B11	B5-B11	B5-B11	B5-B11	B5-B11	B5-B11	B5
1001	B5-B11	B5-B11	B5-B11	B5-B11	B5-B11	B5-B11	B5
1139	B5-B11	B5-B11	B5-B11	B5-B11	B5-B11	B5-B11	B5
1261	B5-B11	B5-B11	B5-B11	B5-B11	B5-B11	B5-B11	B5
1429	B5-B11	B5-B11	B5-B11	B5-B11	B5-B11	B5-B11	B5
1567	B5-B11	B5-B11	B5-B11	B5-B11	B5-B11	B5-B11	B5
1800	B5-B11	B5-B11	B5-B11	B5-B11	B5-B11	B5-B11	B5
2092	B5-B11	B5-B11	B5-B11	B5-B11	B5-B11	B5-B11	B5
2266	B5-B11	B5-B11	B5-B11	B5-B11	B5-B11	B5-B11	B5
2497	B5-B11	B5-B11	B5-B11	B5-B11	B5-B11	B5-B11	B5
2705	B5-B11	B5-B11	B5-B11	B5-B11	B5-B11	B5-B11	B5

2.6 MOTOR FLANGE AVAILABILITY

HL 130

CHL - HL - PHL - CHB - HB - PHB 2-130	
	160
38,8	B5
46,0	B5

CHL - HL - PHL - CHB - HB - PHB 3-130						
i	080	090	100	112	132	160
48,4			B5-B11	B5-B11	B5-B11	B5
60,8			B5-B11	B5-B11	B5-B11	B5
76,3			B5-B11	B5-B11	B5-B11	B5
78,0			B5-B11	B5-B11	B5-B11	B5
94,9			B5-B11	B5-B11	B5-B11	B5
104		B5-B11	B5-B11	B5-B11	B5-B11	B5
112			B5-B11	B5-B11	B5-B11	B5
122			B5-B11	B5-B11	B5-B11	B5
140			B5-B11	B5-B11	B5-B11	B5
151			B5-B11	B5-B11	B5-B11	B5
162	B5-B11	B5-B11	B5-B11	B5-B11	B5-B11	B5
187	B5-B11	B5-B11	B5-B11	B5-B11	B5-B11	B5
208	B5-B11	B5-B11	B5-B11	B5-B11	B5-B11	B5
223	B5-B11	B5-B11	B5-B11	B5-B11	B5-B11	B5
240	B5-B11	B5-B11	B5-B11	B5-B11	B5-B11	B5
286		B5-B11	B5-B11	B5-B11	B5-B11	B5
340	B5-B11	B5-B11	B5-B11	B5-B11	B5-B11	B5

CHL - HL - PHL - CHB - HB - PHB 4-130							
i	071	080	090	100	112	132	160
330	B5-B11	B5-B11	B5-B11	B5-B11	B5-B11	B5-B11	B5
358	B5-B11	B5-B11	B5-B11	B5-B11	B5-B11	B5-B11	B5
410	B5-B11	B5-B11	B5-B11	B5-B11	B5-B11	B5-B11	B5
449	B5-B11	B5-B11	B5-B11	B5-B11	B5-B11	B5-B11	B5
509	B5-B11	B5-B11	B5-B11	B5-B11	B5-B11	B5-B11	B5
564	B5-B11	B5-B11	B5-B11	B5-B11	B5-B11	B5-B11	B5
633	B5-B11	B5-B11	B5-B11	B5-B11	B5-B11	B5-B11	B5
701	B5-B11	B5-B11	B5-B11	B5-B11	B5-B11	B5-B11	B5
812	B5-B11	B5-B11	B5-B11	B5-B11	B5-B11	B5-B11	B5
899	B5-B11	B5-B11	B5-B11	B5-B11	B5-B11	B5-B11	B5
964	B5-B11	B5-B11	B5-B11	B5-B11	B5-B11	B5-B11	B5
1132	B5-B11	B5-B11	B5-B11	B5-B11	B5-B11	B5-B11	B5
1237	B5-B11	B5-B11	B5-B11	B5-B11	B5-B11	B5-B11	B5
1407	B5-B11	B5-B11	B5-B11	B5-B11	B5-B11	B5-B11	B5
1558	B5-B11	B5-B11	B5-B11	B5-B11	B5-B11	B5-B11	B5
1771	B5-B11	B5-B11	B5-B11	B5-B11	B5-B11	B5-B11	B5
1936	B5-B11	B5-B11	B5-B11	B5-B11	B5-B11	B5-B11	B5
2509	B5-B11	B5-B11	B5-B11	B5-B11	B5-B11	B5-B11	B5

2.6 MOTOR FLANGE AVAILABILITY

HL 180

CHL - HL - PHL - CHB - HB - PHB 3-180						
i	080	090	100	112	132	160
48,4			B5-B11	B5-B11	B5-B11	B5
60,8			B5-B11	B5-B11	B5-B11	B5
76,3			B5-B11	B5-B11	B5-B11	B5
78,0			B5-B11	B5-B11	B5-B11	B5
94,9			B5-B11	B5-B11	B5-B11	B5
98,0			B5-B11	B5-B11	B5-B11	B5
112			B5-B11	B5-B11	B5-B11	B5
122			B5-B11	B5-B11	B5-B11	B5
140			B5-B11	B5-B11	B5-B11	B5
151			B5-B11	B5-B11	B5-B11	B5
162	B5-B11	B5-B11	B5-B11	B5-B11	B5-B11	B5
174			B5-B11	B5-B11	B5-B11	B5
208	B5-B11	B5-B11	B5-B11	B5-B11	B5-B11	B5
240	B5-B11	B5-B11	B5-B11	B5-B11	B5-B11	B5
285	B5-B11	B5-B11	B5-B11	B5-B11	B5-B11	B5
340	B5-B11	B5-B11	B5-B11	B5-B11	B5-B11	B5

CHL - HL - PHL - CHB - HB - PHB 2-180	
	160
46,0	B5

CHL - HL - PHL - CHB - HB - PHB 4-180							
i	071	080	090	100	112	132	160
330	B5-B11	B5-B11	B5-B11	B5-B11	B5-B11	B5-B11	B5
410	B5-B11	B5-B11	B5-B11	B5-B11	B5-B11	B5-B11	B5
449	B5-B11	B5-B11	B5-B11	B5-B11	B5-B11	B5-B11	B5
509	B5-B11	B5-B11	B5-B11	B5-B11	B5-B11	B5-B11	B5
564	B5-B11	B5-B11	B5-B11	B5-B11	B5-B11	B5-B11	B5
654	B5-B11	B5-B11	B5-B11	B5-B11	B5-B11	B5-B11	B5
701	B5-B11	B5-B11	B5-B11	B5-B11	B5-B11	B5-B11	B5
812	B5-B11	B5-B11	B5-B11	B5-B11	B5-B11	B5-B11	B5
899	B5-B11	B5-B11	B5-B11	B5-B11	B5-B11	B5-B11	B5
980	B5-B11	B5-B11	B5-B11	B5-B11	B5-B11	B5-B11	B5
1132	B5-B11	B5-B11	B5-B11	B5-B11	B5-B11	B5-B11	B5
1237	B5-B11	B5-B11	B5-B11	B5-B11	B5-B11	B5-B11	B5
1407	B5-B11	B5-B11	B5-B11	B5-B11	B5-B11	B5-B11	B5
1558	B5-B11	B5-B11	B5-B11	B5-B11	B5-B11	B5-B11	B5
1771	B5-B11	B5-B11	B5-B11	B5-B11	B5-B11	B5-B11	B5
1936	B5-B11	B5-B11	B5-B11	B5-B11	B5-B11	B5-B11	B5
2509	B5-B11	B5-B11	B5-B11	B5-B11	B5-B11	B5-B11	B5

2.7 OUTPUT SHAFT BEARINGS

CS - SS						
HPL 010	HPL 020	HPL 030	HPL 050	HPL 080	HPL 130	HPL 180
Standard	Standard	Standard	Standard	Standard	Standard	Standard
2	2	2	2	2	2	2

HS - HM						
HPL 010	HPL 020	HPL 030	HPL 050	HPL 080	HPL 130	HPL 180
Standard	Standard	Standard	Standard	Standard	Standard	Standard
1	1	1	1	1	1	1

1 - Ball Bearing

2 - Roller bearings

/ - Not available

2.8.1 Information

The value of the admissible radial load [N] is given in the tables relating to the performance of the gear reducer at issue. It is related to the load applied on the centre line of the shaft and in the most unfavourable conditions of angle of application and direction of rotation. The admissible maximum axial loads are given in the table below for each direction of application of force. The admissible maximum value must never be exceeded. Up to 20% of the maximum axial load permitted under the conditions of application is admissible in the case of combined loads. Particular conditions of radial load higher than the limits of the catalogue may occur. In this case, call our Technical Service and provide details on the application: direction of the load, direction of rotation of the shaft, type of service. The radial load on the shaft is calculated with the following formula: $Fr_e = (2000 * M * fz) / D \leq Fr_1$ or Fr_2

- **Fr_e** [N] Resulting radial load
- **M** [Nm] Torque on the shaft
- **D** [mm] Diameter of the transmission member mounted on the shaft
- **Fr₁-Fr₂** [N] Value of the maximum admitted radial load (see relative tables)
- **fz** = 1,1 gear pinion - 1,4 chain wheel - 1,7 v-pulley - 2,5 flat pulley

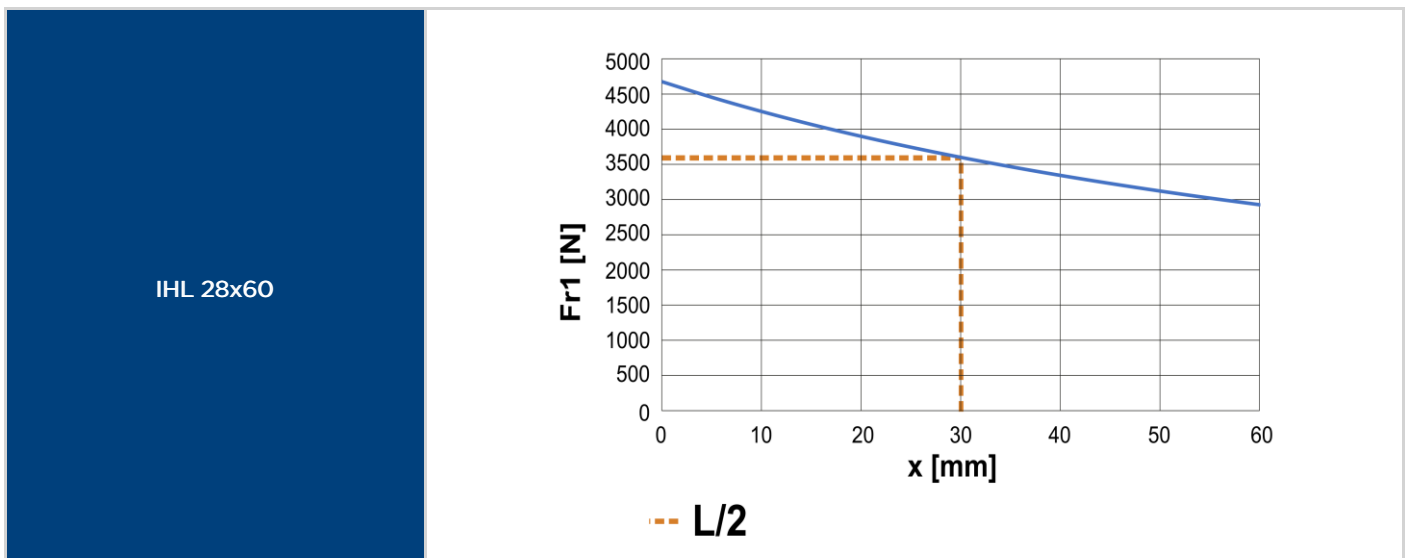
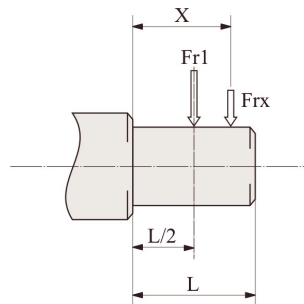
2.8.2 Input

When the radial load is on the centre line of the shaft:

IHL 28x60	3600 N
-----------	--------

When the radial load is not on the centre line of the shaft, it is necessary to light the admissible radial load Fr₁ with the following graph.

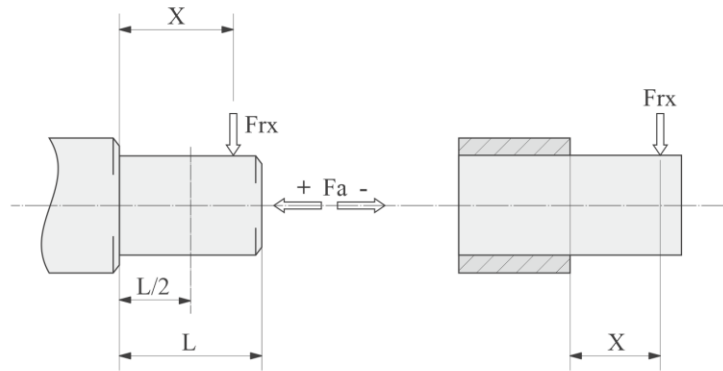
- **x** = distance from the point of application of the load to the shaft shoulder



2.8.3 Output - Radial/Axial load

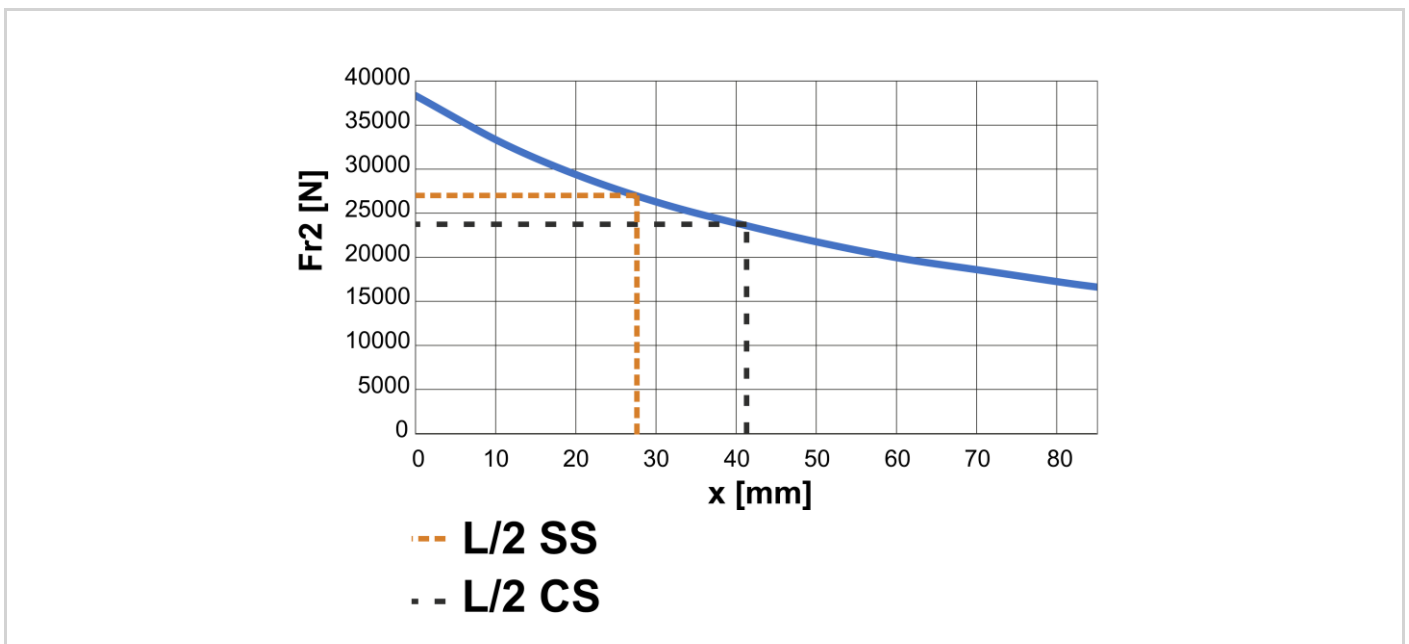
When the radial load is not on the centre line of the shaft, it is necessary to light the admissible radial load F_{r2} with the following graph.

- x = distance from the point of application of the load to the shaft shoulder



Allowable overhung and axial loads on the output shaft **Fh2:n2*h=100000**

010-020



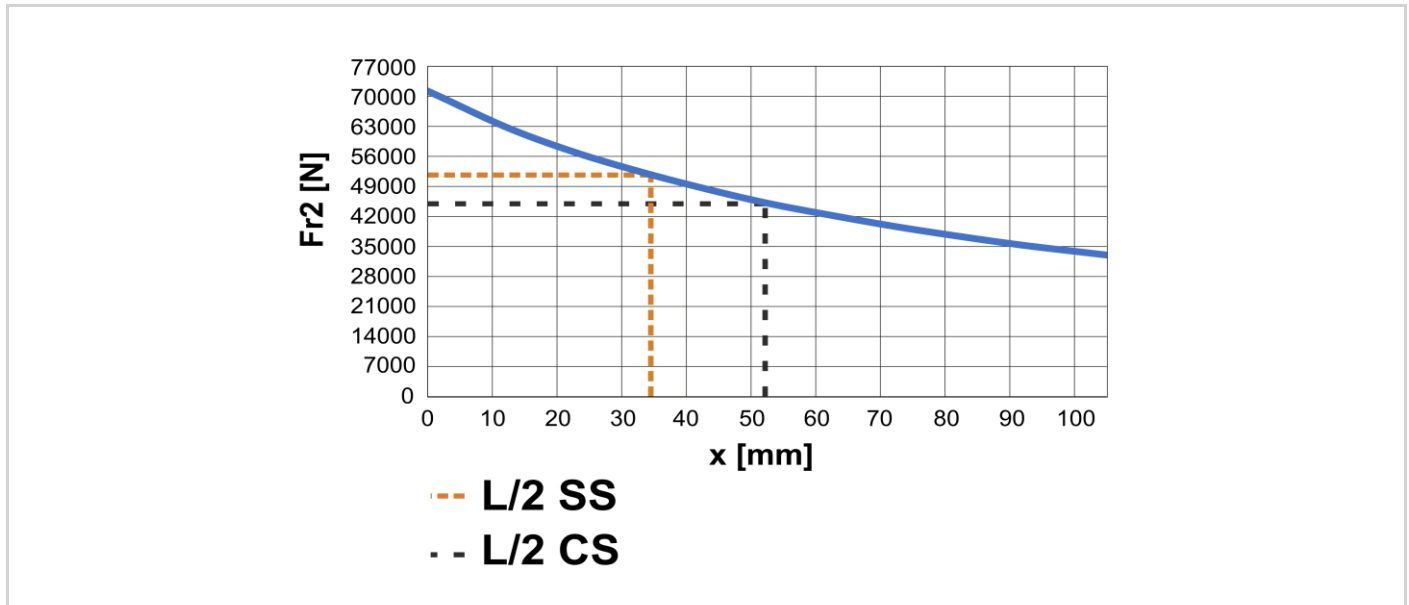
	$F_{a2} +$ [N]	$F_{a2} -$ [N]
CS - SS	20000	20000

For $F_{h2} \neq 100000$, multiply the radial or axial load by the coefficient f_{h2} .

Corrective factor f_{h2} for overhung and axial loads on shafts							
$F_{h2} = n2 \cdot h$	10000	25000	50000	100000	300000	500000	1000000
CS - SS	1,15	1,14	1,13	1	0,72	0,62	0,5

2.8 RADIAL LOAD

030-050



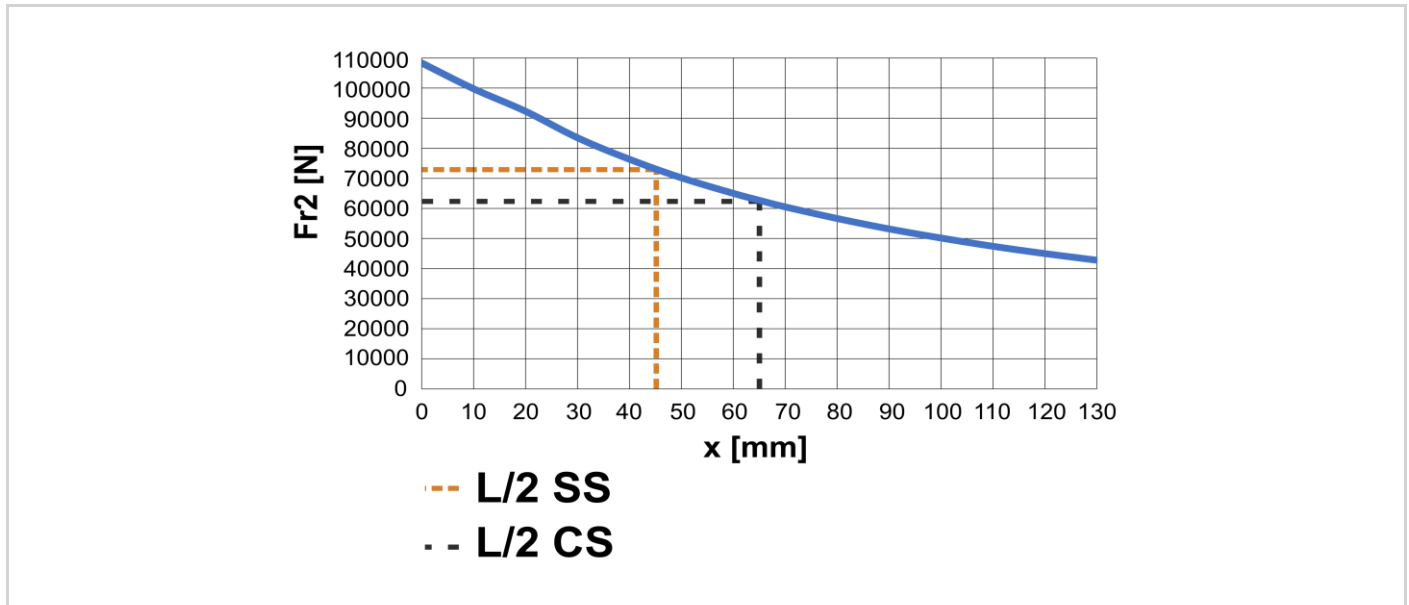
	Fa ₂ + [N]	Fa ₂ - [N]
CS - SS	27500	22000

For Fh₂ ≠ 100000, multiply the radial or axial load by the coefficient fh₂.

Corrective factor fh ₂ for overhung and axial loads on shafts							
Fh ₂ = n ² ·h	10000	25000	50000	100000	300000	500000	1000000
CS - SS	1,34	1,33	1,12	1	0,72	0,62	0,5

2.8 RADIAL LOAD

080

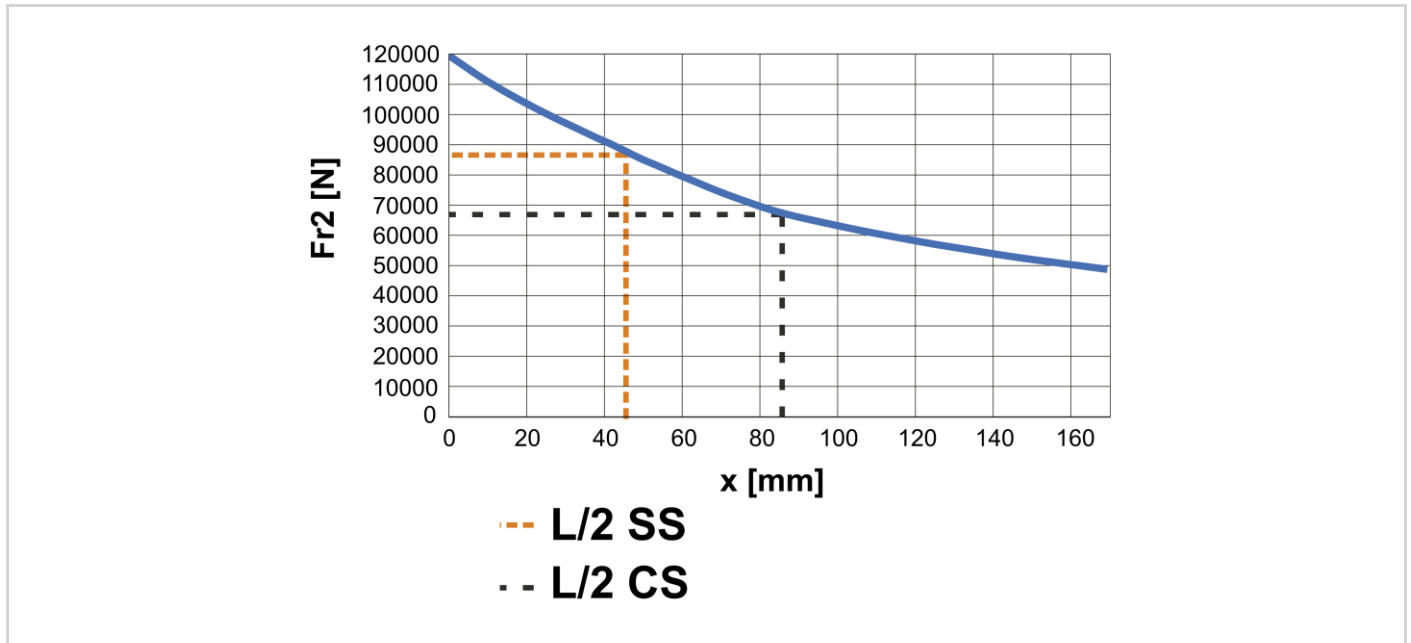


	Fa ₂ + [N]	Fa ₂ - [N]
CS - SS	60000	30000

For Fh₂ ≠ 100000, multiply the radial or axial load by the coefficient fh₂.

Corrective factor fh ₂ for overhung and axial loads on shafts							
Fh ₂ = n ² ·h	10000	25000	50000	100000	300000	500000	1000000
CS - SS	1,22	1,21	1,12	1	0,72	0,62	0,5

130



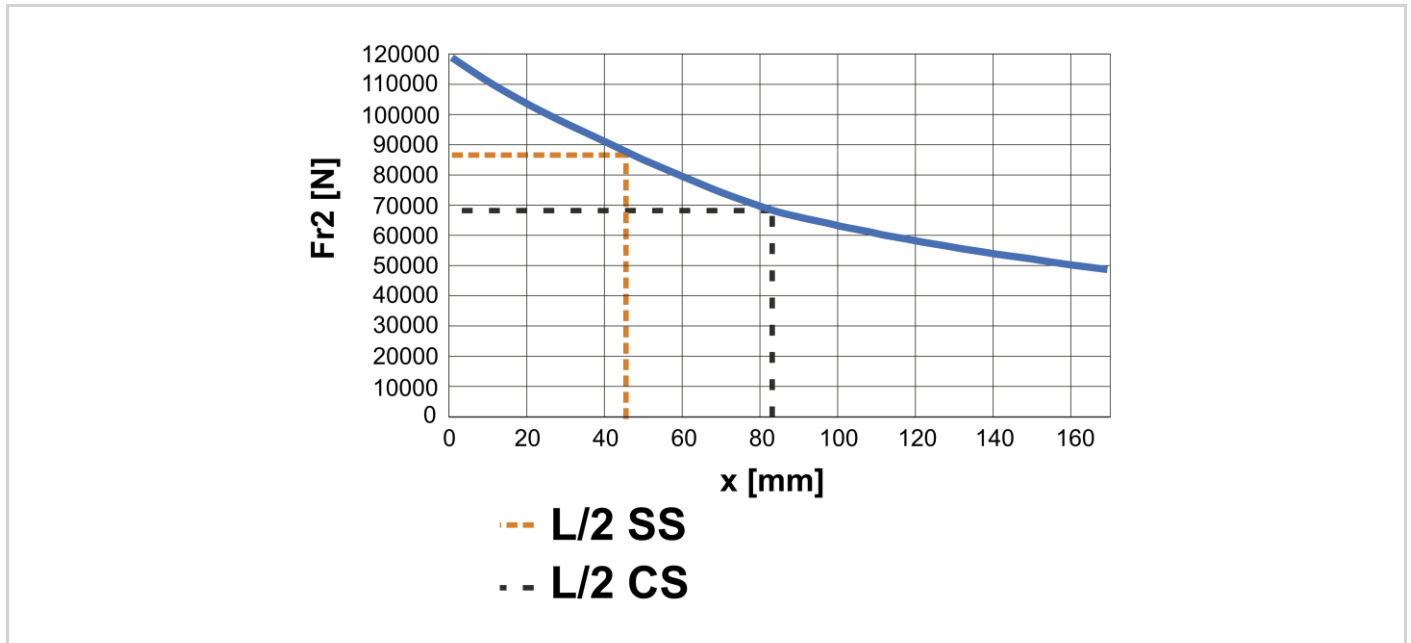
	Fa ₂ + [N]	Fa ₂ - [N]
CS - SS	80000	40000

For Fh₂ ≠ 100000, multiply the radial or axial load by the coefficient fh₂.

Corrective factor fh ₂ for overhung and axial loads on shafts							
Fh ₂ = n ₂ *h	10000	25000	50000	100000	300000	500000	1000000
CS - SS	1,49	1,48	1,23	1	0,72	0,62	0,5

2.8 RADIAL LOAD

180



	$F_{a2} +$ [N]	$F_{a2} -$ [N]
CS - SS	80000	40000

For $F_{h2} \neq 100000$, multiply the radial or axial load by the coefficient fh_2 .

Corrective factor fh_2 for overhung and axial loads on shafts							
$F_{h2} = n_2 \cdot h$	10000	25000	50000	100000	300000	500000	1000000
CS - SS	1,49	1,48	1,23	1	0,72	0,62	0,5

2.9.1 Information

Proper lubrication makes for:

- Lower friction;
- Less heating;
- Increased efficiency;
- Lower oil temperature;
- Less wear.

In cases of ambient temperatures not envisaged in the table, please contact MOTOVARIO TECHNICAL SERVICE. In the case of temperatures under -30°C or over 60°C it is necessary to use oil seals with special properties. For operating ranges with temperatures under 0°C it is necessary to consider the following:

1. The motors need to be suitable for operation at the envisaged ambient temperature.
2. The power of the electric motor needs to be adequate for exceeding the higher starting torques required.
3. Pay attention to impact loads since cast iron may have problems of fragility at temperatures under -15°C.
4. During the early stages of service, problems of lubrication may arise due to the high level of viscosity taken on by the oil and so it is wise to have a few minutes of rotation under no load.

For the recommended oil change frequencies, please refer to the Product Use and Maintenance Manual.

2.9.2 Lubricants

MOTOVARIO epicycloidal gear reducers in Series HPL have been designed for oil bath lubrication.

The **HPL** reducers are supplied without lubricant, whilst the initial fill of lubricant can be requested as an option when ordering.

In the event of a request for a gear reducer supplied complete with lubricant, this is to be established by MOTOVARIO and can be seen on the Order Confirmation and on the plate.

If different lubricants and/or lubricants with temperature ranges other than those recommended by MOTOVARIO are utilised, the warranty shall be void, with the exception of any authorisations provided in accordance with the applications and granted in writing.

The lubricants listed in the table must not be interpreted as a guarantee of quality, given that they are supplied by the lubricant manufacturer who remains responsible for their product.

Do not mix different synthetic lubricants with each other or even with the minerals! Additionally, lubricants with the same viscosity class yet produced by different manufacturers do not bear the same characteristics.

Choose the lubricant only after having conducted the necessary thermal check of the gear reducer (see the Thermal Power paragraph).

Specifications of LUBRICANTS RECOMMENDED BY MOTOVARIO

	* Polyalphaolefin synthetic oil (PAO)	Mineral oil
ENI	BLASIA SX	BLASIA
SHELL	OMALA S4 GXV	OMALA S2 GX
KLUBER	Klubersynth GEM 4-...N	Kluberoil GEM 1-...N
MOBIL	SHC GEAR	MOBILGEAR XMP
CASTROL	ALPHASYN T	ALPHA SP
BP	ENERSYN EPX	ENERGOL GR-XP
TOTAL	CARTER SH	CARTER EP
ESSO	SPARTAN S-EP	SPARTAN EP

* Recommended

n ₂	Oil	ISO 3448 VG	T _{amb} °C														
			-15	-10	-5	0	5	10	15	20	25	30	35	40	45	50	
n ₂ > 150 rpm	PAO	150															
	MIN	220															
n ₂ ≥ 5 rpm	PAO	220															
	PAO	320															
n ₂ < 5 rpm (*)	MIN	320															
	MIN	460															

n₂ - Output speed.

Oil - Oil type.

ISO 3448 VG - Viscosity grades.

T_{amb} °C - Ambient operating temperature.

	<p>Unsuitable Temperature Range for typical oil viscosity:</p> <ul style="list-style-type: none"> - always choose a lubricant with a declared pour point of at least 10 °C lower than the assumed minimum T_{amb}; - if this oil must be used within the unsuitable temperature range, contact Motovario Technical Assistance. Alternatively, to extend the oil temperature range, use external heating devices provided by the Customer with a suitable temperature control system to keep the gear reducer under normal operating conditions.
	<p>Critical Temperature Range based on typical oil viscosity:</p> <ul style="list-style-type: none"> - choose a lubricant with a declared pour point of at least 10 °C lower than the assumed minimum T_{amb}; - perform a soft start with partial load (do not exceed 30% of the nominal load) until the Gear Reducer Temperature Range T_{rid} equal to the Normal Ambient Temperature range T_{amb} for the chosen oil is reached; - higher power input is expected when starting.
	<p>Normal ambient Temperature Range for typical oil viscosity.</p>
	<p>Critical Temperature Range for the gear reducer for typical oil viscosity:</p> <ul style="list-style-type: none"> - check that the chosen oil has a kinematic viscosity of at least 30 cSt at 100 °C (usually indicated on the oil technical data sheet); - use service factor fs > 1.25 in the presence of a constant M₂ (S1), and in any case apply a safeguard against the assumed maximum load during operation in the presence of a load cycle so that M_{2peak} < M₂*1.5.

Output speed	Oil type	Viscosity grade ISO 3448 VG	S1 operation	Maximum gear reducer casing temperature (T _{rid max}) [°C]	
				Operation for intermittent service and/or FS>1.5	
n ₂ > 150 rpm	PAO	150	60	70	
	MIN	220	55	70	
n ₂ ≥ 5 rpm	PAO	220	70	80	
	PAO	320	80	95	
n ₂ < 5 rpm (*)	MIN	320	65	80	
	PAO	320	65	90	
	MIN	460	65	85	

(*) If the gear reducer is used in continuous service (S1), check the following:

- choose an oil with a declared pour point of at least 50 °C lower than the assumed minimum T_{amb};
- perform a soft start with partial load (do not exceed 30% of the nominal torque Mn₂) until a gear reducer casing temperature range T_{rid} equal to the Normal Temperature range for the chosen oil is reached;
- higher power input is expected when starting;
- be careful of overheating in continuous operation;
- check that the chosen oil has a kinematic viscosity of at least 30 cSt at 100 °C (normally indicated on the oil technical data sheet).

2.9.3 Special lubricants

If 'special' lubricant is required please contact MOTOVARIO TECHNICAL SERVICE.

2.9.4 Quantity

For the gear reducers of the HPL series, the expected mounting position must be always specified. The amount of oil in the table are indicative only and for the proper topping up you will have to refer to the level cap or the dipstick, if any. Any deviations in level can depend on construction tolerances, transmission ratio but also on the placement on the unit or by the mounting surface at the customers' premises. For this reason it is appropriate that the customer checks and, if necessary, restores the level when the unit is installed.

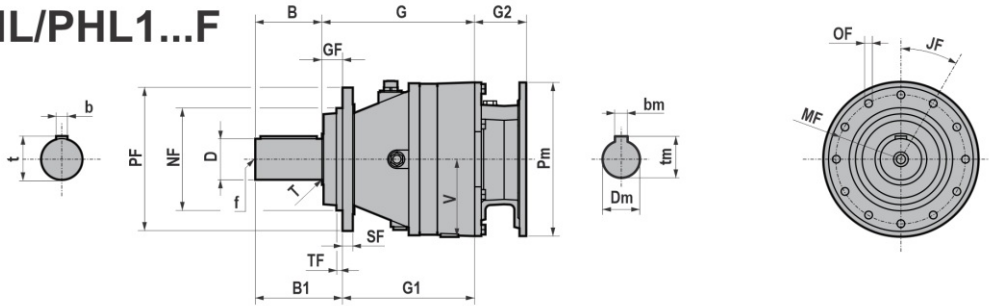
Table OIL CAPACITIES IN LITRES ~ [l]

HPL-1	010	020	030	050	080	130	180
B3/B5 B6/B7 B8	0,69	0,82	1,21	1,35	2,63	3,63	4,13
V1/V5	0,77	0,92	1,61	1,82	2,96	5,96	6,46
V3/V6	1,04	1,04	1,64	1,63	4,03	6,03	6,56
HPL-2	010	020	030	050	080	130	180
B3/B5 B6/B7 B8	0,95	1,09	1,32	1,49	2,54	3,54	4,04
V1/V5	1,31	1,44	2,09	2,21	4,19	5,19	5,69
V3/V6	1,58	1,72	1,88	1,88	3,88	5,88	6,38
HPL-3	010	020	030	050	080	130	180
B3/B5 B6/B7 B8	1,2	1,38	1,57	1,78	2,66	3,66	4,16
V1/V5	1,85	1,99	2,63	2,75	4,67	6,67	7,17
V3/V6	2,13	2,26	2,42	2,42	4,12	6,12	6,62
HPL-4	010	020	030	050	080	130	180
B3/B5 B6/B7 B8	1,46	1,67	1,82	2,07	2,91	3,91	4,41
V1/V5	2,39	2,53	3,21	3,29	5,17	7,17	7,67
V3/V6	2,67	2,8	2,96	2,96	4,67	6,67	7,17

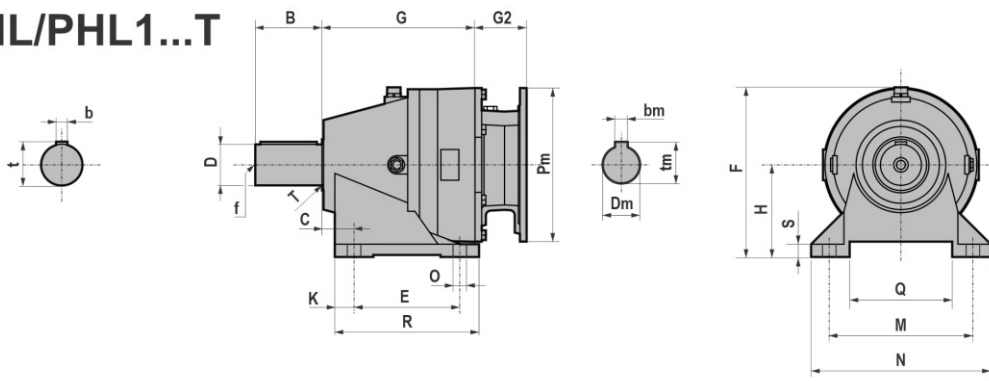
3.1 REDUCERS/GEARED MOTORS

3.1.1 HL/PHL 1

HL/PHL1...F



HL/PHL1...T



	D	B	b	t	f	B1	G	G1	C	E	F	H	K	M	N	O	Q	R	S	T	*V		
010	50	h6	82	14	53,5	M16	88	183	177	24	138	233	132	21	216	260	17	n°4	148	180	16	1,5	111
020	50	h6	82	14	53,5	M16	88	197	191	24	138	233	132	21	216	260	17	n°4	148	180	16	1,5	111
030	60	h6	105	18	64	M20	120	231	216	39	169	284	160	33	254	312	18	n°4	172	235	20	2	128
080	80	h6	130	22	85	M20	170	297,5	257,5	65	201	330,5	180	40	279	350	22	n°4	185	281	25	2	163

	≈ PF	MF	NF f7	GF	JF	OF	SF	TF
010 020	186	165	110	6	45°	10,5	12	5
030	222	195	150	15	36°	12,5	15	13
080	280	250	200	40	30°	15	20	12

*V - Max. overall dimensions

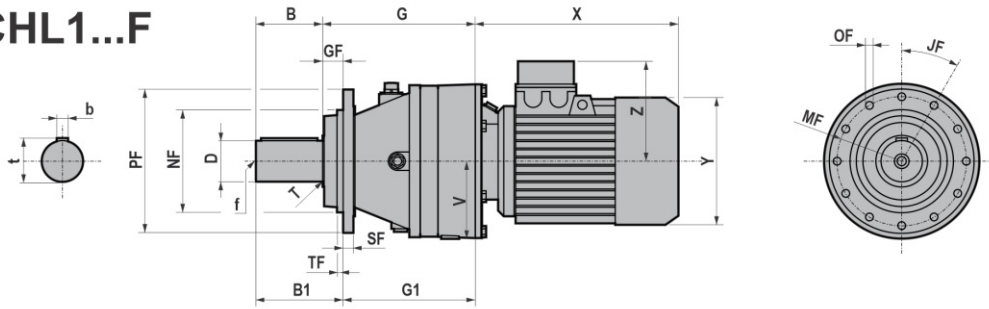
IEC	Pm x Dm	G2			
		HL/PHL 1 010	HL/PHL 1 020	HL/PHL 1 030	HL/PHL 1 080
71	160x14	49	/	/	/
80	200x19	70	/	/	/
90	200x24	70	/	/	/
100-112	250x28	85	85	85	/
132	300x38	110	110	110	/
160	350x42	157,5	157,5	157,5	/
180	350x48	/	/	/	/
200	400x55	/	/	/	185
225	450x60	/	/	/	/

B5	Pm	Dm	bm	tm
071	160	14	5	16,3
080	200	19	6	21,8
090	200	24	8	27,3
100	250	28	8	31,3
112	250	28	8	31,3
132	300	38	10	41,3
160	350	42	12	45,3
180	350	48	14	51,8
200	400	55	16	59,3
225	450	60	18	64,4

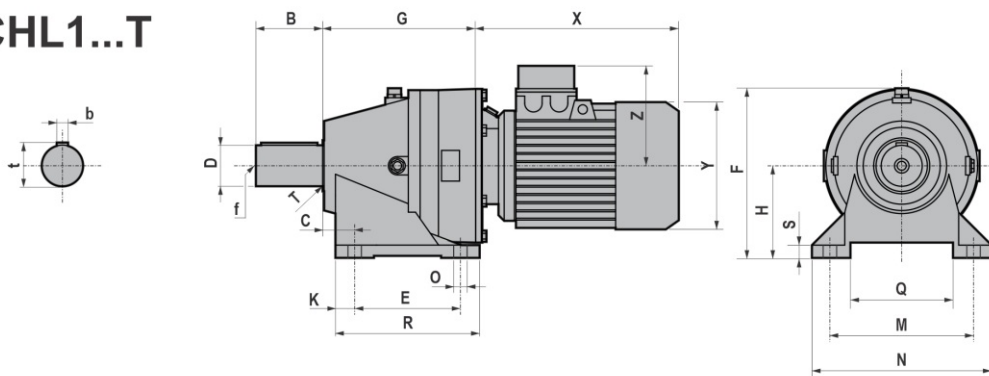
3.1 REDUCERS/GEARED MOTORS

3.1.2 CHL 1

CHL1...F



CHL1...T



	D	B	b	t	f	B1	G	G1	C	E	F	H	K	M	N	O	Q	R	S	T	*V		
010	50	h6	82	14	53,5	M16	88	183	177	24	138	233	132	21	216	260	17	n°4	148	180	16	1,5	111
020	50	h6	82	14	53,5	M16	88	197	191	24	138	233	132	21	216	260	17	n°4	148	180	16	1,5	111
030	60	h6	105	18	64	M20	120	231	216	39	169	284	160	33	254	312	18	n°4	172	235	20	2	128

	≈ PF	MF	NF f7	GF	JF	OF	SF	TF	
010 020	186	165	110	6	45°	10,5	n°8	12	5
030	222	195	150	15	36°	12,5	n°10	15	13

*V - Max. overall dimensions

		T (IE1 - IE2 - IE3)							
		71	80	90S	90L	100	112	132S	132M/L
010/ .../030	X	221	248	276	301	335	356	405	443
	*X		271	309	334		380		
	Y	139	158	173	173	191	211	249	249
	Z	112	122	130	130	139	154	194	194

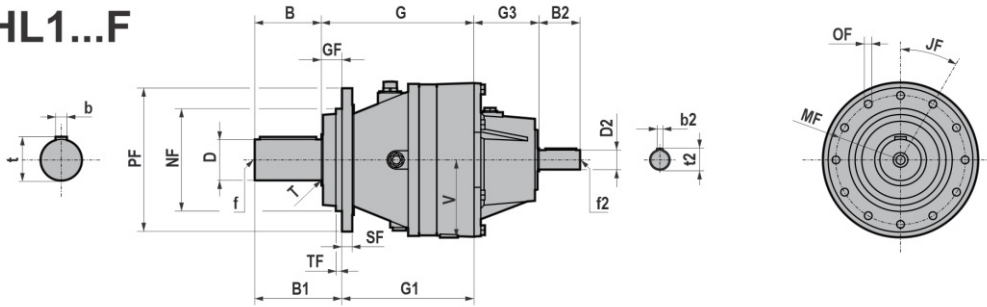
		TB (IE1 - IE2 - IE3)							
		71	80	90S	90L	100	112	132S	132M/L
010/ .../030	X	286.5	321	353	378	417	453	505	547
	*X		344	386	411		477		
	Y	139	158	173	173	191	211	249	249
	Z	129	137	157	157	168	183	230	230

*X - TP80B4, SH80B4, HSH80B4, TP90S4, SH90S4, HSH90S4, TP90L4, SH90L4, HSH90L4, TP90S6, TP112M4, TP112M6

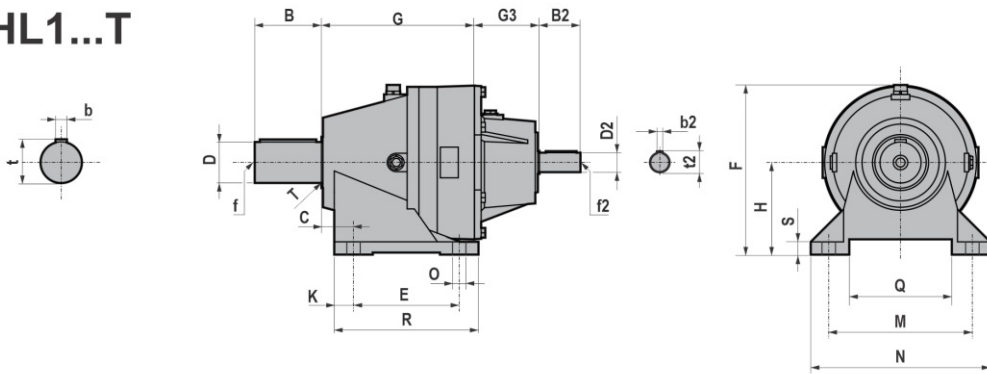
3.1 REDUCERS/GEARED MOTORS

3.1.3 IHL 1

IHL1...F



IHL1...T



	D	B	b	t	f	B1	G	G1	C	E	F	H	K	M	N	O	Q	R	S	T	*V		
010	50	h6	82	14	53,5	M16	88	183	177	24	138	233	132	21	216	260	17	n°4	148	180	16	1,5	111
020	50	h6	82	14	53,5	M16	88	197	191	24	138	233	132	21	216	260	17	n°4	148	180	16	1,5	111
030	60	h6	105	18	64	M20	120	231	216	39	169	284	160	33	254	312	18	n°4	172	235	20	2	128

	≈ PF	MF	NF f7	GF	JF	OF	SF	TF	
010 020	186	165	110	6	45°	10,5	n°8	12	5
030	222	195	150	15	36°	12,5	n°10	15	13

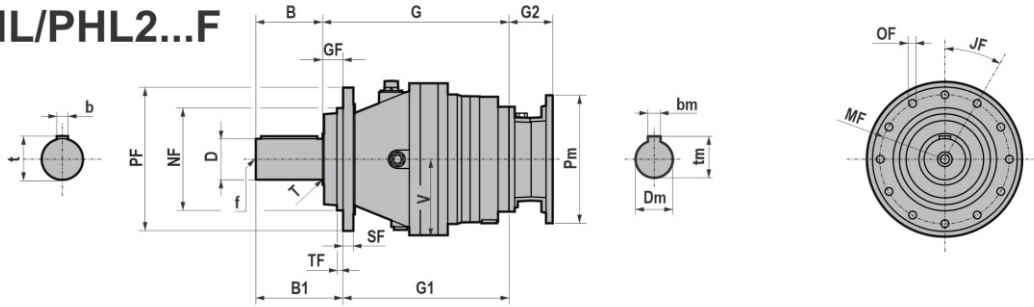
*V - Max. overall dimensions

	G3	D2	B2	b2	t2	f2
010/.../030	113	28 j6	60	8	31	M10

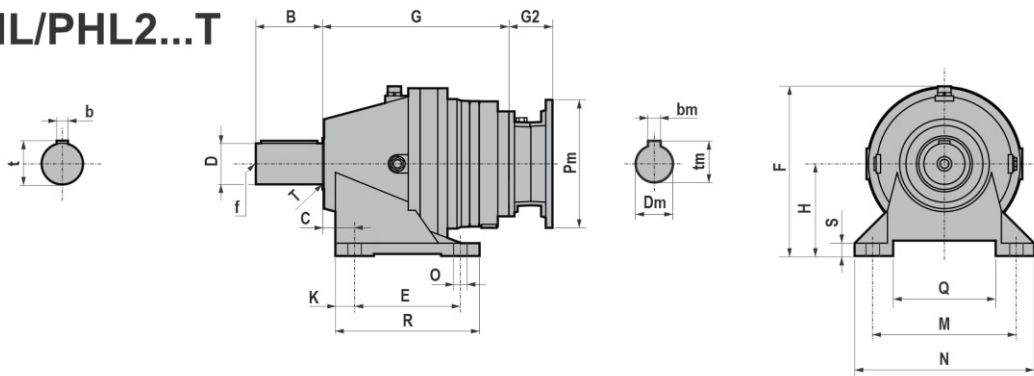
3.1 REDUCERS/GEARED MOTORS

3.1.4 HL/PHL 2 010-130

HL/PHL2...F



HL/PHL2...T



	D	B	b	t	f	B1	G	G1	C	E	F	H	K	M	N	O	Q	R	S	T	*V		
010	50	h6	82	14	53,5	M16	88	238	232	24	138	233	132	21	216	260	17	n°4	148	180	16	1,5	111
020	50	h6	82	14	53,5	M16	88	252	246	24	138	233	132	21	216	260	17	n°4	148	180	16	1,5	111
030	60	h6	105	18	64	M20	120	281	266	39	169	284	160	33	254	312	18	n°4	172	235	20	2	128
050	60	h6	105	18	64	M20	120	315	300	39	169	284	160	33	254	312	18	n°4	172	235	20	2	128
080	80	h6	130	22	85	M20	170	359,5	319,5	65	201	330,5	180	40	279	350	22	n°4	185	281	25	2	163
130	90	h6	170	25	95	M20	206	410,5	374,5	66	219	375	200	35	318	390	26	n°4	220	289	27	-	175

	≈ PF	MF	NF f7	GF	JF	OF	SF	TF
010 020	186	165	110	6	45°	10,5	12	5
030 050	222	195	150	15	36°	12,5	15	13
080	280	250	200	40	30°	15	20	12
130	325	295	230	36	36°	16,5	25	10

*V - Max. overall dimensions

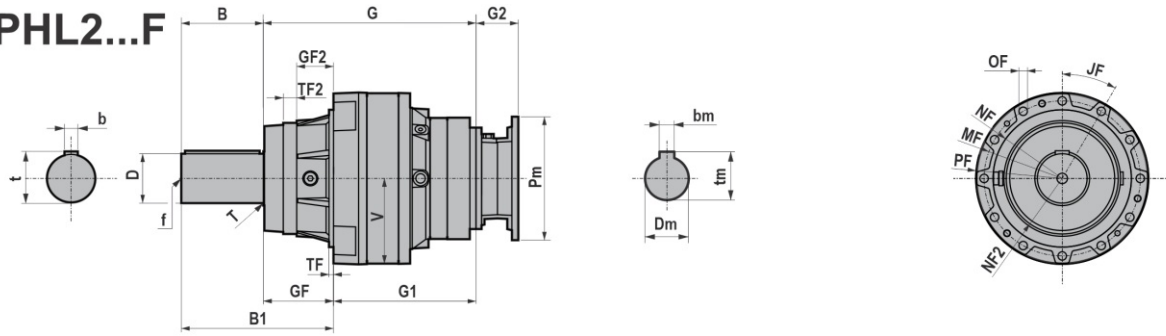
IEC	Pm x Dm	G2		
		HL/PHL 2 010/.../030	HL/PHL 2 050/080	HL/PHL 2 130
71	160x14	49	/	/
80	200x19	70	/	/
90	200x24	70	/	/
100-112	250x28	85	85	/
132	300x38	110	110	/
160	350x42	157,5	157,5	157,5

B5	Pm	Dm	bm	tm
071	160	14	5	16,3
080	200	19	6	21,8
090	200	24	8	27,3
100	250	28	8	31,3
112	250	28	8	31,3
132	300	38	10	41,3
160	350	42	12	45,3

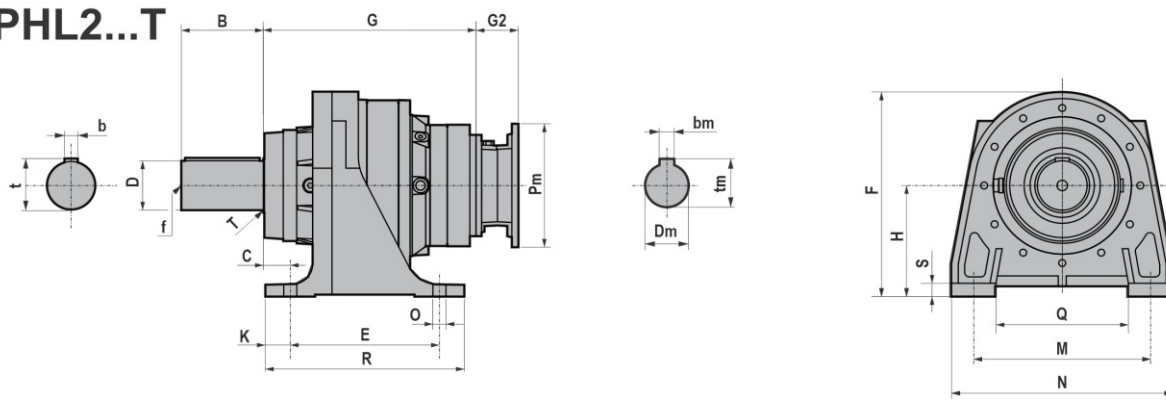
3.1 REDUCERS/GEARED MOTORS

3.1.5 HL/PHL 2 180

HL/PHL2...F



HL/PHL2...T



	D	B	b	t	f	B1	G	G1	C	E	F	H	K	M	N	O	Q	R	S	T	*V		
180	100	m6	165	28	106	M24	306	432,5	291,5	54	300	415	225	50	356	446	26	n°4	266	400	25	-	174
	≈ PF	MF	NF f7	NF2 f7	GF	GF2	JF	OF	TF	TF2													
180	348	314	278	225	141	73,5	30°	17	n°12	7	25,5												

*V - Max. overall dimensions

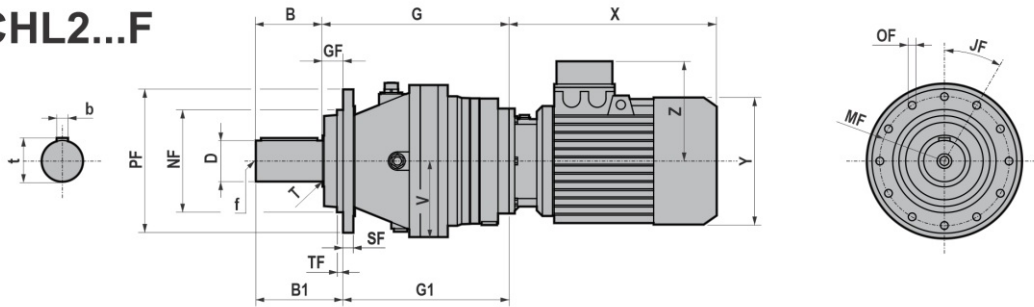
IEC	Pm x Dm	G2
		HL/PHL 2 180
71	160x14	/
80	200x19	/
90	200x24	/
100-112	250x28	/
132	300x38	/
160	350x42	157,5
180	350x48	/
200	400x55	/
225	450x60	/

B5	Pm	Dm	bm	tm
071	160	14	5	16,3
080	200	19	6	21,8
090	200	24	8	27,3
100	250	28	8	31,3
112	250	28	8	31,3
132	300	38	10	41,3
160	350	42	12	45,3
180	350	48	14	51,8
200	400	55	16	59,3
225	450	60	18	64,4

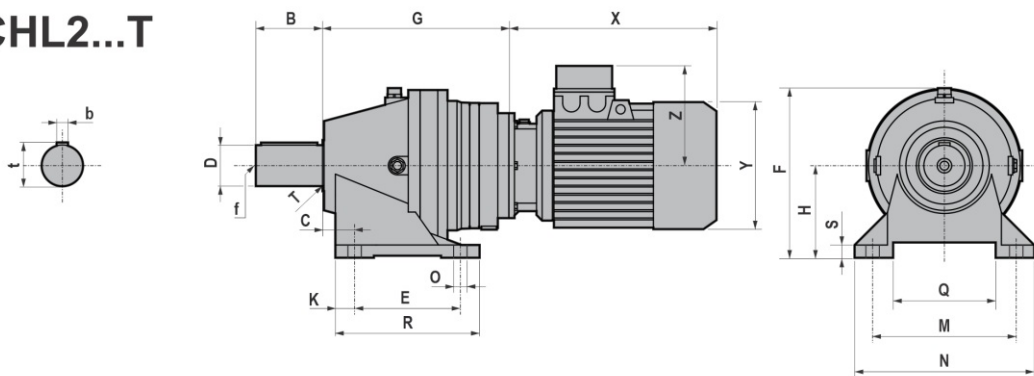
3.1 REDUCERS/GEARED MOTORS

3.1.6 CHL 2

CHL2...F



CHL2...T



	D	B	b	t	f	B1	G	G1	C	E	F	H	K	M	N	O	Q	R	S	T	*V		
010	50	h6	82	14	53,5	M16	88	238	232	24	138	233	132	21	216	260	17	n°4	148	180	16	1,5	111
020	50	h6	82	14	53,5	M16	88	252	246	24	138	233	132	21	216	260	17	n°4	148	180	16	1,5	111
030	60	h6	105	18	64	M20	120	281	266	39	169	284	160	33	254	312	18	n°4	172	235	20	2	128
050	60	h6	105	18	64	M20	120	315	300	39	169	284	160	33	254	312	18	n°4	172	235	20	2	128
080	80	h6	130	22	85	M20	170	359,5	319,5	65	201	330,5	180	40	279	350	22	n°4	185	281	25	2	163

	≈ PF	MF	NF f7	GF	JF	OF	SF	TF
010 020	186	165	110	6	45°	10,5	12	5
030 050	222	195	150	15	36°	12,5	15	13
080	280	250	200	40	30°	15	20	12

*V - Max. overall dimensions

		T (IE1 - IE2 - IE3)							
		71	80	90S	90L	100	112	132S	132M/L
010/ .../180	X	221	248	276	301	335	356	405	443
	*X		271	309	334		380		
	Y	139	158	173	173	191	211	249	249
	Z	112	122	130	130	139	154	194	194

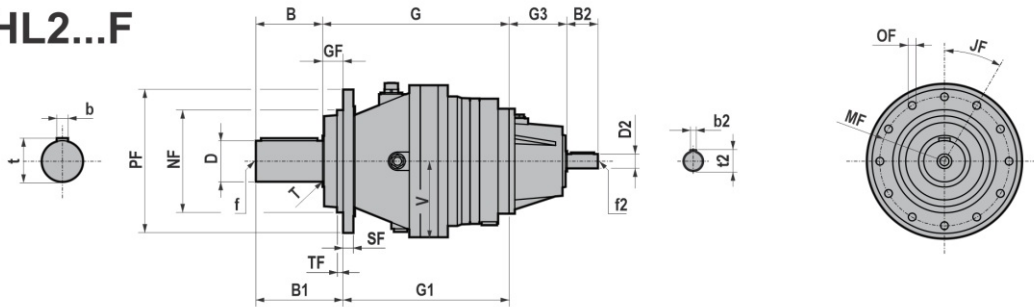
		TB (IE1 - IE2 - IE3)							
		71	80	90S	90L	100	112	132S	132M/L
010/ .../180	X	286.5	321	353	378	417	453	505	547
	*X		344	386	411		477		
	Y	139	158	173	173	191	211	249	249
	Z	129	137	157	157	168	183	230	230

*X - TP80B4, SH80B4, HSH80B4, TP90S4, SH90S4, HSH90S4, TP90L4, SH90L4, HSH90L4, TP90S6, TP112M4, TP112M6

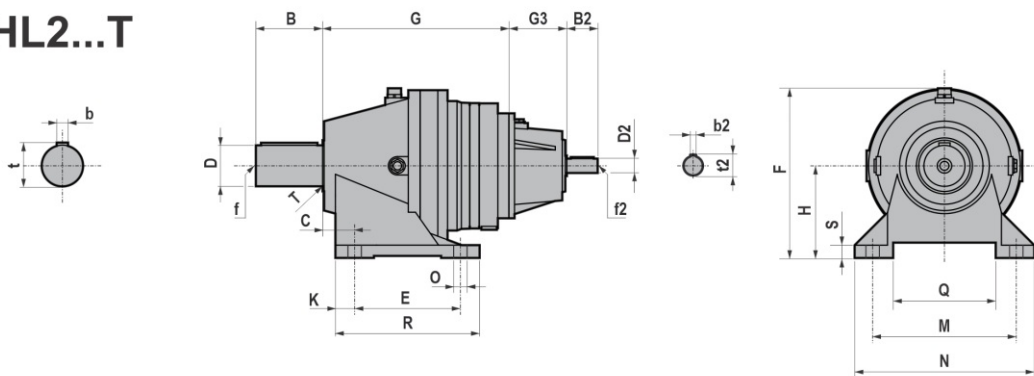
3.1 REDUCERS/GEARED MOTORS

3.1.7 IHL 2 010-130

IHL2...F



IHL2...T



	D	B	b	t	f	B1	G	G1	C	E	F	H	K	M	N	O	Q	R	S	T	*V		
010	50	h6	82	14	53,5	M16	88	238	232	24	138	233	132	21	216	260	17	n°4	148	180	16	1,5	111
020	50	h6	82	14	53,5	M16	88	252	246	24	138	233	132	21	216	260	17	n°4	148	180	16	1,5	111
030	60	h6	105	18	64	M20	120	281	266	39	169	284	160	33	254	312	18	n°4	172	235	20	2	128
050	60	h6	105	18	64	M20	120	315	300	39	169	284	160	33	254	312	18	n°4	172	235	20	2	128
080	80	h6	130	22	85	M20	170	359,5	319,5	65	201	330,5	180	40	279	350	22	n°4	185	281	25	2	163
130	90	h6	170	25	95	M20	206	410,5	374,5	66	219	375	200	35	318	390	26	n°4	220	289	27	-	175

	≈ PF	MF	NF f7	GF	JF	OF	SF	TF
010 020	186	165	110	6	45°	10,5	12	5
030 050	222	195	150	15	36°	12,5	15	13
080	280	250	200	40	30°	15	20	12
130	325	295	230	36	36°	16,5	25	10

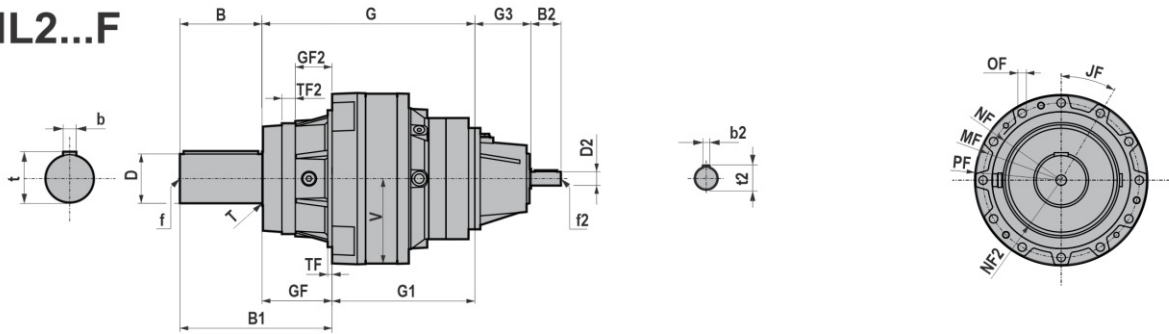
*V - Max. overall dimensions

	G3	D2	B2	b2	t2	f2
010/.../130	113	28 j6	60	8	31	M10

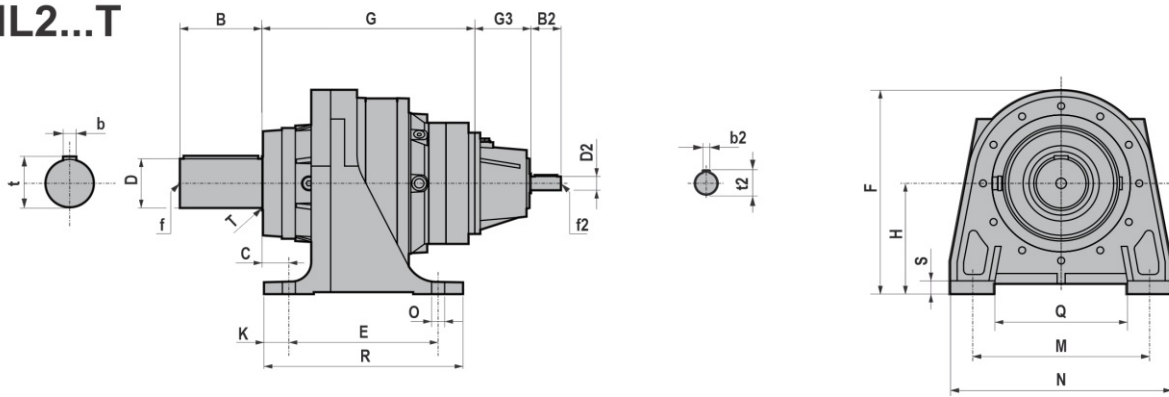
3.1 REDUCERS/GEARED MOTORS

3.1.8 IHL 2 180

IHL2...F



IHL2...T



	D	B	b	t	f	B1	G	G1	C	E	F	H	K	M	N	O	Q	R	S	T	*V		
180	100	m6	165	28	106	M24	306	432,5	291,5	54	300	415	225	50	356	446	26	n°4	266	400	25	-	174
	≈ PF	MF	NF f7	NF2 f7	GF	GF2	JF	OF	TF	TF2													
180	348	314	278	225	141	73,5	30°	17	7	25,5													

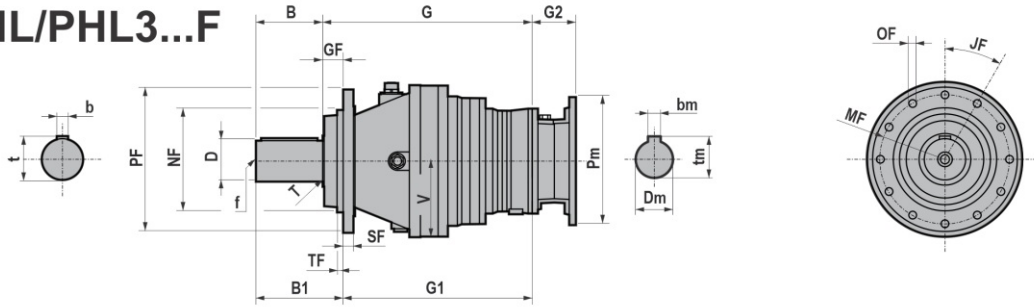
*V - Max. overall dimensions

	G3	D2	B2	b2	t2	f2
180	113	28 j6	60	8	31	M10

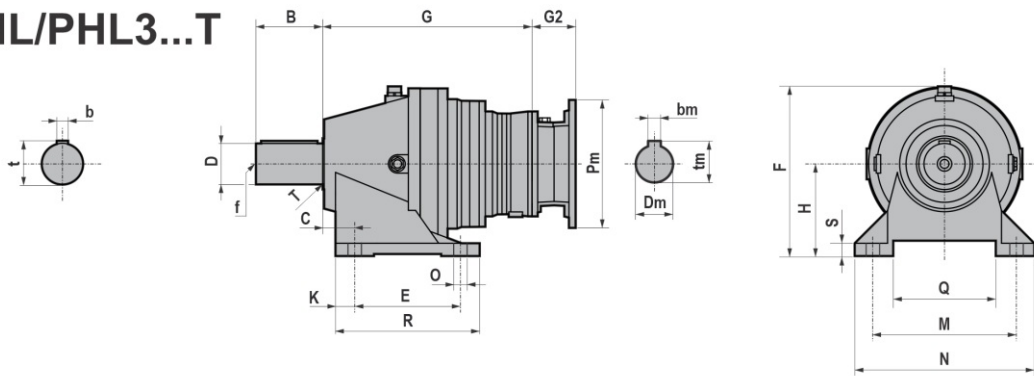
3.1 REDUCERS/GEARED MOTORS

3.1.9 HL/PHL 3 010-130

HL/PHL3...F



HL/PHL3...T



	D	B	b	t	f	B1	G	G1	C	E	F	H	K	M	N	O	Q	R	S	T	*V		
010	50	h6	82	14	53,5	M16	88	293	287	24	138	233	132	21	216	260	17	n°4	148	180	16	1,5	111
020	50	h6	82	14	53,5	M16	88	307	301	24	138	233	132	21	216	260	17	n°4	148	180	16	1,5	111
030	60	h6	105	18	64	M20	120	336	321	39	169	284	160	33	254	312	18	n°4	172	235	20	2	128
050	60	h6	105	18	64	M20	120	340	335	39	169	284	160	33	254	312	18	n°4	172	235	20	2	128
080	80	h6	130	22	85	M20	170	409,5	369,5	65	201	330,5	180	40	279	350	22	n°4	185	281	25	2	163
130	90	h6	170	25	95	M20	206	474,5	438,5	66	219	375	200	35	318	390	26	n°4	220	289	27	-	175

	≈ PF	MF	NF f7	GF	JF	OF	SF	TF
010 020	186	165	110	6	45°	10,5	12	5
030 050	222	195	150	15	36°	12,5	15	13
080	280	250	200	40	30°	15	20	12
130	325	295	230	36	36°	16,5	25	10

*V - Max. overall dimensions

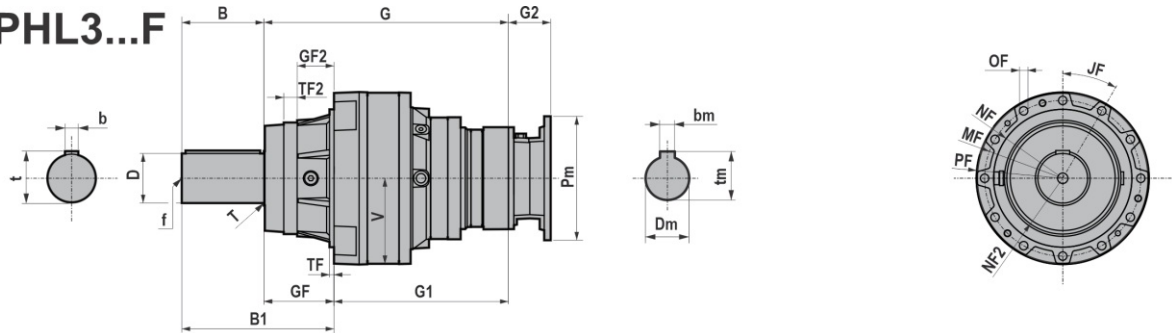
IEC	Pm x Dm	G2	
		HL/PHL 3 010/.../080	HL/PHL 3 130
71	160x14	49	/
80	200x19	70	/
90	200x24	70	70
100-112	250x28	85	85
132	300x38	110	110
160	350x42	157,5	157,5
180	350x48	/	/

B5	Pm	Dm	bm	tm
071	160	14	5	16,3
080	200	19	6	21,8
090	200	24	8	27,3
100	250	28	8	31,3
112	250	28	8	31,3
132	300	38	10	41,3
160	350	42	12	45,3
180	350	48	14	51,8

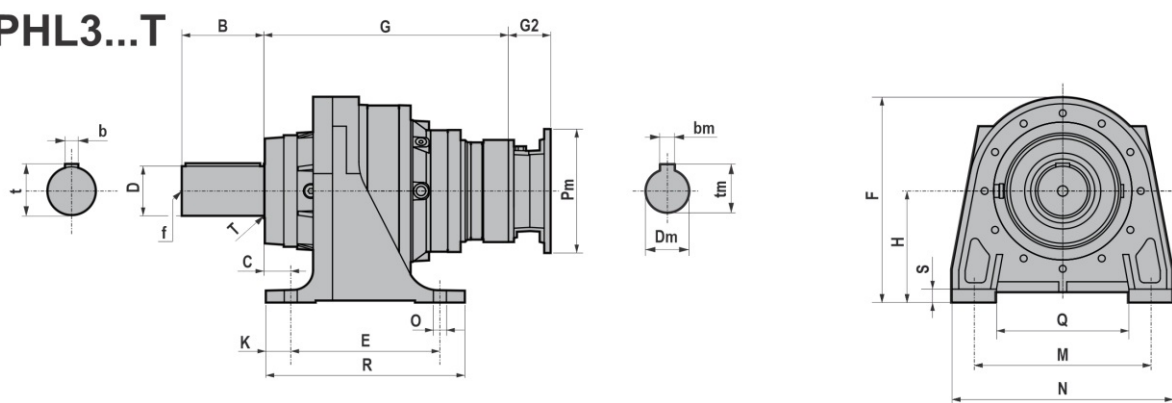
3.1 REDUCERS/GEARED MOTORS

3.1.10 HL/PHL 3 180

HL/PHL3...F



HL/PHL3...T



	D	B	b	t	f	B1	G	G1	C	E	F	H	K	M	N	O	Q	R	S	T	*V		
180	100	m6	165	28	106	M24	306	496,5	355,5	54	300	415	225	50	356	446	26	n°4	266	400	25	-	174

	≈ PF	MF	NF f7	NF2 f7	GF	GF2	JF	OF	TF	TF2	
180	348	314	278	225	141	73,5	30°	17	n°12	7	25,5

*V - Max. overall dimensions

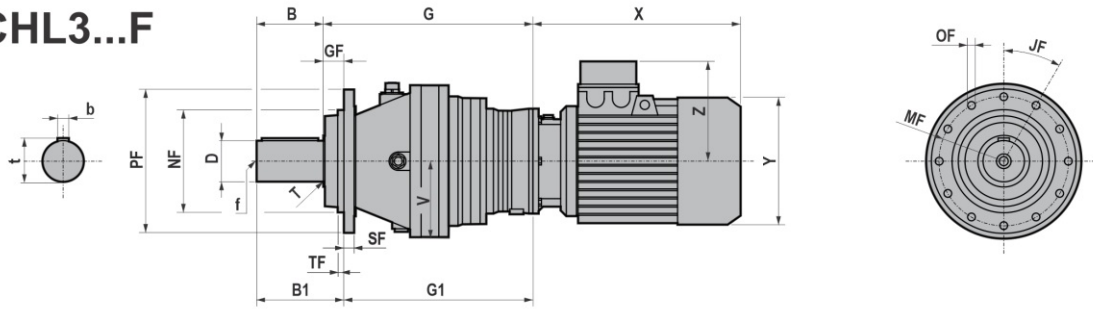
		G2
IEC	Pm x Dm	HL/PHL 3 180
71	160x14	/
80	200x19	/
90	200x24	/
100-112	250x28	85
132	300x38	110
160	350x42	157,5
180	350x48	/

B5	Pm	Dm	bm	tm
071	160	14	5	16,3
080	200	19	6	21,8
090	200	24	8	27,3
100	250	28	8	31,3
112	250	28	8	31,3
132	300	38	10	41,3
160	350	42	12	45,3
180	350	48	14	51,8

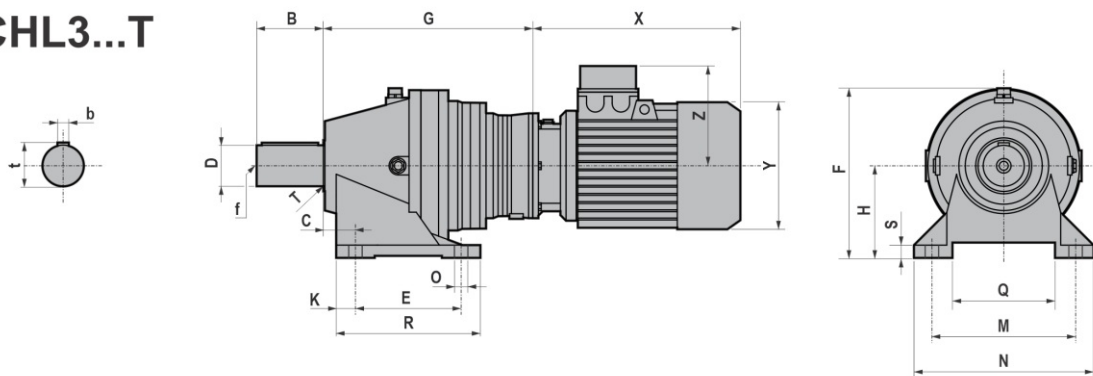
3.1 REDUCERS/GEARED MOTORS

3.1.11 CHL 3 010-130

CHL3...F



CHL3...T



	D	B	b	t	f	B1	G	G1	C	E	F	H	K	M	N	O	Q	R	S	T	*V		
010	50	h6	82	14	53,5	M16	88	293	287	24	138	233	132	21	216	260	17	n°4	148	180	16	1,5	111
020	50	h6	82	14	53,5	M16	88	307	301	24	138	233	132	21	216	260	17	n°4	148	180	16	1,5	111
030	60	h6	105	18	64	M20	120	336	321	39	169	284	160	33	254	312	18	n°4	172	235	20	2	128
050	60	h6	105	18	64	M20	120	340	335	39	169	284	160	33	254	312	18	n°4	172	235	20	2	128
080	80	h6	130	22	85	M20	170	409,5	369,5	65	201	330,5	180	40	279	350	22	n°4	185	281	25	2	163
130	90	h6	170	25	95	M20	206	474,5	438,5	66	219	375	200	35	318	390	26	n°4	220	289	27	-	175

	≈ PF	MF	NF f7	GF	JF	OF	SF	TF
010 020	186	165	110	6	45°	10,5	12	5
030 050	222	195	150	15	36°	12,5	15	13
080	280	250	200	40	30°	15	20	12
130	325	295	230	36	36°	16,5	25	10

*V - Max. overall dimensions

		T (IE1 - IE2 - IE3)							
		71	80	90S	90L	100	112	132S	132M/L
010/.../130	X	221	248	276	301	335	356	405	443
	*X		271	309	334		380		
	Y	139	158	173	173	191	211	249	249
	Z	112	122	130	130	139	154	194	194

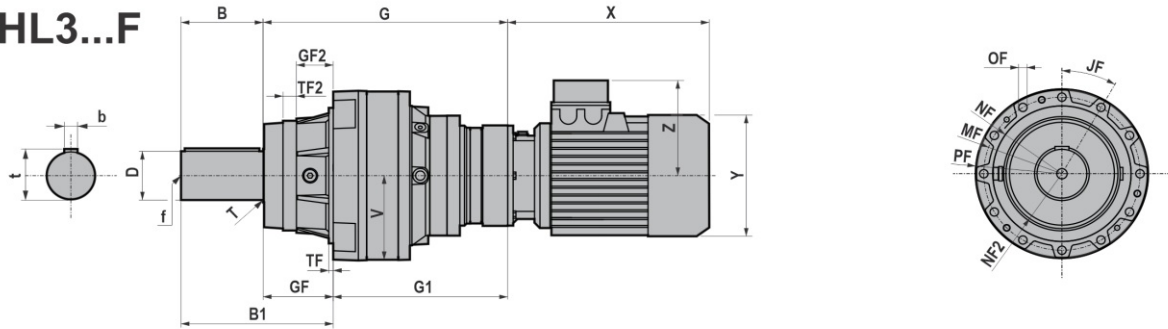
		TB (IE1 - IE2 - IE3)							
		71	80	90S	90L	100	112	132S	132M/L
010/.../130	X	286.5	321	353	378	417	453	505	547
	*X			344	386		411		
	Y	139	158	173	173	191	211	249	249
	Z	129	137	157	157	168	183	230	230

*X - TP80B4, SH80B4, HSH80B4, TP90S4, SH90S4, HSH90S4, TP90L4, SH90L4, HSH90L4, TP90S6, TP112M4, TP112M6

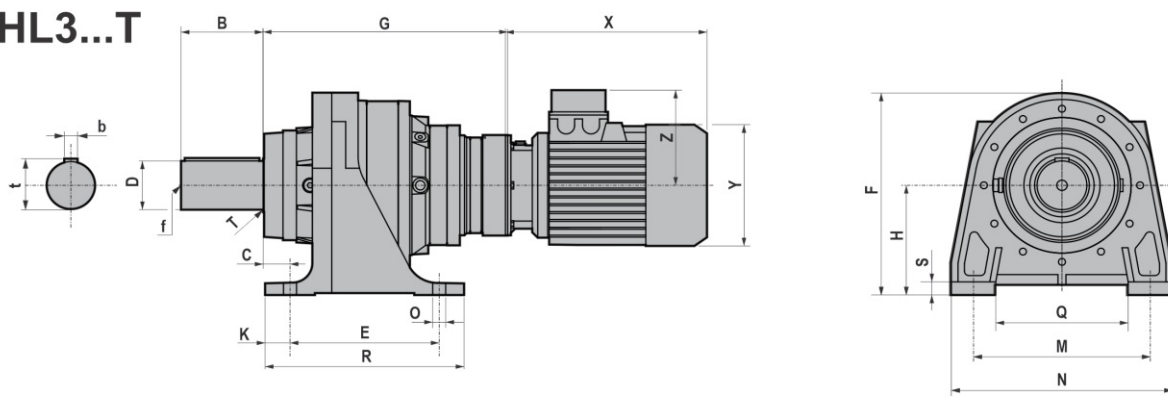
3.1 REDUCERS/GEARED MOTORS

3.1.12 CHL 3 180

CHL3...F



CHL3...T



	D	B	b	t	f	B1	G	G1	C	E	F	H	K	M	N	O	Q	R	S	T	*V		
180	100	m6	165	28	106	M24	306	496,5	355,5	54	300	415	225	50	356	446	26	n°4	266	400	25	-	174
	≈ PF	MF	NF f7	NF2 f7	GF	GF2	JF	OF	TF	TF2													
180	348	314	278	225	141	73,5	30°	17	7	25,5													

*V - Max. overall dimensions

		T (IE1 - IE2 - IE3)							
		71	80	90S	90L	100	112	132S	132M/L
180	X	221	248	276	301	335	356	405	443
	*X		271	309	334		380		
	Y	139	158	173	173	191	211	249	249
	Z	112	122	130	130	139	154	194	194

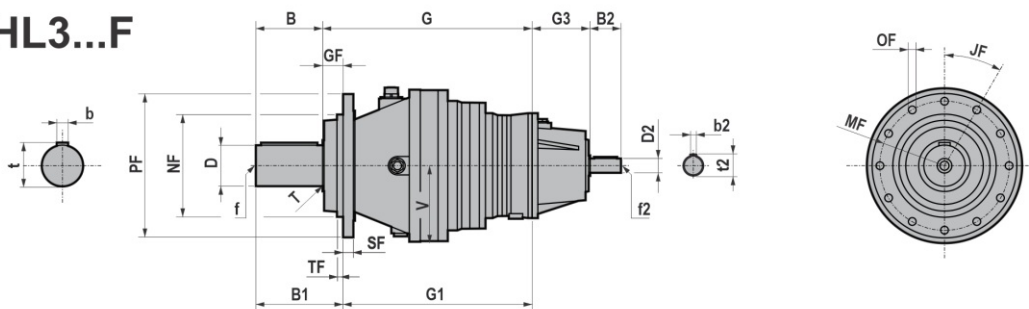
		TB (IE1 - IE2 - IE3)							
		71	80	90S	90L	100	112	132S	132M/L
180	X	286.5	321	353	378	417	453	505	547
	*X		344	386	411		477		
	Y	139	158	173	173	191	211	249	249
	Z	129	137	157	157	168	183	230	230

*X - TP80B4, SH80B4, HSH80B4, TP90S4, SH90S4, HSH90S4, TP90L4, SH90L4, HSH90L4, TP90S6, TP112M4, TP112M6

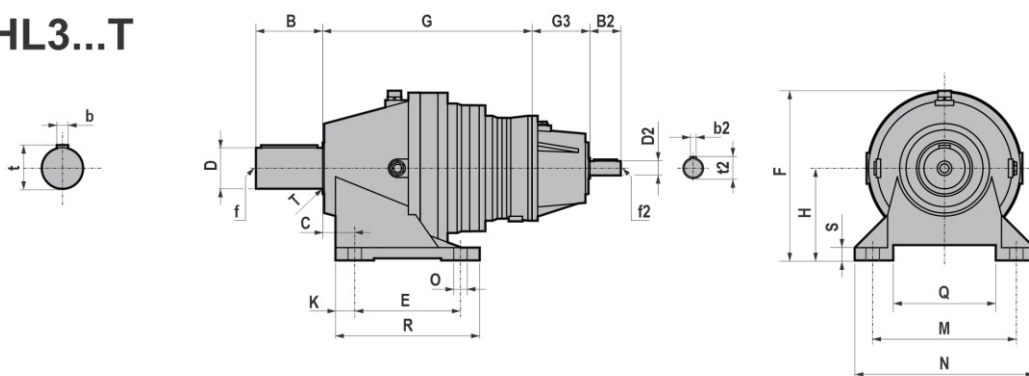
3.1 REDUCERS/GEARED MOTORS

3.1.13 IHL 3 010-130

IHL3...F



IHL3...T



	D	B	b	t	f	B1	G	G1	C	E	F	H	K	M	N	O	Q	R	S	T	*V		
010	50	h6	82	14	53,5	M16	88	293	287	24	138	233	132	21	216	260	17	n°4	148	180	16	1,5	111
020	50	h6	82	14	53,5	M16	88	307	301	24	138	233	132	21	216	260	17	n°4	148	180	16	1,5	111
030	60	h6	105	18	64	M20	120	336	321	39	169	284	160	33	254	312	18	n°4	172	235	20	2	128
050	60	h6	105	18	64	M20	120	340	335	39	169	284	160	33	254	312	18	n°4	172	235	20	2	128
080	80	h6	130	22	85	M20	170	409,5	369,5	65	201	330,5	180	40	279	350	22	n°4	185	281	25	2	163
130	90	h6	170	25	95	M20	206	474,5	438,5	66	219	375	200	35	318	390	26	n°4	220	289	27	-	175

	≈ PF	MF	NF f7	GF	JF	OF	SF	TF
010 020	186	165	110	6	45°	10,5	12	5
030 050	222	195	150	15	36°	12,5	15	13
080	280	250	200	40	30°	15	20	12
130	325	295	230	36	36°	16,5	25	10

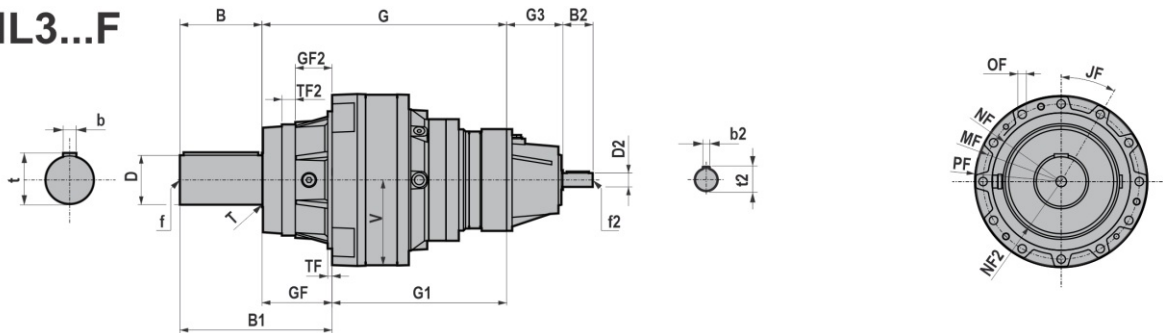
*V - Max. overall dimensions

	G3	D2	B2	b2	t2	f2
010/.../130	113	28 j6	60	8	31	M10

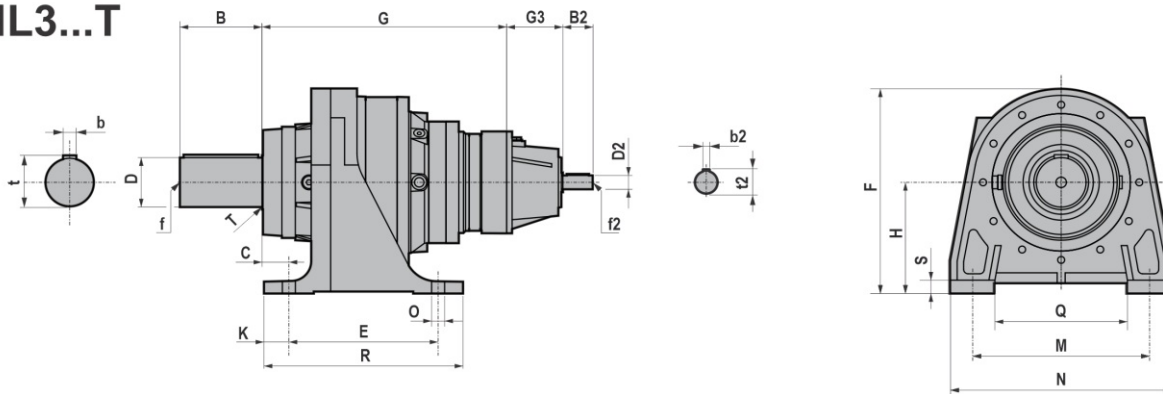
3.1 REDUCERS/GEARED MOTORS

3.1.14 IHL 3 180

IHL3...F



IHL3...T



	D	B	b	t	f	B1	G	G1	C	E	F	H	K	M	N	O	Q	R	S	T	*V		
180	100	m6	165	28	106	M24	306	496,5	355,5	54	300	415	225	50	356	446	26	n°4	266	400	25	-	174

	≈ PF	MF	NF f7	NF2 f7	GF	GF2	JF	OF	TF	TF2	
180	348	314	278	225	141	73,5	30°	17	n°12	7	25,5

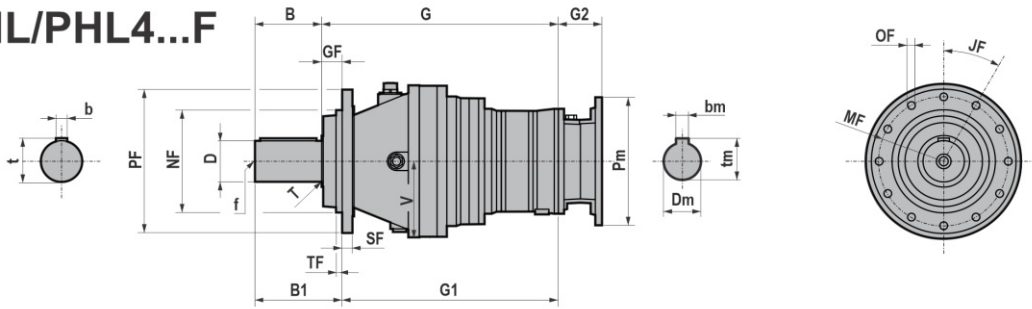
*V - Max. overall dimensions

	G3	D2	B2	b2	t2	f2
180	113	28 j6	60	8	31	M10

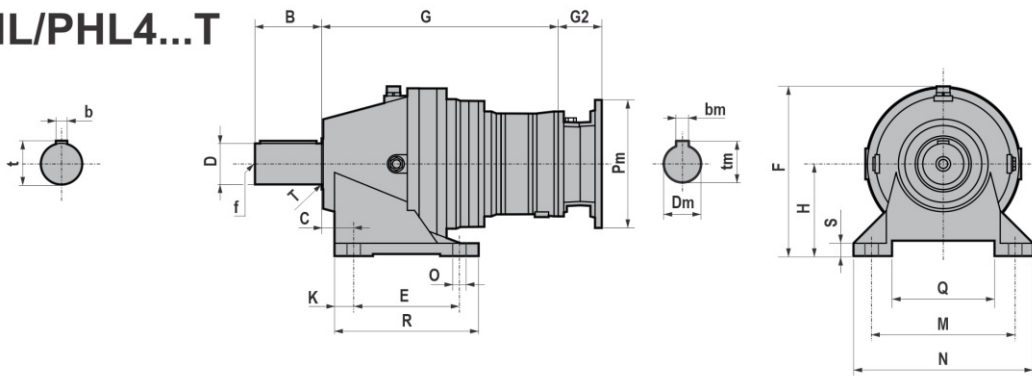
3.1 REDUCERS/GEARED MOTORS

3.1.15 HL/PHL 4 010-130

HL/PHL4...F



HL/PHL4...T



	D	B	b	t	f	B1	G	G1	C	E	F	H	K	M	N	O	Q	R	S	T	*V	
010	50	h6	82	14	53,5	M16	88	348	24	138	233	132	21	216	260	17	n°4	148	180	16	1,5	111
020	50	h6	82	14	53,5	M16	88	362	24	138	233	132	21	216	260	17	n°4	148	180	16	1,5	111
030	60	h6	105	18	64	M20	120	391	39	169	284	160	33	254	312	18	n°4	172	235	20	2	128
050	60	h6	105	18	64	M20	120	425	39	169	284	160	33	254	312	18	n°4	172	235	20	2	128
080	80	h6	130	22	85	M20	170	464,5	65	201	330,5	180	40	279	350	22	n°4	185	281	25	2	163
130	90	h6	170	25	95	M20	206	529,5	66	219	375	200	35	318	390	26	n°4	220	289	27	-	175

	≈ PF	MF	NF f7	GF	JF	OF	SF	TF
010 020	186	165	110	6	45°	10,5	12	5
030 050	222	195	150	15	36°	12,5	15	13
080	280	250	200	40	30°	15	20	12
130	325	295	230	36	36°	16,5	25	10

*V - Max. overall dimensions

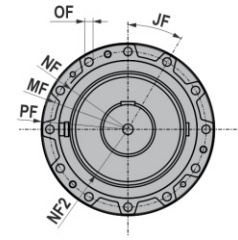
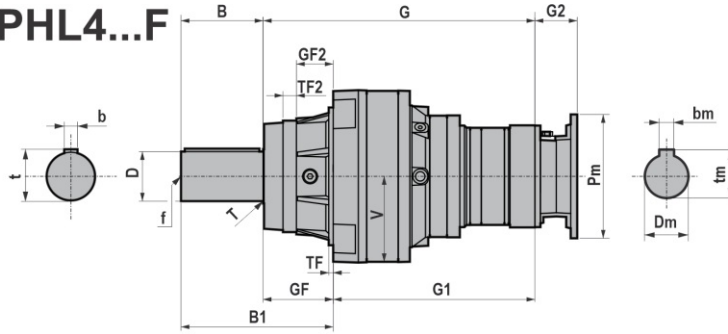
IEC	Pm x Dm	G2	
		HL/PHL 4 010/.../080	HL/PHL 4 130
71	160x14	49	49
80	200x19	70	70
90	200x24	70	70
100-112	250x28	85	85
132	300x38	110	110
160	350x42	157,5	/

B5	Pm	Dm	bm	tm
071	160	14	5	16,3
080	200	19	6	21,8
090	200	24	8	27,3
100	250	28	8	31,3
112	250	28	8	31,3
132	300	38	10	41,3
160	350	42	12	45,3

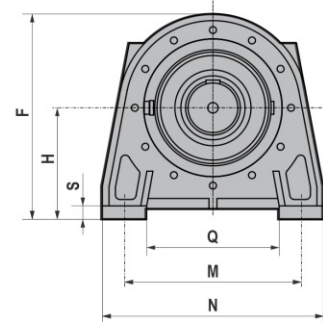
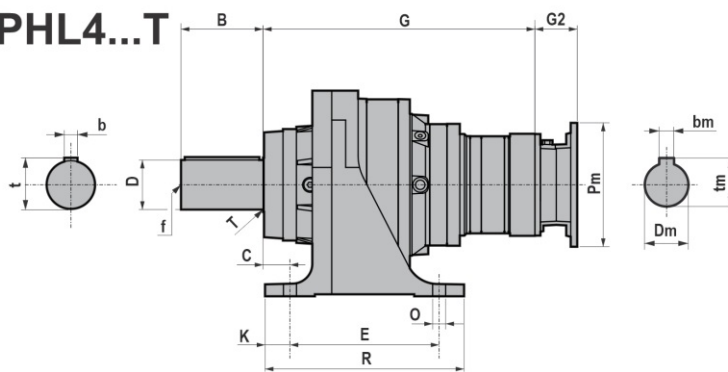
3.1 REDUCERS/GEARED MOTORS

3.1.16 HL/PHL 4 180

HL/PHL4...F



HL/PHL4...T



	D	B	b	t	f	B1	G	G1	C	E	F	H	K	M	N	O	Q	R	S	T	*V		
180	100	m6	165	28	106	M24	306	551,5	410,5	54	300	415	225	50	356	446	26	n°4	266	400	25	-	174
	≈ PF	MF	NF f7	NF2 f7	GF	GF2	JF	OF	TF	TF2													
180	348	314	278	225	141	73,5	30°	17	n°12	7	25,5												

*V - Max. overall dimensions

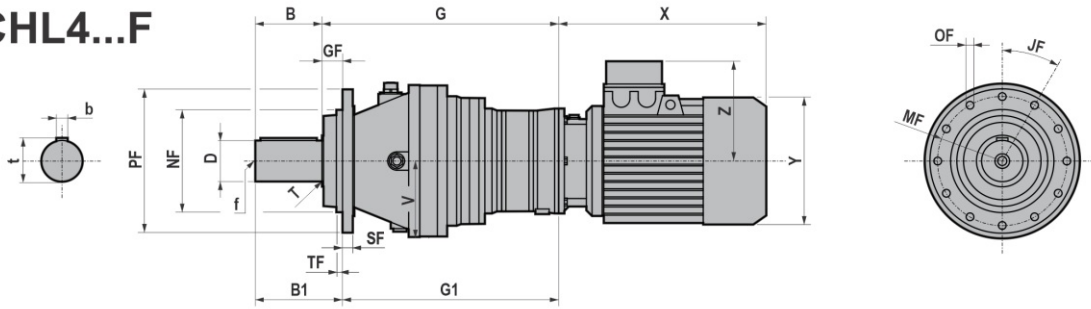
		G2
IEC	Pm x Dm	HL/PHL 4 180
71	160x14	49
80	200x19	70
90	200x24	70
100-112	250x28	85
132	300x38	110
160	350x42	/

B5	Pm	Dm	bm	tm
071	160	14	5	16,3
080	200	19	6	21,8
090	200	24	8	27,3
100	250	28	8	31,3
112	250	28	8	31,3
132	300	38	10	41,3
160	350	42	12	45,3

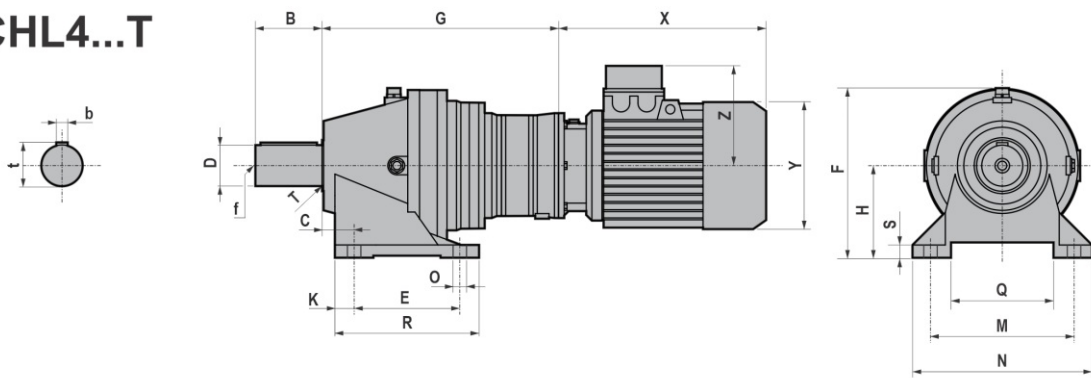
3.1 REDUCERS/GEARED MOTORS

3.1.17 CHL 4 010-130

CHL4...F



CHL4...T



	D	B	b	t	f	B1	G	G1	C	E	F	H	K	M	N	O	Q	R	S	T	*V		
010	50	h6	82	14	53,5	M16	88	348	342	24	138	233	132	21	216	260	17	n°4	148	180	16	1,5	111
020	50	h6	82	14	53,5	M16	88	362	356	24	138	233	132	21	216	260	17	n°4	148	180	16	1,5	111
030	60	h6	105	18	64	M20	120	391	376	39	169	284	160	33	254	312	18	n°4	172	235	20	2	128
050	60	h6	105	18	64	M20	120	425	410	39	169	284	160	33	254	312	18	n°4	172	235	20	2	128
080	80	h6	130	22	85	M20	170	464,5	424,5	65	201	330,5	180	40	279	350	22	n°4	185	281	25	2	163
130	90	h6	170	25	95	M20	206	529,5	493,5	66	219	375	200	35	318	390	26	n°4	220	289	27	-	175

	≈ PF	MF	NF f7	GF	JF	OF	SF	TF
010 020	186	165	110	6	45°	10,5	12	5
030 050	222	195	150	15	36°	12,5	15	13
080	280	250	200	40	30°	15	20	12
130	325	295	230	36	36°	16,5	25	10

*V - Max. overall dimensions

		T (IE1 - IE2 - IE3)							
		71	80	90S	90L	100	112	132S	132M/L
010/.../130	X	221	248	276	301	335	356	405	443
	*X		271	309	334		380		
	Y	139	158	173	173	191	211	249	249
	Z	112	122	130	130	139	154	194	194

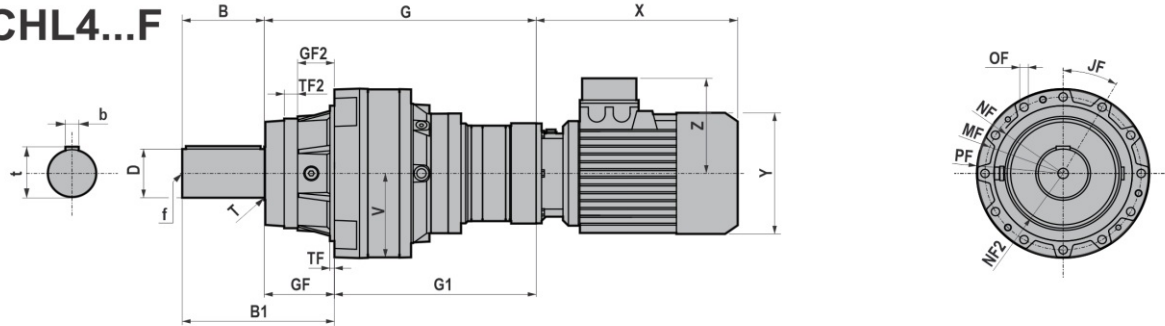
		TB (IE1 - IE2 - IE3)							
		71	80	90S	90L	100	112	132S	132M/L
010/.../130	X	286.5	321	353	378	417	453	505	547
	*X			344	386		411		
	Y	139	158	173	173	191	211	249	249
	Z	129	137	157	157	168	183	230	230

*X - TP80B4, SH80B4, HSH80B4, TP90S4, SH90S4, HSH90S4, TP90L4, SH90L4, HSH90L4, TP90S6, TP112M4, TP112M6

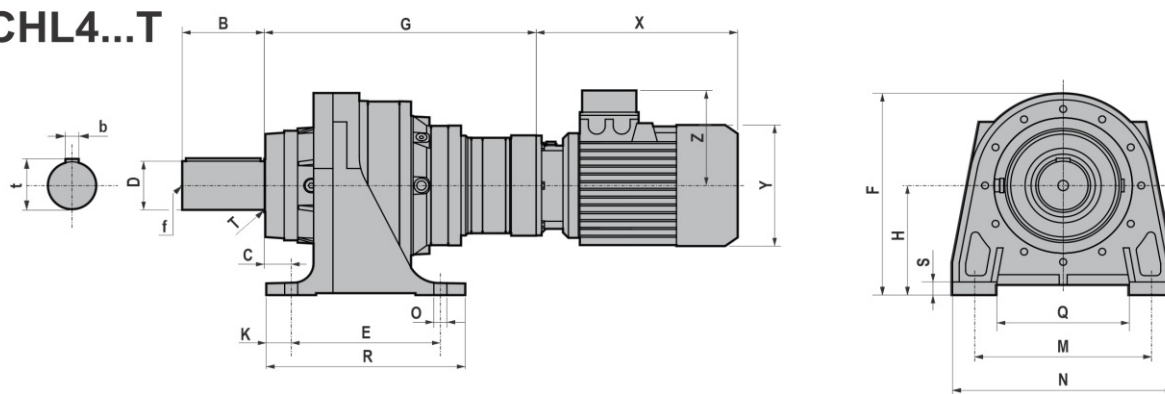
3.1 REDUCERS/GEARED MOTORS

3.1.18 CHL 4 180

CHL4...F



CHL4...T



	D	B	b	t	f	B1	G	G1	C	E	F	H	K	M	N	O	Q	R	S	T	*V		
180	100	m6	165	28	106	M24	306	551,5	410,5	54	300	415	225	50	356	446	26	n°4	266	400	25	-	174
	≈ PF	MF	NF f7	NF2 f7	GF	GF2	JF	OF	TF	TF2													
180	348	314	278	225	141	73,5	30°	17	7	25,5													

*V - Max. overall dimensions

		T (IE1 - IE2 - IE3)							
		71	80	90S	90L	100	112	132S	132M/L
180	X	221	248	276	301	335	356	405	443
	*X	271	309	334	335	380			
	Y	139	158	173	173	191	211	249	249
	Z	112	122	130	130	139	154	194	194

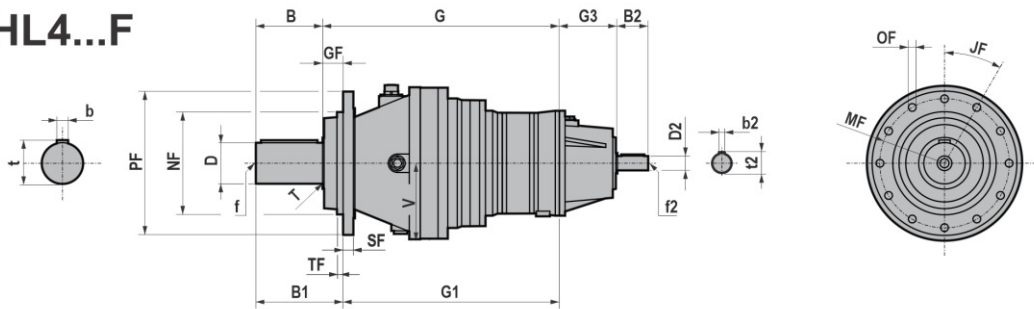
		TB (IE1 - IE2 - IE3)							
		71	80	90S	90L	100	112	132S	132M/L
180	X	286.5	321	353	378	417	453	505	547
	*X	344	386	411	417	477			
	Y	139	158	173	173	191	211	249	249
	Z	129	137	157	157	168	183	230	230

*X - TP80B4, SH80B4, HSH80B4, TP90S4, SH90S4, HSH90S4, TP90L4, SH90L4, HSH90L4, TP90S6, TP112M4, TP112M6

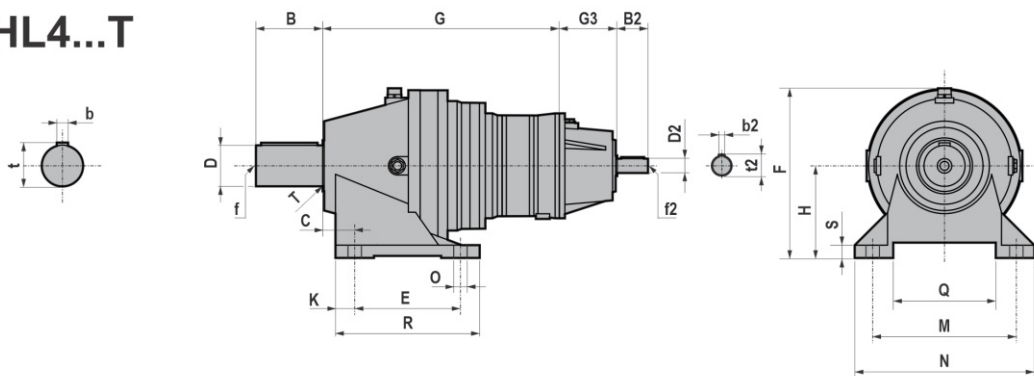
3.1 REDUCERS/GEARED MOTORS

3.1.19 IHL 4 010-130

IHL4...F



IHL4...T



	D	B	b	t	f	B1	G	G1	C	E	F	H	K	M	N	O	Q	R	S	T	*V		
010	50	h6	82	14	53,5	M16	88	348	342	24	138	233	132	21	216	260	17	n°4	148	180	16	1,5	111
020	50	h6	82	14	53,5	M16	88	362	356	24	138	233	132	21	216	260	17	n°4	148	180	16	1,5	111
030	60	h6	105	18	64	M20	120	391	376	39	169	284	160	33	254	312	18	n°4	172	235	20	2	128
050	60	h6	105	18	64	M20	120	425	410	39	169	284	160	33	254	312	18	n°4	172	235	20	2	128
080	80	h6	130	22	85	M20	170	464,5	424,5	65	201	330,5	180	40	279	350	22	n°4	185	281	25	2	163
130	90	h6	170	25	95	M20	206	529,5	493,5	66	219	375	200	35	318	390	26	n°4	220	289	27	-	175

	≈ PF	MF	NF f7	GF	JF	OF	SF	TF
010 020	186	165	110	6	45°	10,5	12	5
030 050	222	195	150	15	36°	12,5	15	13
080	280	250	200	40	30°	15	20	12
130	325	295	230	36	36°	16,5	25	10

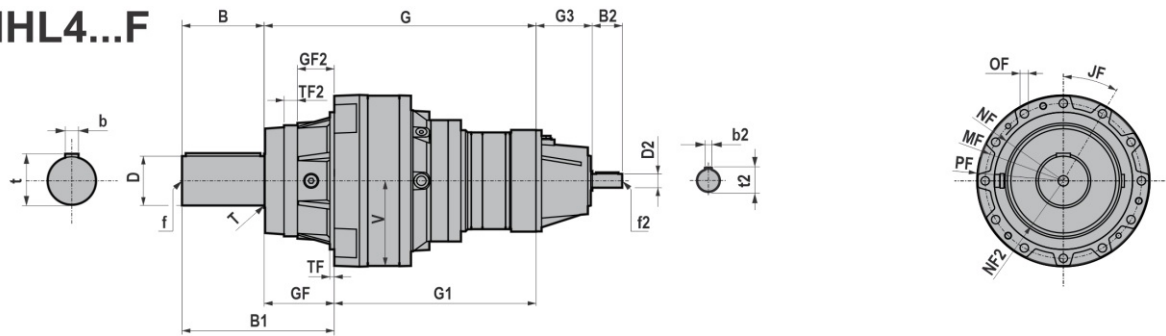
*V - Max. overall dimensions

	G3	D2	B2	b2	t2	f2
010/.../130	113	28 j6	60	8	31	M10

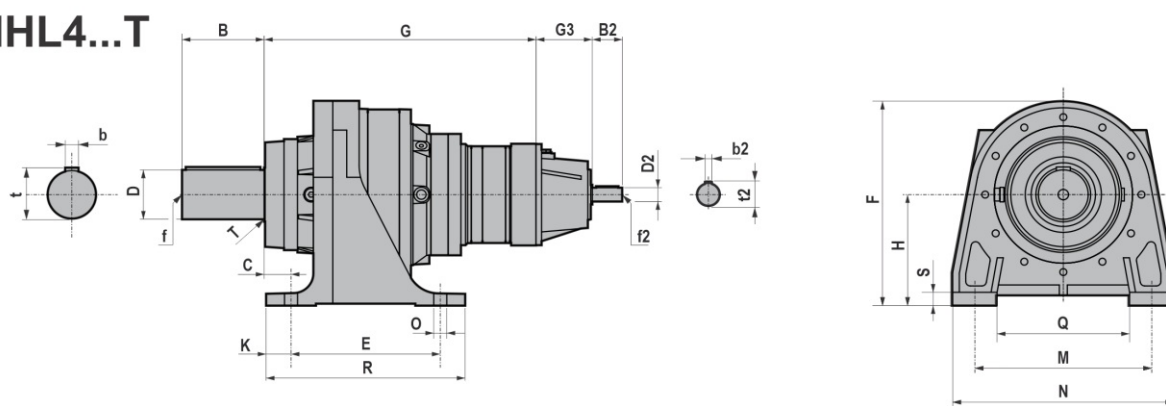
3.1 REDUCERS/GEARED MOTORS

3.1.20 IHL 4 180

IHL4...F



IHL4...T



	D	B	b	t	f	B1	G	G1	C	E	F	H	K	M	N	O	Q	R	S	T	*V		
180	100	m6	165	28	106	M24	306	551,5	410,5	54	300	415	225	50	356	446	26	n°4	266	400	25	-	174

	≈ PF	MF	NF f7	NF2 f7	GF	GF2	JF	OF	TF	TF2	
180	348	314	278	225	141	73,5	30°	17	n°12	7	25,5

*V - Max. overall dimensions

	G3	D2	B2	b2	t2	f2
180	113	28 j6	60	8	31	M10

3.2 WEIGHTS

The values reported in the tables are referred to the weight of the gearbox without lubricant.

*Weight without motor

* HL/PHL	IEC -[kg]								IHL	-[kg]
	71	80	90	100-112	132	160	180	200		
1-010	28	30	30	32	35	41	/	/	1-010	15.74
1-020	30	32	32	34	37	43	/	/	1-020	16.76
1-030	/	/	/	56	59	65	/	/	1-030	26.59
1-050	/	/	/	/	/	/	/	/	1-050	/
1-080	/	/	/	/	/	/	/	122	1-080	/
1-130	/	/	/	/	/	/	/	/	1-130	/
1-180	/	/	/	/	/	/	/	/	1-180	/
2-010	36	38	38	40	43	49	/	/	2-010	19.37
2-020	39	40	40	42	46	52	/	/	2-020	20.49
2-030	60	61	61	63	67	73	/	/	2-030	30.03
2-050	/	/	/	71	74	80	/	/	2-050	33.54
2-080	/	/	/	110	113	119	/	/	2-080	51.13
2-130	/	/	/	/	/	154	/	/	2-130	/
2-180	/	/	/	/	/	184	/	/	2-180	/
3-010	44	46	46	48	51	57	/	/	3-010	23.06
3-020	47	48	48	50	54	60	/	/	3-020	24.14
3-030	68	69	69	71	75	81	/	/	3-030	33.71
3-050	76	77	77	79	82	89	/	/	3-050	37.25
3-080	116	117	117	119	123	129	/	/	3-080	55.46
3-130	/	/	152	154	158	164	/	/	3-130	71.39
3-180	0	0	0	185	188	194	/	/	3-180	85.05
4-010	52	54	54	56	59	65	/	/	4-010	26.76
4-020	55	56	56	58	62	68	/	/	4-020	27.81
4-030	76	77	77	79	83	89	/	/	4-030	37.34
4-050	84	85	85	87	91	97	/	/	4-050	40.92
4-080	124	125	125	127	131	137	/	/	4-080	59.09
4-130	159	160	161	162	166	/	/	/	4-130	75.05
4-180	189	191	191	193	196	/	/	/	4-180	88.72

3.2 WEIGHTS

CHL	TH -[kg]	
	71	80
1-010	33	33
1-020	/	/
1-030	/	/
1-050	/	/
1-080	/	/
1-130	/	/
1-180	/	/
2-010	41	41
2-020	43	43
2-030	64	64
2-050	/	/
2-080	/	/
2-130	/	/
2-180	/	/
3-010	49	49
3-020	51	51
3-030	72	72
3-050	80	80
3-080	120	120
3-130	/	/
3-180	/	/
4-010	57	57
4-020	59	59
4-030	80	80
4-050	88	88
4-080	128	128
4-130	163	163
4-180	193	193

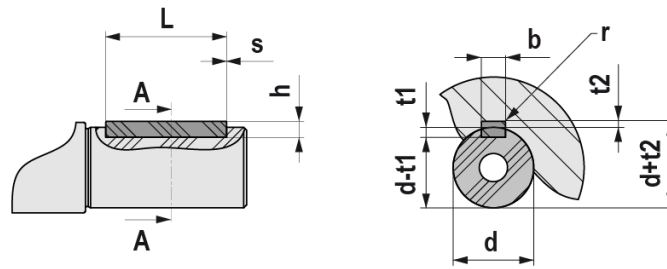
CHL	TP -[kg]						
	80	090S	090L	100	112	132S	132M
1-010	37	42	44	48	59	85	88
1-020	/	/	/	/	62	88	91
1-030	/	/	/	72	83	109	112
1-050	/	/	/	/	/	/	/
1-080	/	/	/	/	/	/	/
1-130	/	/	/	/	/	/	/
1-180	/	/	/	/	/	/	/
2-010	45	50	52	56	67	93	96
2-020	48	52	54	59	70	96	99
2-030	69	73	75	80	91	117	120
2-050	/	/	/	88	99	125	128
2-080	/	/	/	126	137	163	166
2-130	/	/	/	/	/	/	/
2-180	/	/	/	/	/	/	/
3-010	54	58	60	64	75	101	104
3-020	56	61	63	67	78	104	107
3-030	77	82	84	88	99	125	128
3-050	85	89	91	96	107	133	136
3-080	125	130	132	136	147	173	176
3-130	/	165	167	171	182	208	211
3-180	/	/	197	201	212	238	241
4-010	62	66	68	73	84	110	113
4-020	64	69	71	75	86	112	115
4-030	85	90	92	96	107	133	136
4-050	93	97	99	104	115	141	144
4-080	133	138	140	144	155	181	184
4-130	168	173	175	179	190	216	219
4-180	198	203	205	209	220	246	249

3.2 WEIGHTS

CHL	TBH -[kg]	
	71	80
1-010	35	36
1-020	/	/
1-030	/	/
1-050	/	/
1-080	/	/
1-130	/	/
1-180	/	/
2-010	43	44
2-020	45	47
2-030	66	68
2-050	/	/
2-080	/	/
2-130	/	/
2-180	/	/
3-010	51	52
3-020	53	55
3-030	74	76
3-050	82	83
3-080	122	124
3-130	/	/
3-180	/	/
4-010	59	60
4-020	61	63
4-030	82	84
4-050	90	92
4-080	130	132
4-130	166	167
4-180	196	197

CHL	TBP -[kg]						
	80	090S	090L	100	112	132S	132M
1-010	41	45	50	55	69	99	102
1-020	/	/	/	/	72	102	105
1-030	/	/	/	79	93	123	126
1-050	/	/	/	/	/	/	/
1-080	/	/	/	/	/	/	/
1-130	/	/	/	/	/	/	/
1-180	/	/	/	/	/	/	/
2-010	49	53	58	63	77	107	110
2-020	51	56	60	66	80	110	113
2-030	72	77	81	87	101	131	134
2-050	/	/	/	95	109	139	142
2-080	/	/	/	133	147	177	180
2-130	/	/	/	/	/	/	/
2-180	/	/	/	/	/	/	/
3-010	57	62	66	71	85	115	118
3-020	60	64	68	74	88	118	121
3-030	81	85	89	95	109	139	142
3-050	88	93	97	103	117	147	150
3-080	129	133	137	143	157	187	190
3-130	/	168	172	178	192	222	225
3-180	/	/	202	208	222	252	255
4-010	65	70	74	80	94	124	127
4-020	68	72	76	82	96	126	129
4-030	89	93	97	103	117	147	150
4-050	96	101	105	111	125	155	158
4-080	137	141	145	151	165	195	198
4-130	172	176	180	186	200	230	233
4-180	202	206	210	216	230	260	263

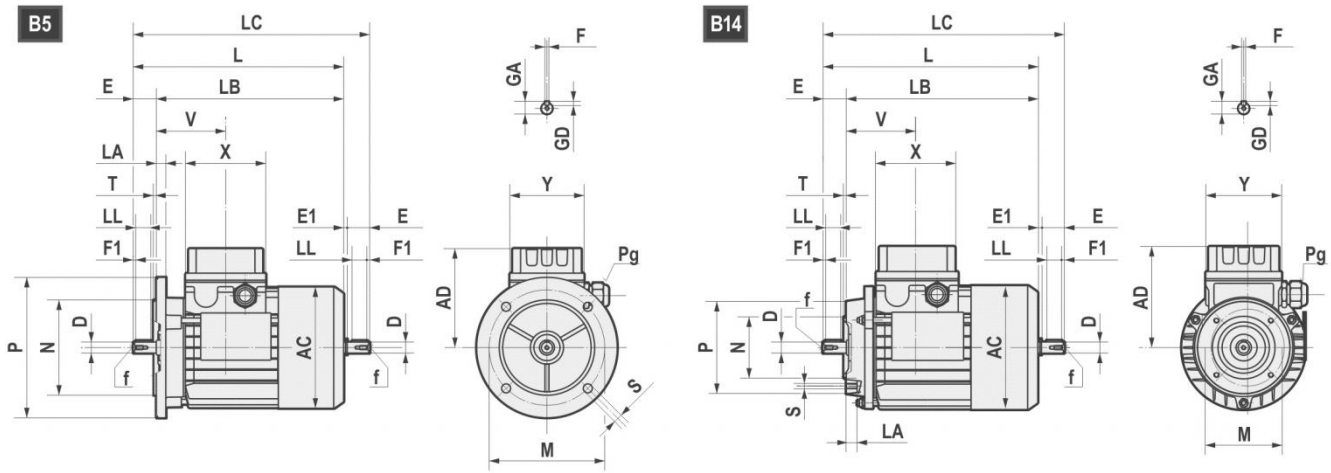
3.3 SHAFT END



UNI 6604 - DIN 6885														
d		b x h			Tol. b/h	L		$\frac{s}{\min / \max}$	b	t1	t2	Tol. t1/t2	r max	
	6	8	2	x	2	h9 / h9	6	20	0,16 0,25	2	1,2	0,1 0	0,08 0,16	
>	8	10	3	x	3		6	36		3	1,8			1,4
>	10	12	4	x	4		8	45		4	2,5			1,8
>	12	17	5	x	5		10	56	5	3	2,3	0,16 0,25		
>	17	22	6	x	6		14	70	6	3	2,8			
>	22	30	8	x	7	h9 / h11	18	90	0,25 0,4	8	4	3,3	0,25 0,4	
>	30	38	10	x	8		22	110		10	5	3,3		
>	38	44	12	x	8		28	140	12	5	3,3	0,2 0		
>	44	50	14	x	9		36	160	14	5,5	3,8			
>	50	58	16	x	10		45	180	16	6	4,3			
>	58	65	18	x	11		50	200	18	7	4,4			
>	65	75	20	x	12		56	110	20	7,5	4,9	0,4 0,6		
>	75	85	22	x	14		63	140	22	9	5,4			
>	85	95	25	x	14		70	160	25	9	5,4			
>	95	110	28	x	16		80	180	28	10	6,4			
>	110	130	32	x	18	90	200	32	11	7,4	0,3 0			
>	130	150	36	x	20	100	160	36	12	8,4				
>	150	170	40	x	22	110	180	40	13	9,4				
>	170	200	45	x	25	125	200	45	14	10,4	0,7 1			

3.4 ELECTRIC MOTORS

3.4.1 Electric motors



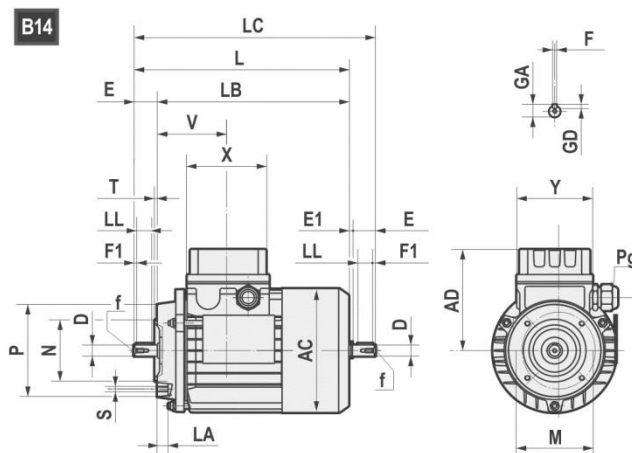
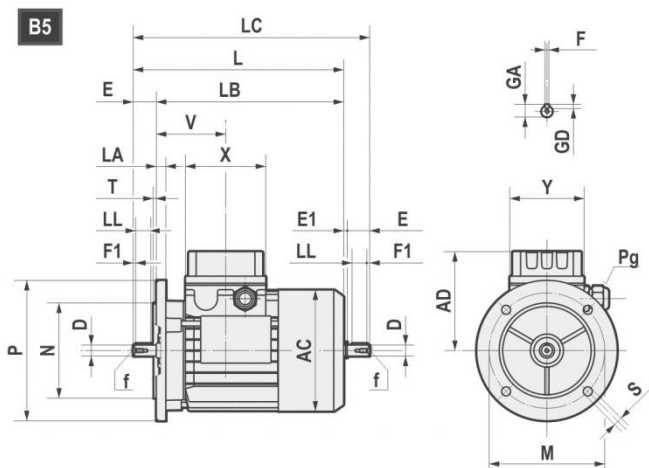
	AC	AD	L	LB	LC	X	Y	V	D	E	E1	f	F1	GA	F	GD
63	121	104	211	188	235,5	80	74	69	11 j6	23	1,5	M4x10	2,5	12,5	4	4
71	139	112	238,5	208,5	271	80	74	74,5	14 j6	30	2,5	M5x12,5	3	16	5	5
80	158	122	272,5 *296	232,5 *256	314 *337	80	74	78	19 j6	40	1,5	M6x16	5	21,5	6	6
90S	173	148	298 *331	248 *281	349,5 *381	98	98	89,5	24 j6	50	1,5	M8x19	5	27	8	7
90L	173	148	323 *356	273 *306	374,5 *408	98	98	89,5	24 j6	50	1,5	M8x19	5	27	8	7
100	191	156	368	308	431,5	98	98	97,5	28 j6	60	3,5	M10x22	7,5	31	8	7
112	211	171	382,5 *408	322,5 *348	447 *472	98	98	100	28 j6	60	3,5	M10x22	7,5	31	8	7
132S	249	195	452	372	536,5	118	118	115,5	38 k6	80	4	M12x28	10	41	10	8
132L	249	195	490	410	574,5	118	118	115,5	38 k6	80	4	M12x28	10	41	10	8
160S	249	195	520	410	/	118	118	115,5	42k6	100	/	M16x36	10	45	12	8

*TP80B4, SH80B4, HSH80B4, TP90S4, SH90S4, HSH90S4, TP90L4, SH90L4, HSH90L4, TP90S6, TP112M4, TP112M6

B5	M	N	P	LA	S	T
63	115	95	140	10	9	3
71	130	110	160	10	9,5	3,5
80	165	130	200	12	11	3,5
90	165	130	200	12	11	3,5
100	215	180	250	15	14	4
112	215	180	250	14,5	14	4
132	265	230	300	20	14	3,5
160	300	250	350	13	18,5	3,5

B14	M	N	P	LA	S	T
63	75	60	90	10	M5	2,5
71	85	70	105	10,5	M6	2,5
80	100	80	120	10,5	M6	3
90	115	95	140	11,5	M8	3
100	130	110	160	15	M8	3,5
112	130	110	160	11,5	M8	3,5
132	165	130	200	20,5	M10	3,5
160	215	180	250	-	M12	4

3.4 ELECTRIC MOTORS



		AC	AD	L	LB	X	D	E	f	GA	F	GD	LL	Pg	
160M	2-4-6	314	251	600	490	158	42	110	M16	45	12	8	90	2-M40x1,5	1-M16x1,5
160L	2-4-6	314	251	645	535	158	42	110	M16	45	12	8	90	2-M40x1,5	1-M16x1,5
180M	2-4	355	267	680	570	158	48	110	M16	51,5	14	9	100	2-M40x1,5	1-M16x1,5
180L	4-6	355	267	720	610	158	48	110	M16	51,5	14	9	100	2-M40x1,5	1-M16x1,5
200L	2-4-6	397	300	785	675	187	55	110	M20	59	16	10	100	2-M50x1,5	1-M16x1,5
225S	4	446	325	820	680	187	60	140	M20	64	18	11	125	2-M50x1,5	1-M16x1,5
225M	2	446	325	815	705	187	55	110	M20	59	16	10	100	2-M50x1,5	1-M16x1,5
225M	4-6	446	325	845	705	187	60	140	M20	64	18	11	125	2-M50x1,5	1-M16x1,5
250M	2-4-6	485	360	910	770	238	60	140	M20	64	18	11	125	2-M63x1,5	1-M16x1,5
250M	2-4-6	485	360	910	770	238	65	140	M20	69	18	11	125	2-M63x1,5	1-M16x1,5
280S	2-4-6	547	390	970	830	238	65	140	M20	69	18	11	125	2-M63x1,5	1-M16x1,5
280S	2-4-6	547	390	970	830	238	75	140	M20	79,5	20	12	125	2-M63x1,5	1-M16x1,5
280M	2-4-6	547	390	1025	885	238	65	140	M20	69	18	11	125	2-M63x1,5	1-M16x1,5
280M	2-4-6	547	390	1025	885	238	75	140	M20	79,5	20	12	125	2-M63x1,5	1-M16x1,5

B5	M	N	P	LA	S	T
160	300	250	350	13	19	5
180	300	250	350	15	19	5
200	350	300	400	17	19	5
225	400	350	450	20	19	5
250	500	450	550	22	19	5
280	500	450	550	22	19	5

3.4.2 Standard high efficiency (TS), high (TH, SH, HSH) and premium (TP) motors

Motovario, three-phase, single polarity motors are available in three different versions (IE1-IE2-IE3) in compliance with standard 60034-30-1. The efficiency value is calculated according to the method set forth in standard IEC 60034-2-1.

1. IE1: TS series (standard efficiency) for nominal power less than 0.12 kW,;
2. IE2: TH series (high efficiency) for nominal power greater than or equal to 0.12 kW and less than 0.75 kW;
3. IE3: TP series (premium efficiency) (*) 4 poles for nominal power greater than or equal to 0.12 kW, 2 and 6 poles for nominal power greater than or equal to 0.75 kW.

Motovario single-phase, single-polarity motors are available in IE2 efficiency class according to IEC 60034-30-1 for nominal power ratings higher than or equal to 0.12 kW and lower than or equal to 2.2 kW. The efficiency value is calculated according to the method set forth in standard IEC 60034-2-1.

Table of Motovario commercial availability

NOMINAL POWER [kW]	EFFICIENCY LEVEL		
	IE1	IE2	IE3
P_n < 0,12	TS-TBS	-	-
0,12 ≤ P_n < 0,75	-	TH-TBH SH-HSH	TP-TBP (**)
P_n ≥ 0,75	-	SH-HSH	TP-TBP

(*) Motor TP100LA4 2,2 kW and all TP 6 poles motors are available at 60Hz only upon request. As a consequence, these motors are in IE3 efficiency level at 50 Hz and IE2 at 60 Hz in case of bifrequency electrical design (standard 230/400-265/460V 50-60Hz and optional 200/346-220/380V 50-60Hz, 290/500-330/575V 50-60Hz and 400/690-460/800V 50-60Hz, see chapter on input voltage and frequency).

(**) Only 4 poles.

3.4 ELECTRIC MOTORS

3.4.3 Nominal power - [kW]

P.	63A			63B		63C	63D	71A		71B		71C
	TS	TH	TP	TH	TP	TH	TH	TH	TP	TH	TP	TH
2	-	0,18	-	0,25	-	0,37	-	0,37	-	0,55	-	-
4	-	0,12	0,12	0,18	0,18	-	0,25	0,25	0,25	0,37	0,37	0,55
6	0,09	-	-	0,12	-	-	-	0,18	-	0,25	-	0,37

P.	80A		80B		90S	90L	100LR	100LA	100L	112MR	112MS	112M
	TH	TP	TH	TP	TP	TP	TP	TP	TP	TP	TP	TP
2	-	0,75	-	1,1	1,5	2,2	-	-	3	-	-	4
4	0,55	0,55	-	0,75	1,1	1,5	-	2,2	-	2,2	3	4
6	0,37	-	0,55	-	0,75	-	1,1	-	1,5	-	-	2,2

P.	132S	132MS	132MA	132MB	132M
	TP	TP	TP	TP	TP
2	5,5	-	-	-	7,5
4	-	5,5	-	-	7,5
6	3	-	4	5,5	-

P.	160M	160MA	160MB	160L	160LA	180M	180L
	TP	TP	TP	TP	TP	TP	TP
2	-	11	15	18,5	-	22	-
4	-	11	-	-	15	18,5	22
6	7,5	-	-	11	-	-	15

P.	200L	200LA	200LB	225S	225M	250M	280S	280M
	TP	TP	TP	TP	TP	TP	TP	TP
2	-	30	37	-	-	-	-	-
4	30	-	-	37	45	55	75	90
6	-	18,5	22	-	-	-	-	-

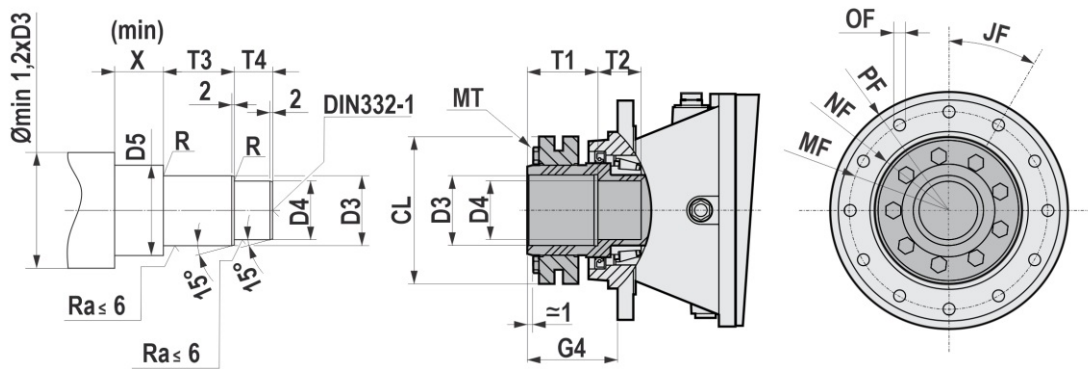
4.1 LOW SPEED SHAFTS

4.1.1 Shrink disk shaft HM1-HM0

Clean and degrease the surfaces of the shaft to be fitted to. Comply with the indicated tightening torque of screws (M_T).

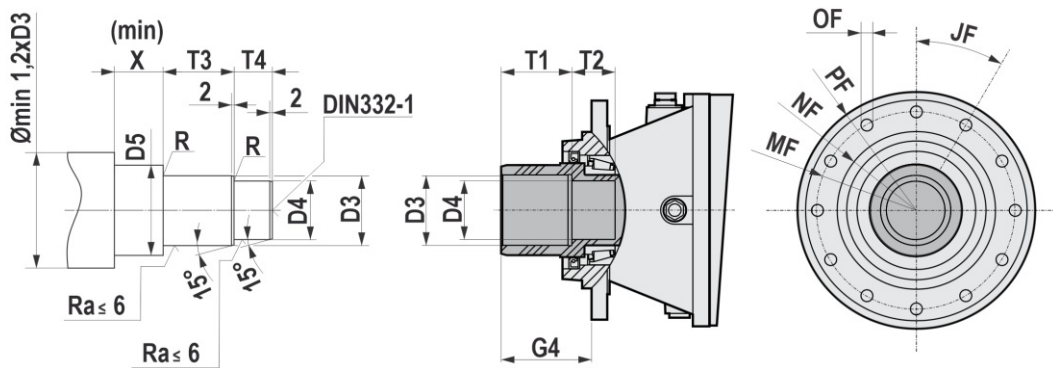
Hollow shaft with shrink disk HM1

010-130



Hollow shaft for shrink disk HM0

010-130



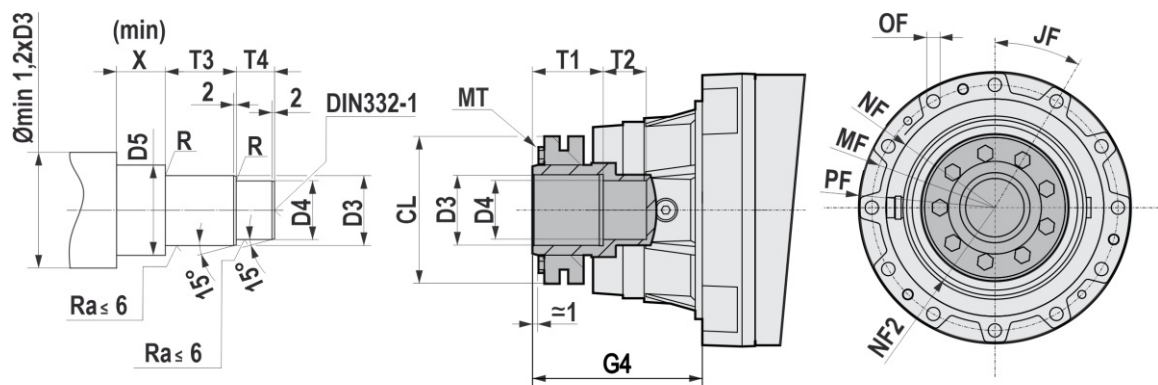
HPL	D3	D4	D5 (-0,2/-0,4)	G4	R	T1	T2	T3	T4	X (min)	CL	M_T 12,9 [Nm]
010	52 (H6/g6)	35 (H7/g6)	62	50	1,6	42	18	39	18	15	110	12
020	52 (H6/g6)	35 (H7/g6)	62	50	1,6	42	18	39	18	15	110	12
030	75 (H6/g6)	65 (H7/g6)	100	85	1,6	70	30	67	30	15	170	30
050	75 (H6/g6)	65 (H7/g6)	100	85	1,6	70	30	67	30	15	170	30
080	90 (H7/g6)	75 (H7/g6)	115	115	1,6	90	55	87	55	15	188	59
130	100 (H7/g6)	85 (H7/g6)	130	120	1,6	100	44	97	44	15	215	59

	PF	MF	NF f7	GF	JF	OF
010 020	186	165	110	6	45°	10,5 n°8
030 050	222	195	150	15	36°	12,5 n°10
080	280	250	200	40	30°	15 n°12
130	325	295	230	36	36°	16,5 n°10

4.1 LOW SPEED SHAFTS

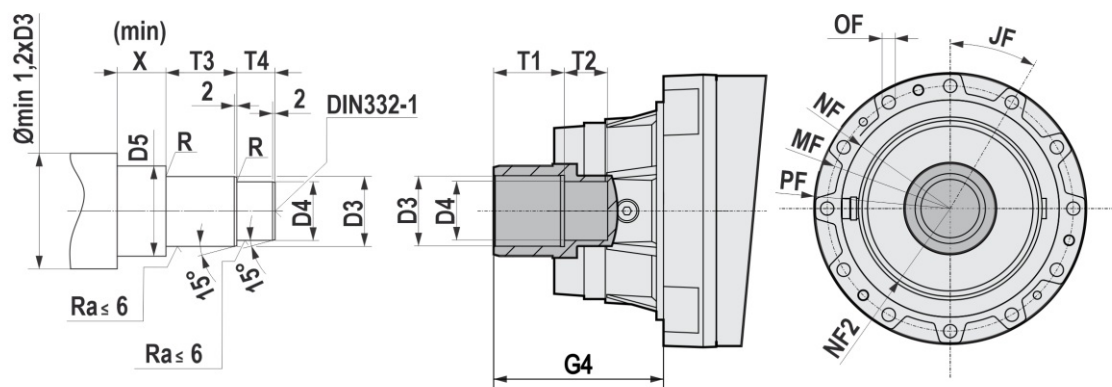
Hollow shaft with shrink disk HM1

180



Hollow shaft for shrink disk HMO

180



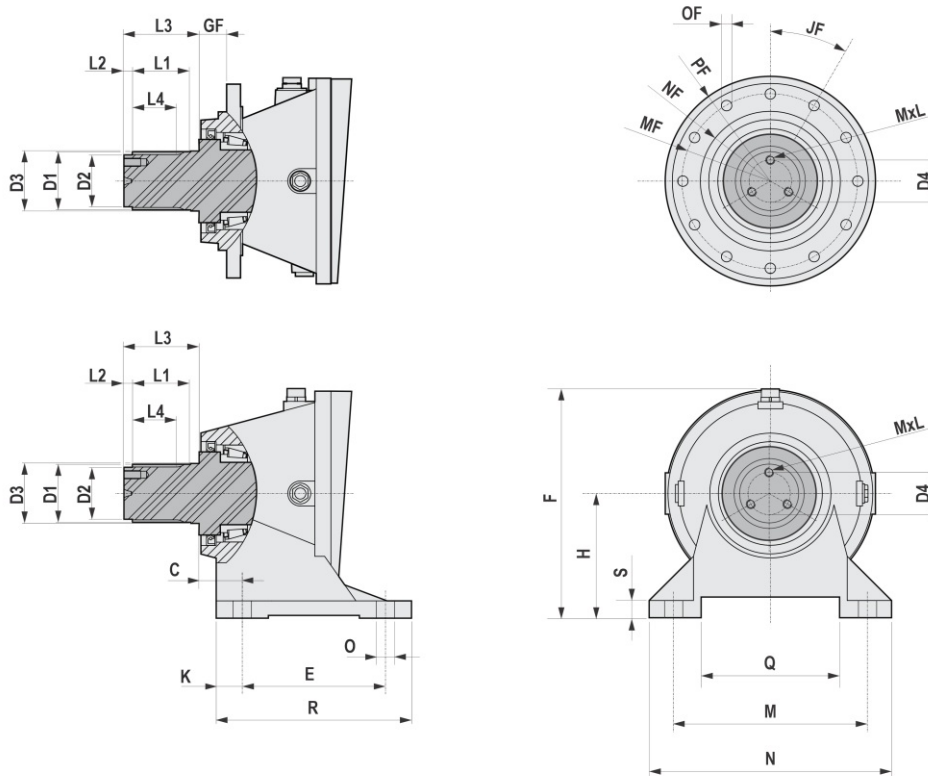
HPL	D3	D4	D5 (-0,2/-0,4)	G4	R	T1	T2	T3	T4	X (min)	CL	M _T 12,9 [Nm]
180	90 (H7/g6)	120 (H7/g6)	165	194,5	1,6	140	25	137	25	15	290	250

	PF	MF	NF f7	NF2 f7	GF	GF2	JF	OF	TF	TF2	
180	345	314	278	225	141	73,5	30°	17	n°12	9	25,5

4.1 LOW SPEED SHAFTS

4.1.2 Splined solid shaft SS

010-130



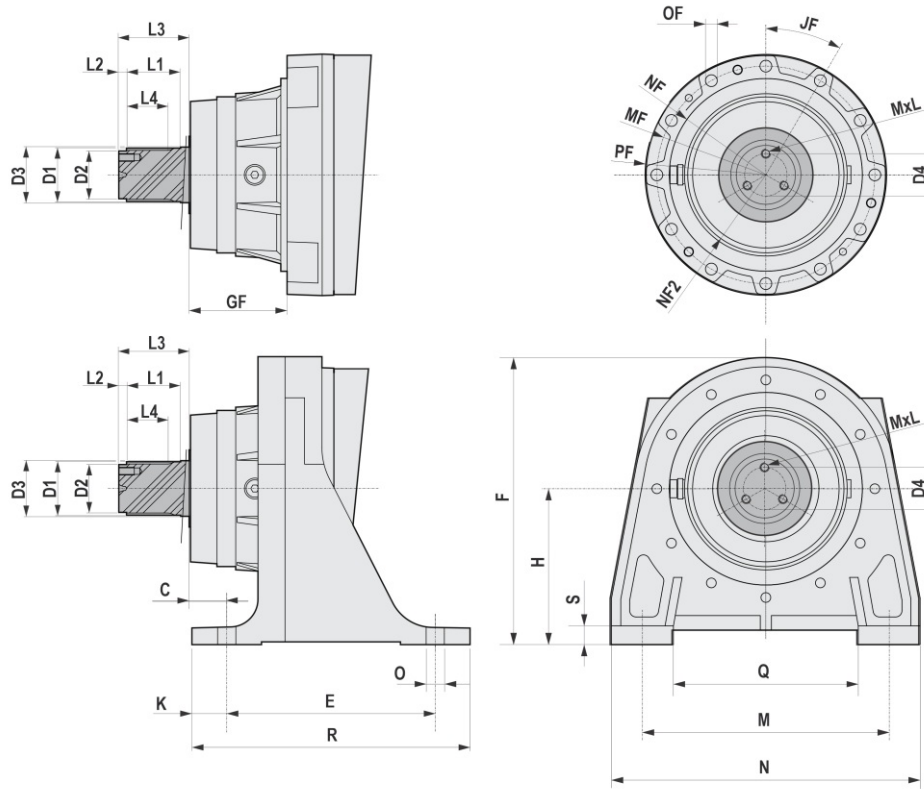
HPL	D1 (DIN5482)	D2 (f7)	D3 (f7)	D4	L1	L2	L3	L4	MxL
010	B40x36 DIN5482	35	42	24	43	5	55	31	M6x13
020	B40x36 DIN5482	35	42	24	43	5	55	31	M6x13
030	B58x53 DIN5482	50	60	32	52	8	68	38	M10x20
050	B58x53 DIN5482	50	60	32	52	8	68	38	M10x20
080	B70x64 DIN5482	62	72	45	70	10	90	53	M10x20
130	B80x74 DIN5482	70	85	45	71	9	90	50	M12x24

	C	E	F	H	K	M	N	O	Q	R	S	
010	24	138	233	132	21	216	260	17	n°4	148	180	16
020	24	138	233	132	21	216	260	17	n°4	148	180	16
030	39	169	284	160	33	254	312	18	n°4	172	235	20
050	39	169	284	160	33	254	312	18	n°4	172	235	20
080	65	201	330,5	180	40	279	350	22	n°4	185	281	25
130	66	219	375	200	35	318	390	26	n°4	220	289	27

	PF	MF	NF f7	GF	JF	OF
010 020	186	165	110	6	45°	n°8
030 050	222	195	150	15	36°	n°10
080	280	250	200	40	30°	n°12
130	325	295	230	36	36°	n°10

4.1 LOW SPEED SHAFTS

180



HPL	D1 (DIN5482)	D2 (f7)	D3 (f7)	D4	L1	L2	L3	L4	MxL
180	B80x74 DIN5482	70	85	45	71	9	90	50	M12x24

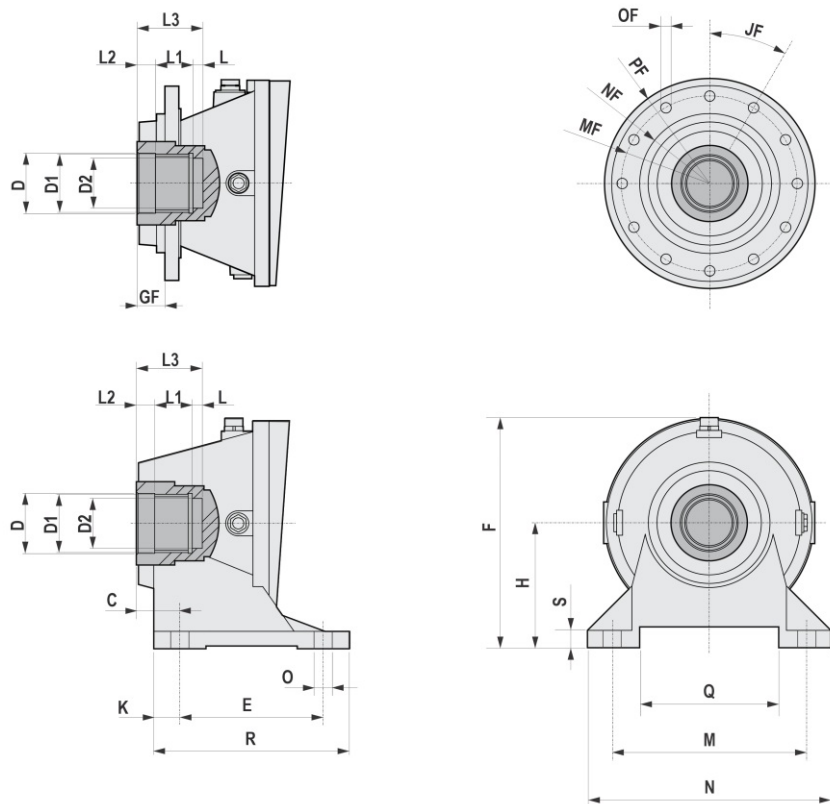
	C	E	F	H	K	M	N	O	Q	R	S	
180	54	300	415	225	50	356	445	26	n°4	266	400	25

	PF	MF	NF f7	NF2 f7	GF	GF2	JF	OF	TF	TF2	
180	345	314	278	225	141	73,5	30°	17	n°12	9	25,5

4.1 LOW SPEED SHAFTS

4.1.3 Splined hollow shaft HS

010-130



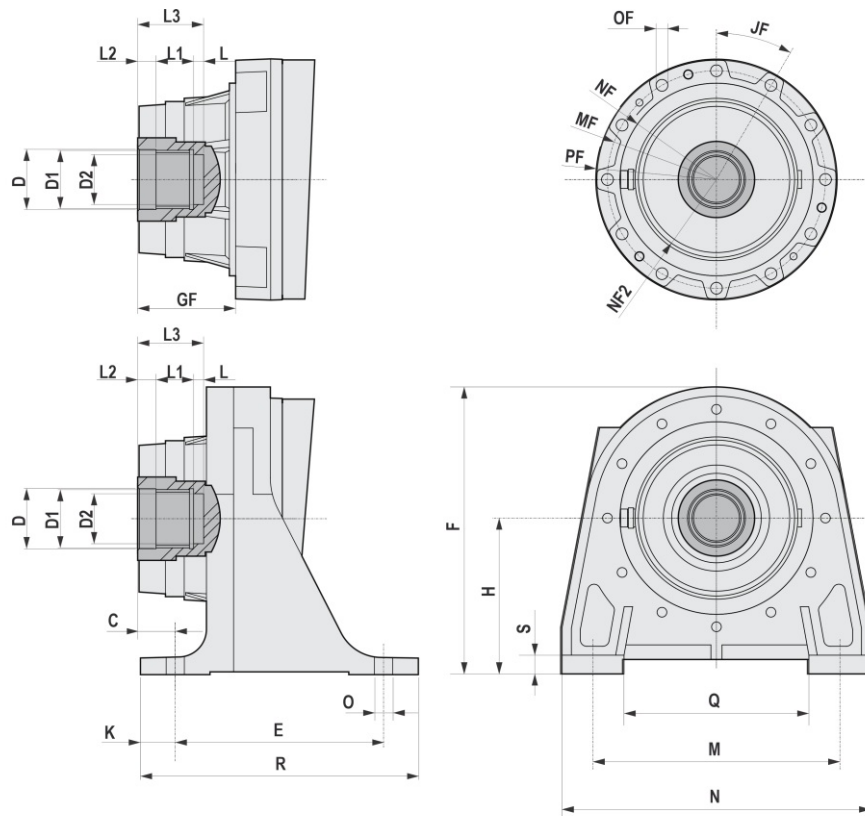
HPL	D1 (DIN5482)	D	D2 (H8)	L	L1	L2	L3
010	A40x36 DIN5482	42 H7	35	12,5	22	8	42,5
020	A40x36 DIN5482	42 H7	35	12,5	22	8	42,5
030	A58x53 DIN5482	60 H8	50	10	29	15	54
050	A58x53 DIN5482	60 H8	50	10	29	15	54
080	A70x64 DIN5482	72 H8	60	12	45	22	79
130	A80x74 DIN5482	85 H8	70	12	51	24	87

	C	E	F	H	K	M	N	O	Q	R	S	
010	24	138	233	132	21	216	260	17	n°4	148	180	16
020	24	138	233	132	21	216	260	17	n°4	148	180	16
030	39	169	284	160	33	254	312	18	n°4	172	235	20
050	39	169	284	160	33	254	312	18	n°4	172	235	20
080	65	201	330,5	180	40	279	350	22	n°4	185	281	25
130	66	219	375	200	35	318	390	26	n°4	220	289	27

	PF	MF	NF f7	GF	JF	OF
010 020	186	165	110	6	45°	10,5 n°8
030 050	222	195	150	15	36°	12,5 n°10
080	280	250	200	40	30°	15 n°12
130	325	295	230	36	36°	16,5 n°10

4.1 LOW SPEED SHAFTS

180

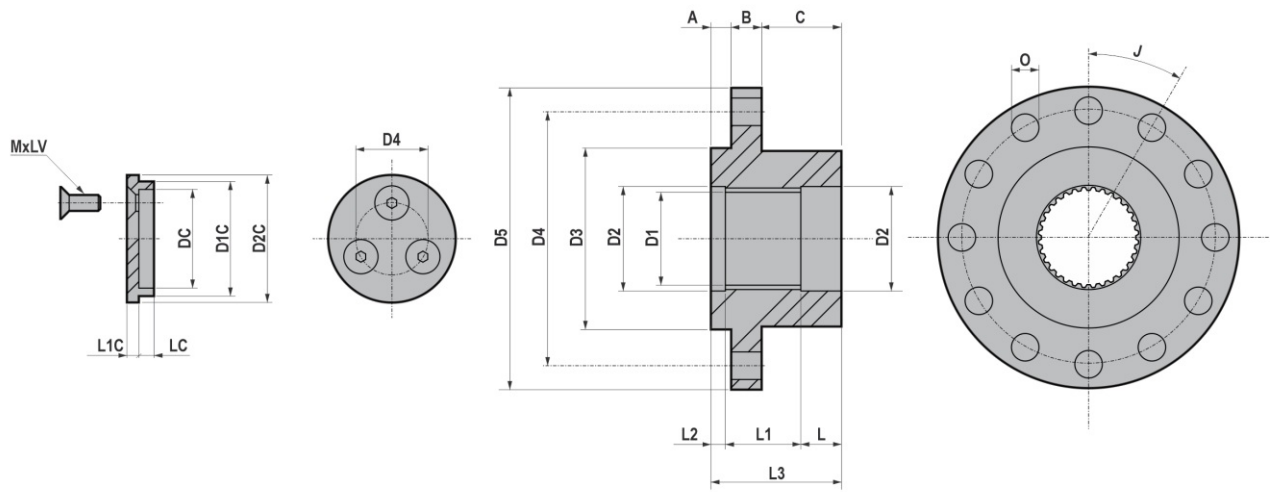


HPL	D1 (DIN5482)	D	D2 (H8)	L	L1	L2	L3
180	A80x74 DIN5482	88 H8	81	-	80	7	87

	C	E	F	H	K	M	N	O	Q	R	S	
180	54	300	415	225	50	356	445	26	n°4	266	400	25

	PF	MF	NF f7	NF2 f7	GF	GF2	JF	OF	TF	TF2	
180	345	314	278	225	141	73,5	30°	17	n°12	9	25,5

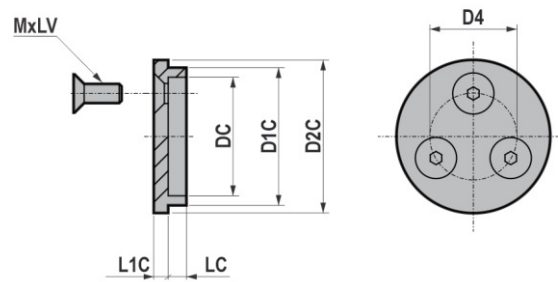
4.2 WHEEL FLANGE



HPL	D1 (DIN5482)	D2 (H7)	D3 (f7)	D4	D5	A	B	C	L	L1	L2	L3	J	O
010	A40x36 H10 DIN 5482	42	60	125	147	8	10	37	21	29	5	55	60	10,5 (n°6)
020	A40x36 H10 DIN 5482	42	60	125	147	8	10	37	21	29	5	55	60	10,5 (n°6)
030	A58x53 H10 DIN5482	60	95	145	165	10	14	44	24	35	9	68	30	12,5 (n°12)
050	A58x53 H10 DIN5482	60	95	145	165	10	14	44	24	35	9	68	30	12,5 (n°12)
080	A70x64 H10 DIN 5482	72	125	175	208	14	21	45	28	52	10	90	30	19 (n°12)
130	A80x74 H10 DIN 5482	80	125	175	208	14	20	56	30	49	11	90	30	19 (n°12)
180	A80x74 H10 DIN 5482	80	125	175	208	14	20	56	30	49	11	90	30	19 (n°12)

HPL	DC (H7)	D1C (f7)	D2C	D4	LC	L1C	MxLV
010	35	42	52	24	4,5	4,5	M6x16 (n°3)
020	35	42	52	24	4,5	4,5	M6x16 (n°3)
030	50	62	70	32	7,5	7,5	M10x25 (n°3)
050	50	62	70	32	7,5	7,5	M10x25 (n°3)
080	62	72	80	45	8,5	7,5	M10x25 (n°3)
130	70	80	92	45	8	8	M12x25 (n°3)
180	70	80	92	45	8	8	M12x25 (n°3)

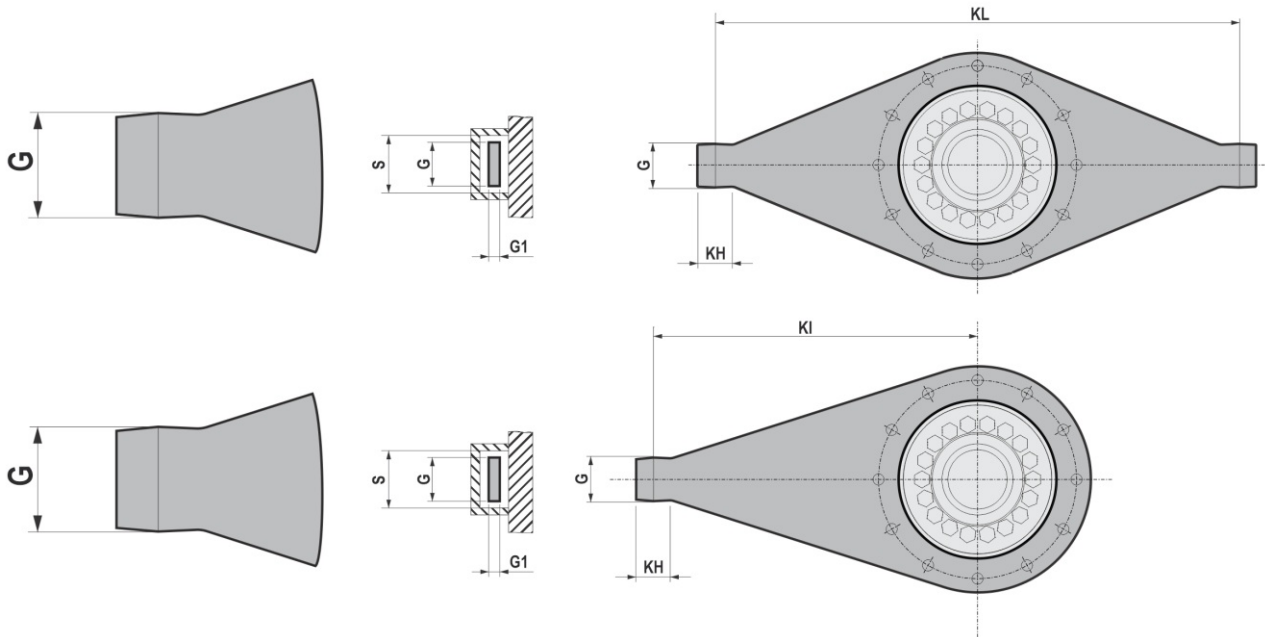
4.3 AXIAL FIXING WASHER



HPL	DC (H7)	D1C (F7)	D2C	D4	LC	L1C	MxLV
010	35	42	52	24	4,5	4,5	M6x16 (n°3)
020	35	42	52	24	4,5	4,5	M6x16 (n°3)
030	50	62	70	32	7,5	7,5	M10x25 (n°3)
050	50	62	70	32	7,5	7,5	M10x25 (n°3)
080	62	72	80	45	8,5	7,5	M10x25 (n°3)
130	70	80	92	45	8	8	M12x25 (n°3)
180	70	80	92	45	8	8	M12x25 (n°3)

4.4 SHAFT MOUNTING FASTENING

At customer's charge.



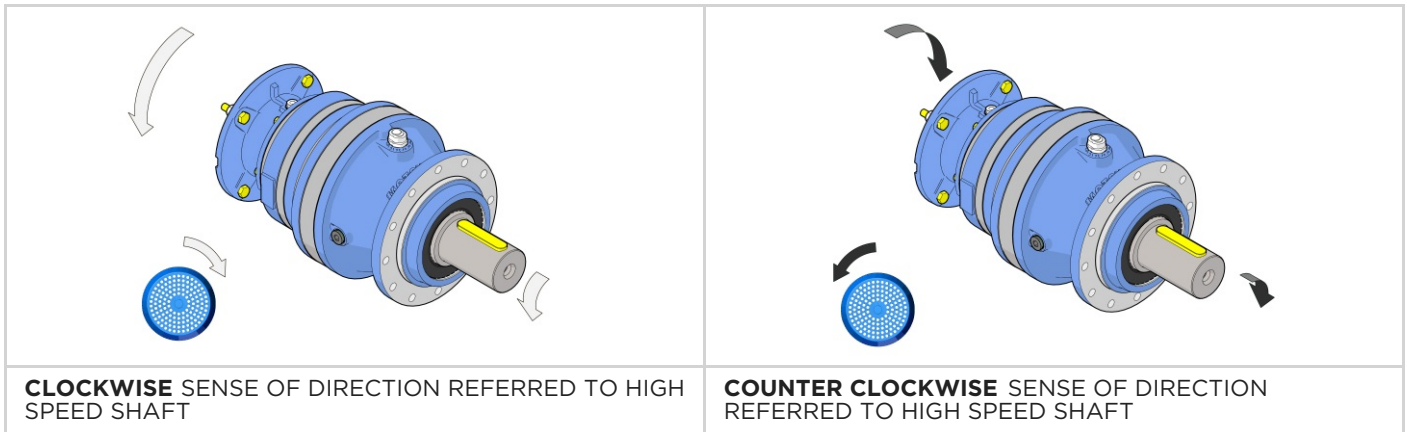
HPL	KI	KL	KH	G	G1	S
010	325	520	30	40	8	42
020	325	520	30	40	8	42
030	400	640	35	44	12	46
050	400	640	35	44	12	46
080	490	800	45	55	14	57
130	490	700	50	60	22	62
180	600	900	50	60	24	62

Suggested values.

4.5 BACKSTOP DEVICE

The gear reducer can be supplied with backstop device on input shaft. Backstop device allows output shaft rotation in only one sense of direction; according to the size, it is available in the input flange or in the motor with the same dimensions. It is important to specify the required sense of direction on the order. The backstop device is not available for mounting position V1/V5 with motor size IEC 100...225.

SENSE OF DIRECTION AVAILABLE

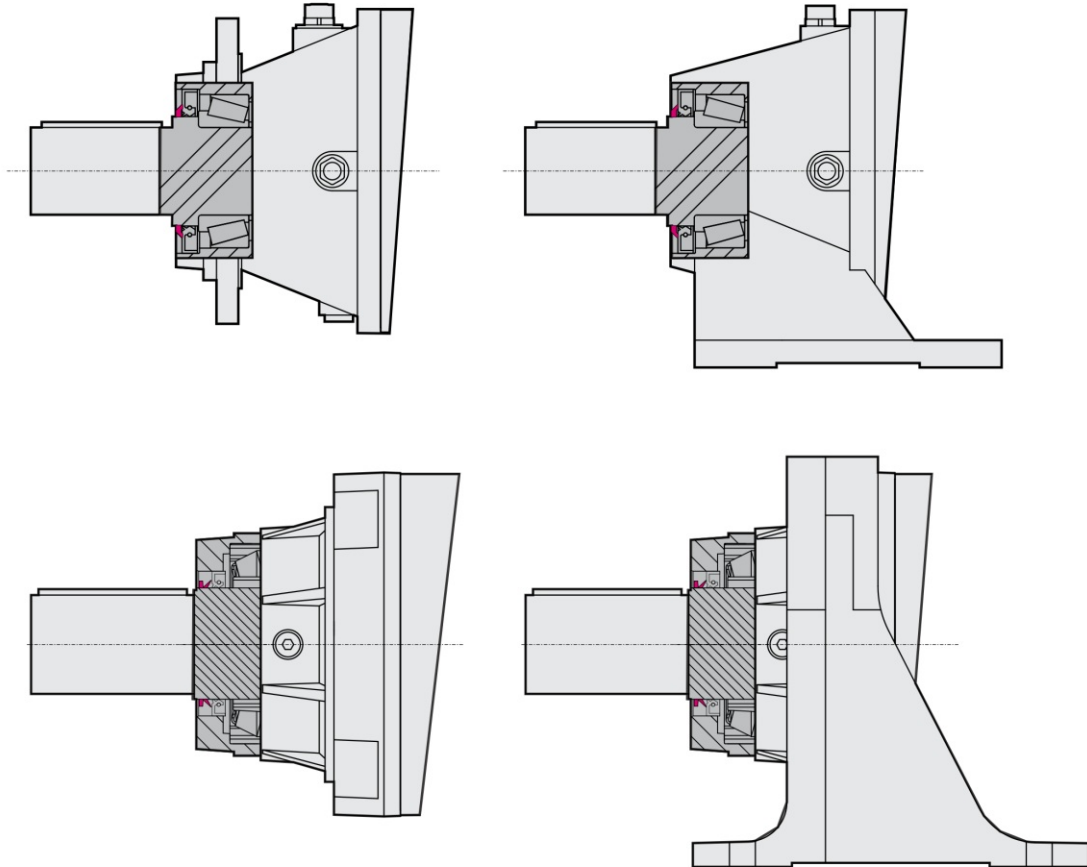


		71	80	90	100-112	132	160	180	200	225
		160x14	200x19	200x24	250x28	300x38	350x42	350x48	400x55	450x60
HL 1	010/020/030	/	/	/	B5	B5	B5	/	/	/
	050	/	/	/	/	/	B5	/	/	/
	HPL1 080	/	/	/	/	/	/	/	B5	/
	130	/	B5	B5	B5	B5	B5	B5	B5	/
	180/.../380	/	/	/	/	B5	B5	B5	B5	B5
HL 2	010	/	B5	B5	B5	B5	/	/	/	/
	020	/	B5	B5	B5	B5	B5	/	/	/
	030	/	/	B5	B5	B5	B5	/	/	/
	050/080	/	/	/	B5	B5	B5	/	/	/
	130/180	/	B5	B5	B5	B5	B5	B5	/	/
	220/380	/	B5	B5	B5	B5	B5	B5	B5	NO
HL 3	010	B5	B5	B5	/	/	/	/	/	/
	020/030	B5	B5	B5	B5	/	/	/	/	/
	050/080	/	B5	B5	B5	B5	B5	/	/	/
	130/380	B5	B5	B5	B5	B5	B5	B5	/	/
	220/380	B5	B5	B5	B5	B5	B5	B5	/	/
HL 4	020/030	B5	B5	/	/	/	/	/	/	/
	050	B5	B5	B5	/	/	/	/	/	/
	080	B5	B5	B5	B5	/	/	/	/	/
	130/.../380	B5	B5	B5	B5	B5	B5	/	/	/

4.6 REINFORCED OIL SEALS FOR OUTPUT SHAF.

The reinforced seal can be done depending on the gearbox size by means through the standard oil seal with VRM ring or VR ring. The difference of the two solutions is explained on the drawings.

On request the gear reducer can be supplied with fluoroelastomer FPM (FKM) seals.



HPL	VR ring	VRM ring
010		x
020		x
030		x
050		x
080		x
130		x
180	x	

0,25 kW

n_2 [rpm]	M_2 [Nm]	fs	i	Gear reducer	Motor Size	Pole	Fr_2 CS [N]	Fr_2 SS [N]
7,4	296	2,6	188	HL3 010	71A	4	23650	27000
6,4	341	2,8	216	HL3 010	71A	4	23650	27000
5,9	372	2,6	236	HL3 010	71A	4	23650	27000
4,7	468	2,1	297	HL3 010	71A	4	23800	27150
4,0	533	1,9	348	HL4 010	71A	4	24600	28100
3,7	582	1,5	369	HL3 010	71A	4	24700	28250
3,7	582	2,8	369	HL3 020	71A	4	24700	28250
3,2	663	1,6	433	HL4 010	71A	4	25000	28500
2,9	726	1,5	474	HL4 010	71A	4	25200	28800
2,9	726	2,8	474	HL4 020	71A	4	25200	28800
2,6	824	1,3	538	HL4 010	71A	4	25850	29300
2,6	824	2,6	538	HL4 020	71A	4	25850	29300
2,1	1024	1,1	668	HL4 010	71A	4	26200	29650
2,1	1024	2,1	668	HL4 020	71A	4	26200	29650
2,1	1024	2,8	668	HL4 030	71A	4	49750	57300
1,9	1133	1,0	740	HL4 010	71A	4	27000	30150
1,9	1133	2,0	740	HL4 020	71A	4	27000	30150
1,9	1133	2,5	740	HL4 030	71A	4	50500	58600
1,7	1242	0,9	811	HL4 010	71A	4	27300	30900
1,7	1242	1,8	811	HL4 020	71A	4	27300	30900
1,7	1272	2,1	831	HL4 030	71A	4	51400	59700
1,5	1408	1,6	919	HL4 020	71A	4	27400	31000
1,5	1408	2,0	919	HL4 030	71A	4	52150	60400
1,4	1559	1,5	1020	HL4 020	71A	4	27450	31050
1,4	1559	1,9	1020	HL4 030	71A	4	53000	61650
1,2	1773	1,4	1160	HL4 020	71A	4	27550	31200
1,2	1750	1,6	1140	HL4 030	71A	4	53600	62200
1,1	1937	1,3	1270	HL4 020	71A	4	27600	31350
1,1	1937	1,5	1270	HL4 030	71A	4	54800	63500
1,0	2204	1,3	1440	HL4 030	71A	4	55300	64200
1,0	2204	2,5	1440	HL4 050	71A	4	55300	64200
0,9	2439	1,0	1590	HL4 020	71A	4	27700	31800
0,9	2439	1,2	1590	HL4 030	71A	4	55850	65600
0,9	2439	2,4	1590	HL4 050	71A	4	55850	65600
0,8	2664	0,9	1740	HL4 020	71A	4	27800	32000
0,8	2664	1,0	1740	HL4 030	71A	4	56400	67100
0,8	2664	1,9	1740	HL4 050	71A	4	56400	67100
0,7	3031	0,9	1980	HL4 030	71A	4	56950	67750
0,7	3031	1,8	1980	HL4 050	71A	4	56950	67750
0,7	3204	2,7	2090	HL4 080	71A	4	78700	90700
0,6	3355	1,5	2190	HL4 050	71A	4	57500	68900
0,6	3494	1,3	2280	HL4 050	71A	4	57500	68900

0,25 kW

n_2 [rpm]	M_2 [Nm]	f_s	i	Gear reducer	Size	Motor Pole	Fr_2 CS [N]	Fr_2 SS [N]
0,6	3816	1,2	2490	HL4 050	71A	4	57500	68900
0,6	3471	2,9	2270	HL4 080	71A	4	79000	91100
0,6	3824	2,3	2500	HL4 080	71A	4	79000	91100
0,5	4170	1,3	2720	HL4 050	71A	4	58600	69800
0,5	4142	2,2	2710	HL4 080	71A	4	79500	91600
0,5	3843	2,9	2510	HL4 130	71A	4	95000	125000

0,37 kW

n_2 [rpm]	M_2 [Nm]	f_s	i	Gear reducer	Size	Motor Pole	Fr_2 CS [N]	Fr_2 SS [N]
10,2	317	2,8	138	HL3 010	71B	4	23200	26300
9,0	356	2,3	155	HL3 010	71B	4	23650	27000
8,1	400	2,3	174	HL3 010	71B	4	23650	27000
7,5	432	1,7	188	HL3 010	71B	4	23650	27000
6,5	497	1,9	216	HL3 010	71B	4	23650	27000
5,9	543	1,8	236	HL3 010	71B	4	23650	27000
4,7	683	1,4	297	HL3 010	71B	4	23800	27150
4,7	683	2,9	297	HL3 020	71B	4	23800	27150
4,5	712	2,8	309	HL3 030	71B	4	45550	52400
4,0	778	1,3	348	HL4 010	71B	4	24600	28100
4,0	778	2,6	348	HL4 020	71B	4	24600	28100
3,8	849	1,0	369	HL3 010	71B	4	24650	28150
3,8	849	1,9	369	HL3 020	71B	4	24650	28150
3,8	849	2,8	369	HL3 030	71B	4	46200	53650
3,3	979	2,1	425	HL3 030	71B	4	47100	54650
3,2	967	1,1	433	HL4 010	71B	4	25000	28500
3,2	967	2,1	433	HL4 020	71B	4	25000	28500
3,2	967	2,9	433	HL4 030	71B	4	47200	54800
3,0	1060	1,0	474	HL4 010	71B	4	25150	28600
3,0	1060	1,9	474	HL4 020	71B	4	25150	28600
3,0	1060	2,7	474	HL4 030	71B	4	47850	55100
2,6	1202	1,8	538	HL4 020	71B	4	25850	29300
2,6	1202	2,3	538	HL4 030	71B	4	48600	56450
2,1	1493	1,4	668	HL4 020	71B	4	26200	29650
2,1	1493	1,9	668	HL4 030	71B	4	49750	57300
1,9	1653	1,3	740	HL4 020	71B	4	27000	30150
1,9	1653	1,7	740	HL4 030	71B	4	50500	58600
1,7	1811	1,2	811	HL4 020	71B	4	27300	30900
1,7	1856	1,4	831	HL4 030	71B	4	51400	59700
1,7	1856	2,7	831	HL4 050	71B	4	51400	59700
1,5	2054	1,1	919	HL4 020	71B	4	27400	31000
1,5	2054	1,4	919	HL4 030	71B	4	52150	60400

5.1 HL GEARED MOTORS

0,37 kW

n_2 [rpm]	M_2 [Nm]	f_s	i	Gear reducer	Size	Motor Pole	Fr_2 CS [N]	Fr_2 SS [N]
1,5	2054	2,7	919	HL4 050	71B	4	52150	60400
1,4	2274	1,0	1020	HL4 020	71B	4	27450	31050
1,4	2274	1,3	1020	HL4 030	71B	4	53000	61650
1,4	2274	2,5	1020	HL4 050	71B	4	53000	61650
1,2	2587	0,9	1160	HL4 020	71B	4	27550	31200
1,2	2553	1,1	1140	HL4 030	71B	4	53600	62200
1,2	2553	2,1	1140	HL4 050	71B	4	53600	62200
1,1	2826	1,0	1270	HL4 030	71B	4	54800	63500
1,1	2826	2,0	1270	HL4 050	71B	4	54800	63500
1,0	3215	1,7	1440	HL4 050	71B	4	55300	64200
0,9	3559	1,6	1590	HL4 050	71B	4	55850	65600
0,9	3501	2,8	1570	HL4 080	71B	4	78000	90000
0,8	3887	1,3	1740	HL4 050	71B	4	56400	67100
0,8	4021	2,5	1800	HL4 080	71B	4	78300	90300
0,7	4422	1,2	1980	HL4 050	71B	4	56950	67750
0,7	4674	1,8	2090	HL4 080	71B	4	78700	90700
0,6	4895	1,0	2190	HL4 050	71B	4	57500	68900
0,6	5097	0,9	2280	HL4 050	71B	4	57500	68900
0,6	5064	2,0	2270	HL4 080	71B	4	79000	91100
0,6	5578	1,5	2500	HL4 080	71B	4	79000	91100
0,6	5606	2,0	2510	HL4 130	71B	4	92600	122000
0,5	6043	1,5	2710	HL4 080	71B	4	79500	91600

0,55 kW

n_2 [rpm]	M_2 [Nm]	f_s	i	Gear reducer	Size	Motor Pole	Fr_2 CS [N]	Fr_2 SS [N]
20,4	242	2,4	68,7	HL2 010	71C/80A	4	18400	20850
16,0	299	2,5	87,4	HL3 010	71C/80A	4	20200	22800
14,0	343	2,6	100	HL3 010	71C/80A	4	21200	24050
12,8	376	2,3	110	HL3 010	71C/80A	4	21900	24750
11,2	426	2,1	125	HL3 010	71C/80A	4	22650	25750
10,2	472	1,9	138	HL3 010	71C/80A	4	23200	26300
9,0	530	1,5	155	HL3 010	71C/80A	4	23650	27000
9,0	530	2,9	155	HL3 020	71C/80A	4	23650	27000
8,1	594	1,5	174	HL3 010	71C/80A	4	23650	27000
7,5	643	1,2	188	HL3 010	71C/80A	4	23650	27000
7,5	643	2,2	188	HL3 020	71C/80A	4	23650	27000
7,1	676	2,9	197	HL3 030	71C/80A	4	45100	51700
6,5	738	1,3	216	HL3 010	71C/80A	4	23650	27000
6,5	738	2,6	216	HL3 020	71C/80A	4	23650	27000
5,9	807	1,2	236	HL3 010	71C/80A	4	23650	27000
5,9	807	2,4	236	HL3 020	71C/80A	4	23650	27000

5.1 HL GEARED MOTORS

0,55 kW

n_2 [rpm]	M_2 [Nm]	f_s	i	Gear reducer	Motor Size	Pole	Fr_2 CS [N]	Fr_2 SS [N]
5,6	851	2,3	249	HL3 030	71C/80A	4	45100	51700
4,8	1002	2,3	293	HL3 030	71C/80A	4	45300	52000
4,7	1016	0,9	297	HL3 010	71C/80A	4	23800	27150
4,7	1016	1,9	297	HL3 020	71C/80A	4	23800	27150
4,5	1058	1,9	309	HL3 030	71C/80A	4	45550	52400
4,0	1157	1,7	348	HL4 020	71C/80A	4	24600	28100
4,0	1157	2,4	348	HL4 030	71C/80A	4	46000	53450
3,8	1262	1,3	369	HL3 020	71C/80A	4	24650	28150
3,8	1262	1,9	369	HL3 030	71C/80A	4	46200	53650
3,3	1455	1,4	425	HL3 030	71C/80A	4	47100	54650
3,3	1455	2,7	425	HL3 050	71C/80A	4	47100	54650
3,2	1437	1,4	433	HL4 020	71C/80A	4	25000	28500
3,2	1437	2,0	433	HL4 030	71C/80A	4	47200	54800
3,0	1575	1,3	474	HL4 020	71C/80A	4	25150	28600
3,0	1575	1,8	474	HL4 030	71C/80A	4	47850	55100
2,6	1786	1,2	538	HL4 020	71C/80A	4	25850	29300
2,6	1786	1,6	538	HL4 030	71C/80A	4	48600	56450
2,1	2220	1,0	668	HL4 020	71C/80A	4	26200	29650
2,1	2220	1,3	668	HL4 030	71C/80A	4	49750	57300
2,1	2220	2,5	668	HL4 050	71C/80A	4	49750	57300
1,9	2457	0,9	740	HL4 020	71C/80A	4	27000	30150
1,9	2457	1,2	740	HL4 030	71C/80A	4	50500	58600
1,9	2457	2,3	740	HL4 050	71C/80A	4	50500	58600
1,7	2759	0,9	831	HL4 030	71C/80A	4	51400	59700
1,7	2759	1,8	831	HL4 050	71C/80A	4	51400	59700
1,5	3053	0,9	919	HL4 030	71C/80A	4	52150	60400
1,5	3053	1,8	919	HL4 050	71C/80A	4	52150	60400
1,4	3380	1,7	1020	HL4 050	71C/80A	4	53000	61650
1,2	3795	1,4	1140	HL4 050	71C/80A	4	53600	62200
1,2	3783	2,5	1140	HL4 080	71C/80A	4	75450	87100
1,1	4200	1,4	1270	HL4 050	71C/80A	4	54800	63500
1,1	4188	2,5	1260	HL4 080	71C/80A	4	76400	88500
1,0	4779	1,1	1440	HL4 050	71C/80A	4	55300	64200
1,0	4748	2,1	1430	HL4 080	71C/80A	4	77500	89400
0,9	5290	1,1	1590	HL4 050	71C/80A	4	55850	65600
0,9	5204	1,9	1570	HL4 080	71C/80A	4	78000	90000
0,9	5173	2,9	1560	HL4 130	71C/80A	4	86500	114400
0,8	5977	1,7	1800	HL4 080	71C/80A	4	78300	90300
0,8	5883	2,5	1770	HL4 130	71C/80A	4	88000	116100
0,7	6948	1,2	2090	HL4 080	71C/80A	4	78700	90700
0,7	6429	2,3	1940	HL4 130	71C/80A	4	89100	117800
0,6	7527	1,3	2270	HL4 080	71C/80A	4	79000	91100

5.1 HL GEARED MOTORS

0,55 kW

n_2 [rpm]	M_2 [Nm]	f_s	i	Gear reducer	Size	Motor Pole	Fr_2 CS [N]	Fr_2 SS [N]
0,6	8292	1,0	2500	HL4 080	71C/80A	4	79000	91100
0,6	8333	1,3	2510	HL4 130	71C/80A	4	92600	122000
0,6	8333	2,0	2510	HL4 180	71C/80A	4	94400	122000
0,5	8983	1,0	2710	HL4 080	71C/80A	4	79500	91600

0,75 kW

n_2 [rpm]	M_2 [Nm]	f_s	i	Gear reducer	Size	Motor Pole	Fr_2 CS [N]	Fr_2 SS [N]
28,8	234	2,9	49,9	HL2 010	80B	4	16950	19250
22,4	292	2,9	64,2	HL3 010	80B	4	18200	20550
21,0	321	1,8	68,7	HL2 010	80B	4	18350	20750
17,9	366	2,3	80,6	HL3 010	80B	4	19600	22250
16,5	397	1,8	87,4	HL3 010	80B	4	20200	22800
14,4	455	1,9	100	HL3 010	80B	4	21000	23800
13,1	498	1,7	110	HL3 010	80B	4	21700	24500
11,6	565	1,5	125	HL3 010	80B	4	22450	25500
10,4	626	1,4	138	HL3 010	80B	4	23050	26150
10,4	626	2,8	138	HL3 020	80B	4	23050	26150
9,3	702	1,1	155	HL3 010	80B	4	23650	27000
9,3	702	2,1	155	HL3 020	80B	4	23650	27000
8,3	788	1,1	174	HL3 010	80B	4	23650	27000
8,3	788	2,3	174	HL3 020	80B	4	23650	27000
7,7	852	1,6	188	HL3 020	80B	4	23650	27000
7,3	896	2,1	197	HL3 030	80B	4	45100	51700
6,7	979	0,9	216	HL3 010	80B	4	23650	27000
6,7	979	1,9	216	HL3 020	80B	4	23650	27000
6,7	979	2,7	216	HL3 030	80B	4	45100	51700
6,1	1069	1,7	236	HL3 020	80B	4	23650	27000
5,8	1128	1,7	249	HL3 030	80B	4	45100	51700
4,9	1347	1,4	297	HL3 020	80B	4	23700	27050
4,9	1329	1,7	293	HL3 030	80B	4	45200	51850
4,7	1402	1,4	309	HL3 030	80B	4	45350	52100
4,7	1402	2,6	309	HL3 050	80B	4	45350	52100
4,1	1534	1,3	348	HL4 020	80B	4	24200	27650
4,1	1534	1,8	348	HL4 030	80B	4	45900	53250
3,9	1674	0,9	369	HL3 020	80B	4	24600	28100
3,9	1674	1,4	369	HL3 030	80B	4	46100	53550
3,9	1674	2,7	369	HL3 050	80B	4	46100	53550
3,5	1857	3,0	409	HL3 080	80B	4	65100	75150
3,4	1929	1,0	425	HL3 030	80B	4	47000	54500
3,4	1929	2,0	425	HL3 050	80B	4	47000	54500
3,3	1906	1,0	433	HL4 020	80B	4	24900	28400

5.1 HL GEARED MOTORS

0,75 kW

n_2 [rpm]	M_2 [Nm]	f_s	i	Gear reducer	Size	Motor Pole	Fr_2 CS [N]	Fr_2 SS [N]
3,3	1906	1,4	433	HL4 030	80B	4	47100	54650
3,3	1906	2,8	433	HL4 050	80B	4	47100	54650
3,0	2088	0,9	474	HL4 020	80B	4	25150	28600
3,0	2088	1,3	474	HL4 030	80B	4	47850	55100
3,0	2088	2,6	474	HL4 050	80B	4	47850	55100
2,7	2368	1,2	538	HL4 030	80B	4	48450	56100
2,7	2368	2,3	538	HL4 050	80B	4	48450	56100
2,2	2943	0,9	668	HL4 030	80B	4	49500	57200
2,2	2943	1,8	668	HL4 050	80B	4	49500	57200
2,0	3205	3,0	728	HL4 080	80B	4	70300	81150
1,9	3258	1,7	740	HL4 050	80B	4	50500	58600
1,7	3657	1,4	831	HL4 050	80B	4	51400	59700
1,7	3633	2,5	825	HL4 080	80B	4	72250	83400
1,6	4048	1,3	919	HL4 050	80B	4	51800	60050
1,6	3983	2,3	905	HL4 080	80B	4	72650	83900
1,4	4481	1,2	1020	HL4 050	80B	4	53000	61650
1,4	4408	2,2	1000	HL4 080	80B	4	74600	86150
1,3	5031	1,0	1140	HL4 050	80B	4	53300	62000
1,3	5016	1,8	1140	HL4 080	80B	4	75050	86650
1,3	4986	2,8	1130	HL4 130	80B	4	82300	107700
1,2	5446	2,6	1240	HL4 130	80B	4	83000	109300
1,1	5569	1,0	1270	HL4 050	80B	4	54800	63500
1,1	5552	1,8	1260	HL4 080	80B	4	76400	88500
1,0	6294	1,5	1430	HL4 080	80B	4	77500	89400
1,0	6196	2,3	1410	HL4 130	80B	4	85100	112000
0,9	6899	1,4	1570	HL4 080	80B	4	78000	90000
0,9	6858	2,1	1560	HL4 130	80B	4	86500	114400
0,8	7924	1,2	1800	HL4 080	80B	4	78300	90300
0,8	7800	1,8	1770	HL4 130	80B	4	88000	116100
0,8	7800	2,4	1770	HL4 180	80B	4	90300	116100
0,7	9211	0,9	2090	HL4 080	80B	4	78700	90700
0,7	8523	1,7	1940	HL4 130	80B	4	89100	117800
0,7	8523	2,5	1940	HL4 180	80B	4	91200	117800
0,6	9979	1,0	2270	HL4 080	80B	4	79000	91100
0,6	11048	1,0	2510	HL4 130	80B	4	92600	122000
0,6	11048	1,5	2510	HL4 180	80B	4	94400	122000

1,10 kW

n_2 [rpm]	M_2 [Nm]	f_s	i	Gear reducer	Size	Motor Pole	Fr_2 CS [N]	Fr_2 SS [N]
36,1	274	2,4	39,6	HL2 010	90S	4	15900	18000
28,6	345	2,0	49,9	HL2 010	90S	4	17000	19350

1,10 kW

n_2 [rpm]	M_2 [Nm]	f_s	i	Gear reducer	Size	Motor Pole	Fr_2 CS [N]	Fr_2 SS [N]
28,0	343	2,5	51,2	HL3 010	90S	4	17150	19500
22,3	431	2,0	64,2	HL3 010	90S	4	18200	20550
20,8	475	1,2	68,7	HL2 010	90S	4	18400	20850
20,8	475	2,4	68,7	HL2 020	90S	4	18400	20850
17,7	540	1,6	80,6	HL3 010	90S	4	19600	22250
16,4	586	1,3	87,4	HL3 010	90S	4	20200	22800
16,4	586	2,4	87,4	HL3 020	90S	4	20200	22800
14,3	672	1,3	100	HL3 010	90S	4	21100	23900
14,3	672	2,6	100	HL3 020	90S	4	21100	23900
13,0	736	1,2	110	HL3 010	90S	4	21750	24600
13,0	736	2,4	110	HL3 020	90S	4	21750	24600
12,5	766	2,5	114	HL3 030	90S	4	40450	46900
11,5	835	1,0	125	HL3 010	90S	4	22500	25600
11,5	835	2,1	125	HL3 020	90S	4	22500	25600
10,4	924	0,9	138	HL3 010	90S	4	23050	26150
10,4	924	1,9	138	HL3 020	90S	4	23050	26150
10,4	924	2,8	138	HL3 030	90S	4	43350	50300
9,2	1037	1,4	155	HL3 020	90S	4	23650	27000
9,2	1037	2,1	155	HL3 030	90S	4	45100	51700
8,3	1148	2,3	171	HL3 030	90S	4	45100	51700
8,2	1164	1,5	174	HL3 020	90S	4	23650	27000
7,6	1258	1,1	188	HL3 020	90S	4	23650	27000
7,2	1323	1,5	197	HL3 030	90S	4	45100	51700
7,2	1323	2,8	197	HL3 050	90S	4	45100	51700
6,6	1446	1,3	216	HL3 020	90S	4	23650	27000
6,6	1446	1,9	216	HL3 030	90S	4	45100	51700
6,1	1579	1,2	236	HL3 020	90S	4	23650	27000
5,8	1667	1,2	249	HL3 030	90S	4	45100	51700
5,8	1667	2,2	249	HL3 050	90S	4	45100	51700
4,9	1963	1,1	293	HL3 030	90S	4	45200	51850
4,9	1963	2,2	293	HL3 050	90S	4	45200	51850
4,8	1989	1,0	297	HL3 020	90S	4	23750	27100
4,6	2071	0,9	309	HL3 030	90S	4	45450	52250
4,6	2071	1,8	309	HL3 050	90S	4	45450	52250
4,1	2265	1,2	348	HL4 030	90S	4	45900	53250
4,1	2265	2,4	348	HL4 050	90S	4	45900	53250
4,0	2392	2,8	357	HL3 080	90S	4	64600	74400
3,9	2472	0,9	369	HL3 030	90S	4	46100	53550
3,9	2472	1,8	369	HL3 050	90S	4	46100	53550
3,5	2742	2,0	409	HL3 080	90S	4	65100	75150
3,4	2849	1,3	425	HL3 050	90S	4	47000	54500
3,3	2815	1,0	433	HL4 030	90S	4	47100	54650

5.1 HL GEARED MOTORS

1,10 kW

n_2 [rpm]	M_2 [Nm]	f_s	i	Gear reducer	Size	Motor Pole	Fr_2 CS [N]	Fr_2 SS [N]
3,3	2815	1,9	433	HL4 050	90S	4	47100	54650
3,0	3084	1,7	474	HL4 050	90S	4	47850	55100
2,7	3498	1,5	538	HL4 050	90S	4	48450	56100
2,7	3441	2,8	529	HL4 080	90S	4	67750	78150
2,4	3809	2,5	586	HL4 080	90S	4	69100	79750
2,2	4276	2,1	658	HL4 080	90S	4	69600	80250
2,1	4346	1,2	668	HL4 050	90S	4	49750	57300
2,0	4733	2,0	728	HL4 080	90S	4	70300	81150
1,9	4811	1,1	740	HL4 050	90S	4	50500	58600
1,8	5282	2,5	812	HL4 130	90S	4	78300	103100
1,7	5401	0,9	831	HL4 050	90S	4	51400	59700
1,7	5366	1,7	825	HL4 080	90S	4	72250	83400
1,6	5979	0,9	919	HL4 050	90S	4	51800	60050
1,6	5882	1,6	905	HL4 080	90S	4	72650	83900
1,6	5847	2,3	899	HL4 130	90S	4	80000	104800
1,5	6267	2,4	964	HL4 130	90S	4	81000	105900
1,5	6371	2,5	980	HL4 180	90S	4	82100	105900
1,4	6511	1,5	1000	HL4 080	90S	4	74600	86150
1,3	7408	1,3	1140	HL4 080	90S	4	75050	86650
1,3	7364	1,9	1130	HL4 130	90S	4	82300	107700
1,3	7364	2,8	1130	HL4 180	90S	4	84000	107700
1,2	8043	1,8	1240	HL4 130	90S	4	83000	109300
1,2	8043	2,6	1240	HL4 180	90S	4	84900	109300
1,1	8200	1,2	1260	HL4 080	90S	4	76400	88500
1,0	9296	1,0	1430	HL4 080	90S	4	77500	89400
1,0	9151	1,6	1410	HL4 130	90S	4	85100	112000
1,0	9151	2,4	1410	HL4 180	90S	4	87100	112000
0,9	10190	0,9	1570	HL4 080	90S	4	78000	90000
0,9	10129	1,4	1560	HL4 130	90S	4	86500	114400
0,9	10129	2,1	1560	HL4 180	90S	4	88500	114400
0,8	11520	1,3	1770	HL4 130	90S	4	88000	116100
0,8	11520	1,6	1770	HL4 180	90S	4	90300	116100
0,7	12587	1,2	1940	HL4 130	90S	4	89100	117800
0,7	12587	1,7	1940	HL4 180	90S	4	91200	117800
0,6	16317	1,0	2510	HL4 180	90S	4	94400	122000

1,50 kW

n_2 [rpm]	M_2 [Nm]	f_s	i	Gear reducer	Size	Motor Pole	Fr_2 CS [N]	Fr_2 SS [N]
49,6	272	2,3	28,8	HL2 010	90L	4	14650	16550
44,8	301	2,8	31,9	HL2 010	90L	4	15050	17950
36,1	374	1,8	39,6	HL2 010	90L	4	15900	18000

1,50 kW

n_2 [rpm]	M_2 [Nm]	f_s	i	Gear reducer	Size	Motor Pole	Fr_2 CS [N]	Fr_2 SS [N]
35,6	379	2,2	40,2	HL2 010	90L	4	15900	18000
28,6	471	1,4	49,9	HL2 010	90L	4	17000	19350
28,6	471	3,0	49,9	HL2 020	90L	4	17000	19350
28,0	468	1,8	51,2	HL3 010	90L	4	17150	19500
22,3	587	1,4	64,2	HL3 010	90L	4	18200	20550
22,3	587	2,9	64,2	HL3 020	90L	4	18200	20550
20,8	647	1,8	68,7	HL2 020	90L	4	18400	20850
19,5	670	2,8	73,3	HL3 030	90L	4	35550	41300
17,7	737	1,2	80,6	HL3 010	90L	4	19600	22250
17,7	737	2,3	80,6	HL3 020	90L	4	19600	22250
16,4	799	0,9	87,4	HL3 010	90L	4	20200	22800
16,4	799	1,8	87,4	HL3 020	90L	4	20200	22800
15,5	841	2,3	92,0	HL3 030	90L	4	37900	43900
14,3	916	0,9	100	HL3 010	90L	4	21100	23900
14,3	916	1,9	100	HL3 020	90L	4	21100	23900
14,3	916	2,8	100	HL3 030	90L	4	39200	45500
13,0	1004	1,7	110	HL3 020	90L	4	21750	24600
12,5	1045	1,8	114	HL3 030	90L	4	40450	46900
11,5	1138	1,5	125	HL3 020	90L	4	22500	25600
11,5	1138	2,3	125	HL3 030	90L	4	41750	48450
10,4	1260	1,4	138	HL3 020	90L	4	23050	26150
10,4	1260	2,1	138	HL3 030	90L	4	43350	50300
9,2	1414	1,0	155	HL3 020	90L	4	23650	27000
9,2	1414	1,6	155	HL3 030	90L	4	45100	51700
8,3	1566	1,7	171	HL3 030	90L	4	45100	51700
8,2	1587	1,1	174	HL3 020	90L	4	23650	27000
7,2	1805	1,1	197	HL3 030	90L	4	45100	51700
7,2	1805	2,0	197	HL3 050	90L	4	45100	51700
6,6	1972	0,9	216	HL3 020	90L	4	23650	27000
6,6	1972	1,4	216	HL3 030	90L	4	45100	51700
6,6	1972	2,7	216	HL3 050	90L	4	45100	51700
5,8	2273	1,6	249	HL3 050	90L	4	45100	51700
4,9	2676	1,6	293	HL3 050	90L	4	45200	51850
4,7	2806	2,9	307	HL3 080	90L	4	63250	73050
4,6	2824	1,3	309	HL3 050	90L	4	45450	52250
4,2	3106	2,8	340	HL3 130	90L	4	70150	91100
4,1	3089	1,7	348	HL4 050	90L	4	45900	53250
4,0	3262	2,1	357	HL3 080	90L	4	64600	74400
3,9	3371	1,4	369	HL3 050	90L	4	46100	53550
3,6	3505	2,3	395	HL4 080	90L	4	65050	75000
3,5	3739	1,5	409	HL3 080	90L	4	65100	75150
3,4	3885	1,0	425	HL3 050	90L	4	47000	54500

5.1 HL GEARED MOTORS

1,50 kW

n_2 [rpm]	M_2 [Nm]	f_s	i	Gear reducer	Size	Motor Pole	Fr_2 CS [N]	Fr_2 SS [N]
3,3	3838	1,4	433	HL4 050	90L	4	47100	54650
3,1	4137	2,3	467	HL4 080	90L	4	66150	76300
3,0	4205	1,3	474	HL4 050	90L	4	47850	55100
2,7	4770	1,1	538	HL4 050	90L	4	48450	56100
2,7	4692	2,1	529	HL4 080	90L	4	67750	78150
2,5	5000	2,9	564	HL4 130	90L	4	75150	98300
2,4	5194	1,9	586	HL4 080	90L	4	69100	79750
2,3	5613	2,6	633	HL4 130	90L	4	75700	99600
2,2	5831	1,6	658	HL4 080	90L	4	69600	80250
2,1	5927	0,9	668	HL4 050	90L	4	49750	57300
2,0	6454	1,5	728	HL4 080	90L	4	70300	81150
2,0	6213	2,4	701	HL4 130	90L	4	77100	101600
1,8	7203	1,8	812	HL4 130	90L	4	78300	103100
1,8	7203	2,7	812	HL4 180	90L	4	80100	103100
1,7	7317	1,2	825	HL4 080	90L	4	72250	83400
1,6	8021	1,1	905	HL4 080	90L	4	72650	83900
1,6	7973	1,7	899	HL4 130	90L	4	80000	104800
1,6	7973	2,5	899	HL4 180	90L	4	81600	104800
1,5	8546	1,8	964	HL4 130	90L	4	81000	105900
1,5	8688	1,8	980	HL4 180	90L	4	82100	105900
1,4	8879	1,1	1000	HL4 080	90L	4	74600	86150
1,3	10101	0,9	1140	HL4 080	90L	4	75050	86650
1,3	10041	1,4	1130	HL4 130	90L	4	82300	107700
1,3	10041	2,1	1130	HL4 180	90L	4	84000	107700
1,2	10968	1,3	1240	HL4 130	90L	4	83000	109300
1,2	10968	1,9	1240	HL4 180	90L	4	84900	109300
1,1	11181	0,9	1260	HL4 080	90L	4	76400	88500
1,0	12478	1,2	1410	HL4 130	90L	4	85100	112000
1,0	12478	1,7	1410	HL4 180	90L	4	87100	112000
0,9	13812	1,1	1560	HL4 130	90L	4	86500	114400
0,9	13812	1,6	1560	HL4 180	90L	4	88500	114400
0,8	15709	0,9	1770	HL4 130	90L	4	88000	116100
0,8	15709	1,2	1770	HL4 180	90L	4	90300	116100
0,7	17164	1,3	1940	HL4 180	90L	4	91200	117800

2,20 kW

n_2 [rpm]	M_2 [Nm]	f_s	i	Gear reducer	Size	Motor Pole	Fr_2 CS [N]	Fr_2 SS [N]
154,8	132	2,4	9,30	HL1 010	100LA/112MR	4	10200	11500
77,2	256	3,0	18,7	HL2 010	100LA/112MR	4	12400	14150
62,1	318	2,5	23,2	HL2 010	100LA/112MR	4	13650	15500
50,0	396	1,6	28,8	HL2 010	100LA/112MR	4	14600	16500

2,20 kW

n_2 [rpm]	M_2 [Nm]	f_s	i	Gear reducer	Motor Size	Pole	Fr_2 CS [N]	Fr_2 SS [N]
45,1	438	1,9	31,9	HL2 010	100LA/112MR	4	15050	17950
36,3	544	1,2	39,6	HL2 010	100LA/112MR	4	15900	18000
36,3	544	2,5	39,6	HL2 020	100LA/112MR	4	15900	18000
35,8	551	1,5	40,2	HL2 010	100LA/112MR	4	15900	18000
35,8	551	2,4	40,2	HL2 020	100LA/112MR	4	15900	18000
31,5	627	2,9	45,7	HL2 030	100LA/112MR	4	30200	35000
28,8	685	1,0	49,9	HL2 010	100LA/112MR	4	16950	19250
28,8	685	2,0	49,9	HL2 020	100LA/112MR	4	16950	19250
28,1	681	1,2	51,2	HL3 010	100LA/112MR	4	17150	19500
28,1	681	2,4	51,2	HL3 020	100LA/112MR	4	17150	19500
25,0	790	2,4	57,5	HL2 030	100LA/112MR	4	33000	38350
22,4	855	1,0	64,2	HL3 010	100LA/112MR	4	18200	20550
22,4	855	1,9	64,2	HL3 020	100LA/112MR	4	18200	20550
22,4	855	3,0	64,2	HL3 030	100LA/112MR	4	33950	39400
21,0	943	1,2	68,7	HL2 020	100LA/112MR	4	18350	20750
19,7	976	1,9	73,3	HL3 030	100LA/112MR	4	35400	41100
17,9	1073	1,6	80,6	HL3 020	100LA/112MR	4	19600	22250
17,9	1073	2,4	80,6	HL3 030	100LA/112MR	4	37000	42900
16,5	1164	1,2	87,4	HL3 020	100LA/112MR	4	20200	22800
15,7	1225	1,5	92,0	HL3 030	100LA/112MR	4	37700	43700
15,7	1225	2,9	92,0	HL3 050	100LA/112MR	4	37700	43700
14,4	1334	1,3	100	HL3 020	100LA/112MR	4	21000	23800
14,4	1334	1,9	100	HL3 030	100LA/112MR	4	39100	45400
13,1	1462	1,2	110	HL3 020	100LA/112MR	4	21700	24500
12,6	1522	1,3	114	HL3 030	100LA/112MR	4	40300	46750
12,6	1522	2,4	114	HL3 050	100LA/112MR	4	40300	46750
11,6	1658	1,0	125	HL3 020	100LA/112MR	4	22450	25500
11,6	1658	1,6	125	HL3 030	100LA/112MR	4	41600	48300
10,4	1835	0,9	138	HL3 020	100LA/112MR	4	23050	26150
10,4	1835	1,4	138	HL3 030	100LA/112MR	4	43350	50300
10,4	1835	2,8	138	HL3 050	100LA/112MR	4	43350	50300
9,3	2060	1,1	155	HL3 030	100LA/112MR	4	45100	51700
9,3	2060	2,1	155	HL3 050	100LA/112MR	4	45100	51700
8,4	2280	1,2	171	HL3 030	100LA/112MR	4	45100	51700
8,4	2280	2,3	171	HL3 050	100LA/112MR	4	45100	51700
7,4	2586	2,9	194	HL3 080	100LA/112MR	4	62700	72500
7,3	2628	1,4	197	HL3 050	100LA/112MR	4	45100	51700
6,8	2815	2,8	211	HL3 080	100LA/112MR	4	62700	72500
6,7	2872	0,9	216	HL3 030	100LA/112MR	4	45100	51700
6,7	2872	1,8	216	HL3 050	100LA/112MR	4	45100	51700
6,2	3086	2,1	232	HL3 080	100LA/112MR	4	62700	72500
5,9	3245	2,5	244	HL3 080	100LA/112MR	4	62700	72500

2,20 kW

n_2 [rpm]	M_2 [Nm]	f_s	i	Gear reducer	Motor Size	Pole	Fr_2 CS [N]	Fr_2 SS [N]
5,8	3310	1,1	249	HL3 050	100LA/112MR	4	45100	51700
5,4	3545	2,3	266	HL3 080	100LA/112MR	4	62700	72500
5,0	3873	2,1	291	HL3 080	100LA/112MR	4	62700	72500
5,0	3812	2,9	286	HL3 130	100LA/112MR	4	67500	88800
4,9	3898	1,1	293	HL3 050	100LA/112MR	4	45200	51850
4,7	4086	2,0	307	HL3 080	100LA/112MR	4	63250	73050
4,2	4524	1,9	340	HL3 130	100LA/112MR	4	70150	91100
4,2	4524	2,9	340	HL3 180	100LA/112MR	4	70700	91100
4,1	4498	1,2	348	HL4 050	100LA/112MR	4	45900	53250
4,0	4750	1,4	357	HL3 080	100LA/112MR	4	64600	74400
3,9	4909	0,9	369	HL3 050	100LA/112MR	4	46100	53550
3,6	5104	1,5	395	HL4 080	100LA/112MR	4	65050	75000
3,5	5446	1,0	409	HL3 080	100LA/112MR	4	65100	75150
3,5	5294	2,7	410	HL4 130	100LA/112MR	4	70900	93500
3,3	5590	1,0	433	HL4 050	100LA/112MR	4	47100	54650
3,2	5800	2,5	449	HL4 130	100LA/112MR	4	71800	94500
3,1	6026	1,6	467	HL4 080	100LA/112MR	4	66150	76300
2,8	6578	2,2	509	HL4 130	100LA/112MR	4	73550	96500
2,7	6834	1,4	529	HL4 080	100LA/112MR	4	67750	78150
2,6	7282	2,0	564	HL4 130	100LA/112MR	4	74450	97600
2,6	7282	2,8	564	HL4 180	100LA/112MR	4	76000	97600
2,5	7565	1,3	586	HL4 080	100LA/112MR	4	68650	79200
2,3	8175	1,8	633	HL4 130	100LA/112MR	4	75700	99600
2,2	8493	1,1	658	HL4 080	100LA/112MR	4	69600	80250
2,2	8442	2,2	654	HL4 180	100LA/112MR	4	77800	100200
2,1	9049	1,6	701	HL4 130	100LA/112MR	4	76500	100700
2,1	9049	2,3	701	HL4 180	100LA/112MR	4	78200	100700
2,0	9401	1,0	728	HL4 080	100LA/112MR	4	70300	81150
1,8	10491	1,3	812	HL4 130	100LA/112MR	4	78300	103100
1,8	10491	1,9	812	HL4 180	100LA/112MR	4	80100	103100
1,6	11613	1,2	899	HL4 130	100LA/112MR	4	80000	104800
1,6	11613	1,7	899	HL4 180	100LA/112MR	4	81600	104800
1,5	12447	1,2	964	HL4 130	100LA/112MR	4	81000	105900
1,5	12653	1,2	980	HL4 180	100LA/112MR	4	82100	105900
1,3	14625	1,0	1130	HL4 130	100LA/112MR	4	82300	107700
1,3	14625	1,4	1130	HL4 180	100LA/112MR	4	84000	107700
1,2	15974	1,3	1240	HL4 180	100LA/112MR	4	84900	109300
1,0	18174	1,2	1410	HL4 180	100LA/112MR	4	87100	112000
0,9	20117	1,1	1560	HL4 180	100LA/112MR	4	88500	114400

5.1 HL GEARED MOTORS

3,00 kW

n_2 [rpm]	M_2 [Nm]	f_s	i	Gear reducer	Size	Motor Pole	Fr_2 CS [N]	Fr_2 SS [N]
155,9	178	1,7	9,30	HL1 010	112MS	4	10200	11500
97,5	276	2,7	14,9	HL2 010	112MS	4	11700	13200
77,7	347	2,2	18,7	HL2 010	112MS	4	12350	14100
62,5	431	1,8	23,2	HL2 010	112MS	4	13600	15450
50,3	536	1,2	28,8	HL2 010	112MS	4	14600	16500
50,3	536	2,4	28,8	HL2 020	112MS	4	14600	16500
45,5	593	1,4	31,9	HL2 010	112MS	4	15050	17950
45,5	593	2,6	31,9	HL2 020	112MS	4	15050	17950
43,7	617	2,9	33,2	HL2 030	112MS	4	27750	32150
36,6	737	1,8	39,6	HL2 020	112MS	4	15850	17950
36,6	737	2,8	39,6	HL2 030	112MS	4	29350	33850
36,1	747	1,1	40,2	HL2 010	112MS	4	15900	18000
36,1	747	1,7	40,2	HL2 020	112MS	4	15900	18000
31,7	849	2,1	45,7	HL2 030	112MS	4	30150	34950
29,0	928	1,5	49,9	HL2 020	112MS	4	16950	19250
28,3	922	0,9	51,2	HL3 010	112MS	4	17100	19450
28,3	922	1,8	51,2	HL3 020	112MS	4	17100	19450
28,3	922	2,7	51,2	HL3 030	112MS	4	31600	36650
25,2	1070	1,7	57,5	HL2 030	112MS	4	33000	38350
22,6	1158	1,4	64,2	HL3 020	112MS	4	17900	20300
22,6	1158	2,2	64,2	HL3 030	112MS	4	33850	39250
19,8	1321	1,4	73,3	HL3 030	112MS	4	35300	41000
19,8	1321	2,7	73,3	HL3 050	112MS	4	35300	41000
18,0	1454	1,1	80,6	HL3 020	112MS	4	19600	22250
18,0	1454	1,7	80,6	HL3 030	112MS	4	36900	42800
15,8	1659	1,1	92,0	HL3 030	112MS	4	37700	43700
15,8	1659	2,1	92,0	HL3 050	112MS	4	37700	43700
14,5	1807	1,0	100	HL3 020	112MS	4	21000	23800
14,5	1807	1,4	100	HL3 030	112MS	4	39000	45300
14,5	1807	2,7	100	HL3 050	112MS	4	39000	45300
12,7	2061	0,9	114	HL3 030	112MS	4	40250	46650
12,7	2061	1,7	114	HL3 050	112MS	4	40250	46650
11,6	2245	1,1	125	HL3 030	112MS	4	41600	48300
11,6	2245	2,3	125	HL3 050	112MS	4	41600	48300
10,5	2485	1,0	138	HL3 030	112MS	4	43100	50050
10,5	2485	2,1	138	HL3 050	112MS	4	43100	50050
10,2	2571	3,0	143	HL3 080	112MS	4	62150	71850
9,4	2790	1,5	155	HL3 050	112MS	4	45100	51700
8,6	3038	2,8	168	HL3 080	112MS	4	62700	72500
8,5	3088	1,7	171	HL3 050	112MS	4	45100	51700
7,5	3502	2,1	194	HL3 080	112MS	4	62700	72500
7,3	3559	1,0	197	HL3 050	112MS	4	45100	51700

3,00 kW

n_2 [rpm]	M_2 [Nm]	f_s	i	Gear reducer	Size	Motor Pole	Fr_2 CS [N]	Fr_2 SS [N]
7,0	3753	2,8	208	HL3 130	112MS	4	67500	88800
6,9	3813	2,1	211	HL3 080	112MS	4	62700	72500
6,7	3889	1,3	216	HL3 050	112MS	4	45100	51700
6,5	4023	3,0	223	HL3 130	112MS	4	67500	88800
6,3	4179	1,6	232	HL3 080	112MS	4	62700	72500
6,0	4394	1,8	244	HL3 080	112MS	4	62700	72500
6,0	4326	2,5	240	HL3 130	112MS	4	67500	88800
5,4	4801	1,7	266	HL3 080	112MS	4	62700	72500
5,1	5162	2,1	286	HL3 130	112MS	4	67500	88800
5,1	5134	2,5	285	HL3 180	112MS	4	69000	88800
5,0	5244	1,5	291	HL3 080	112MS	4	62700	72500
4,7	5534	1,5	307	HL3 080	112MS	4	63250	73050
4,4	5769	2,5	330	HL4 130	112MS	4	68800	90500
4,3	6127	1,4	340	HL3 130	112MS	4	69000	90700
4,3	6127	2,1	340	HL3 180	112MS	4	70500	90700
4,1	6433	1,0	357	HL3 080	112MS	4	64400	74200
4,1	6257	2,3	358	HL4 130	112MS	4	70250	91500
3,7	6912	1,1	395	HL4 080	112MS	4	64950	74900
3,5	7169	2,0	410	HL4 130	112MS	4	70900	93500
3,5	7169	2,7	410	HL4 180	112MS	4	72550	93500
3,2	7855	1,8	449	HL4 130	112MS	4	71800	94500
3,2	7855	2,5	449	HL4 180	112MS	4	73500	94500
3,1	8161	1,2	467	HL4 080	112MS	4	66150	76300
2,8	8909	1,6	509	HL4 130	112MS	4	73550	96500
2,8	8909	2,3	509	HL4 180	112MS	4	75150	96500
2,7	9255	1,0	529	HL4 080	112MS	4	67750	78150
2,6	9861	1,5	564	HL4 130	112MS	4	74450	97600
2,6	9861	2,1	564	HL4 180	112MS	4	76000	97600
2,5	10245	0,9	586	HL4 080	112MS	4	68650	79200
2,3	11071	1,3	633	HL4 130	112MS	4	75700	99600
2,2	11433	1,6	654	HL4 180	112MS	4	77800	100200
2,1	12254	1,2	701	HL4 130	112MS	4	76500	100700
2,1	12254	1,7	701	HL4 180	112MS	4	78200	100700
1,8	14207	0,9	812	HL4 130	112MS	4	78300	103100
1,8	14207	1,4	812	HL4 180	112MS	4	80100	103100
1,6	15726	1,2	899	HL4 180	112MS	4	81600	104800
1,5	17136	0,9	980	HL4 180	112MS	4	82100	105900
1,3	19805	1,0	1130	HL4 180	112MS	4	84000	107700
1,2	21633	1,0	1240	HL4 180	112MS	4	84900	109300

5.1 HL GEARED MOTORS

4,00 kW

n_2 [rpm]	M_2 [Nm]	f_s	i	Gear reducer	Size	Motor Pole	Fr_2 CS [N]	Fr_2 SS [N]
196,4	189	2,3	7,38	HL1 010	112M	4	9400	10650
155,9	238	1,3	9,30	HL1 010	112M	4	10200	11500
155,9	238	2,6	9,30	HL1 020	112M	4	10200	11500
122,4	294	2,3	11,8	HL2 010	112M	4	10900	12300
97,5	368	2,0	14,9	HL2 010	112M	4	11700	13200
77,7	463	1,6	18,7	HL2 010	112M	4	12350	14100
62,5	575	1,4	23,2	HL2 010	112M	4	13600	15450
62,5	575	2,5	23,2	HL2 020	112M	4	13600	15450
54,2	663	2,7	26,7	HL2 030	112M	4	25700	29950
50,3	714	1,8	28,8	HL2 020	112M	4	14600	16500
50,3	714	2,9	28,8	HL2 030	112M	4	26200	30400
45,5	791	1,0	31,9	HL2 010	112M	4	15050	17950
45,5	791	2,0	31,9	HL2 020	112M	4	15050	17950
45,5	791	2,3	31,9	HL2 030	112M	4	27400	31750
43,7	823	2,2	33,2	HL2 030	112M	4	27750	32150
36,6	983	1,4	39,6	HL2 020	112M	4	15850	17950
36,6	983	2,1	39,6	HL2 030	112M	4	29350	33850
36,1	996	1,3	40,2	HL2 020	112M	4	15900	18000
31,7	1133	1,6	45,7	HL2 030	112M	4	30150	34950
29,0	1237	1,1	49,9	HL2 020	112M	4	16950	19250
28,3	1230	1,3	51,2	HL3 020	112M	4	17100	19450
28,3	1230	2,0	51,2	HL3 030	112M	4	31600	36650
25,2	1426	1,3	57,5	HL2 030	112M	4	33000	38350
25,2	1426	2,5	57,5	HL2 050	112M	4	33000	38350
22,6	1544	1,1	64,2	HL3 020	112M	4	17900	20300
22,6	1544	1,6	64,2	HL3 030	112M	4	33850	39250
22,6	1544	3,0	64,2	HL3 050	112M	4	33850	39250
20,8	1729	3,0	69,8	HL2 080	112M	4	49900	57600
19,8	1762	1,1	73,3	HL3 030	112M	4	35300	41000
19,8	1762	2,0	73,3	HL3 050	112M	4	35300	41000
18,0	1938	1,3	80,6	HL3 030	112M	4	36900	42800
18,0	1938	2,5	80,6	HL3 050	112M	4	36900	42800
15,8	2211	1,6	92,0	HL3 050	112M	4	37700	43700
14,5	2409	1,1	100	HL3 030	112M	4	39000	45300
14,5	2409	2,0	100	HL3 050	112M	4	39000	45300
12,8	2731	2,7	114	HL3 080	112M	4	57200	65950
12,7	2748	1,3	114	HL3 050	112M	4	40250	46650
11,8	2945	2,9	122	HL3 080	112M	4	58250	67200
11,6	2993	1,7	125	HL3 050	112M	4	41600	48300
10,5	3313	1,5	138	HL3 050	112M	4	43100	50050
10,2	3427	2,2	143	HL3 080	112M	4	62150	71850
9,6	3638	2,9	151	HL3 130	112M	4	67500	88800

4,00 kW

n_2 [rpm]	M_2 [Nm]	f_s	i	Gear reducer	Size	Motor Pole	Fr_2 CS [N]	Fr_2 SS [N]
9,4	3720	1,1	155	HL3 050	112M	4	45100	51700
8,6	4051	2,1	168	HL3 080	112M	4	62700	72500
8,5	4118	1,3	171	HL3 050	112M	4	45100	51700
7,5	4669	1,6	194	HL3 080	112M	4	62700	72500
7,0	5004	2,1	208	HL3 130	112M	4	67500	88800
6,9	5083	1,5	211	HL3 080	112M	4	62700	72500
6,7	5186	1,0	216	HL3 050	112M	4	45100	51700
6,5	5364	2,2	223	HL3 130	112M	4	67500	88800
6,3	5572	1,2	232	HL3 080	112M	4	62700	72500
6,0	5859	1,4	244	HL3 080	112M	4	62700	72500
6,0	5767	1,9	240	HL3 130	112M	4	67500	88800
6,0	5767	2,8	240	HL3 180	112M	4	69000	88800
5,4	6402	1,2	266	HL3 080	112M	4	62700	72500
5,1	6883	1,6	286	HL3 130	112M	4	67500	88800
5,1	6845	1,8	285	HL3 180	112M	4	69000	88800
5,0	6993	1,2	291	HL3 080	112M	4	62700	72500
4,7	7379	1,1	307	HL3 080	112M	4	63250	73050
4,4	7692	1,9	330	HL4 130	112M	4	68800	90500
4,4	7692	2,5	330	HL4 180	112M	4	70300	90500
4,3	8169	1,1	340	HL3 130	112M	4	69000	90700
4,3	8169	1,6	340	HL3 180	112M	4	70500	90700
4,1	8343	1,7	358	HL4 130	112M	4	70250	91500
3,5	9558	1,5	410	HL4 130	112M	4	70900	93500
3,5	9558	2,0	410	HL4 180	112M	4	72550	93500
3,2	10473	1,4	449	HL4 130	112M	4	71800	94500
3,2	10473	1,9	449	HL4 180	112M	4	73500	94500
2,8	11878	1,2	509	HL4 130	112M	4	73550	96500
2,8	11878	1,7	509	HL4 180	112M	4	75150	96500
2,6	13148	1,1	564	HL4 130	112M	4	74450	97600
2,6	13148	1,5	564	HL4 180	112M	4	76000	97600
2,3	14761	1,0	633	HL4 130	112M	4	75700	99600
2,2	15244	1,2	654	HL4 180	112M	4	77800	100200
2,1	16339	1,3	701	HL4 180	112M	4	78200	100700
1,8	18943	1,0	812	HL4 180	112M	4	80100	103100
1,6	20969	0,9	899	HL4 180	112M	4	81600	104800

5,50 kW

n_2 [rpm]	M_2 [Nm]	f_s	i	Gear reducer	Size	Motor Pole	Fr_2 CS [N]	Fr_2 SS [N]
273,8	186	2,6	5,37	HL1 010	132MS	4	8750	9900
199,1	256	1,7	7,38	HL1 010	132MS	4	9350	10600
199,1	256	2,9	7,38	HL1 020	132MS	4	9350	10600

5.1 HL GEARED MOTORS

5,50 kW

n_2 [rpm]	M_2 [Nm]	f_s	i	Gear reducer	Size	Motor Pole	Fr_2 CS [N]	Fr_2 SS [N]
158,1	322	0,9	9,30	HL1 010	132MS	4	10200	11500
158,1	322	1,9	9,30	HL1 020	132MS	4	10200	11500
158,1	322	2,2	9,30	HL1 030	132MS	4	19300	22350
124,1	398	1,7	11,8	HL2 010	132MS	4	10900	12300
124,1	398	2,9	11,8	HL2 020	132MS	4	10900	12300
98,9	500	1,4	14,9	HL2 010	132MS	4	11650	13200
98,9	500	2,6	14,9	HL2 020	132MS	4	11650	13200
78,8	627	1,2	18,7	HL2 010	132MS	4	12300	14050
78,8	627	2,2	18,7	HL2 020	132MS	4	12300	14050
69,0	716	2,4	21,3	HL2 030	132MS	4	24300	28100
63,4	780	1,0	23,2	HL2 010	132MS	4	13500	15350
63,4	780	1,8	23,2	HL2 020	132MS	4	13500	15350
63,4	780	2,6	23,2	HL2 030	132MS	4	24950	28950
55,0	899	1,9	26,7	HL2 030	132MS	4	25600	29850
51,0	969	1,3	28,8	HL2 020	132MS	4	14550	16450
51,0	969	2,1	28,8	HL2 030	132MS	4	26050	30300
46,1	1072	1,4	31,9	HL2 020	132MS	4	15000	16900
46,1	1072	1,7	31,9	HL2 030	132MS	4	27250	31600
46,1	1072	2,9	31,9	HL2 050	132MS	4	27250	31600
44,3	1117	1,6	33,2	HL2 030	132MS	4	27600	32000
37,1	1333	1,0	39,6	HL2 020	132MS	4	15850	17950
37,1	1333	1,6	39,6	HL2 030	132MS	4	29150	33650
37,1	1333	2,9	39,6	HL2 050	132MS	4	29150	33650
36,6	1351	0,9	40,2	HL2 020	132MS	4	15850	17950
32,2	1536	1,2	45,7	HL2 030	132MS	4	28900	34750
32,2	1536	2,3	45,7	HL2 050	132MS	4	28900	34750
28,7	1668	1,0	51,2	HL3 020	132MS	4	17000	19350
28,7	1668	1,5	51,2	HL3 030	132MS	4	31450	36350
28,7	1668	2,6	51,2	HL3 050	132MS	4	31450	36350
26,5	1862	2,7	55,4	HL2 080	132MS	4	45850	52850
25,5	1934	0,9	57,5	HL2 030	132MS	4	32950	38300
25,5	1934	1,8	57,5	HL2 050	132MS	4	32950	38300
22,9	2094	1,2	64,2	HL3 030	132MS	4	33700	39050
22,9	2094	2,2	64,2	HL3 050	132MS	4	33700	39050
21,1	2345	2,1	69,8	HL2 080	132MS	4	49650	57350
20,1	2389	1,5	73,3	HL3 050	132MS	4	35200	40950
18,2	2629	0,9	80,6	HL3 030	132MS	4	36700	42600
18,2	2629	1,8	80,6	HL3 050	132MS	4	36700	42600
17,6	2722	2,6	83,5	HL3 080	132MS	4	51450	59400
16,2	2951	2,4	90,5	HL3 080	132MS	4	52800	61000
16,0	2999	1,2	92,0	HL3 050	132MS	4	37650	43650
14,9	3214	2,6	98,6	HL3 080	132MS	4	54700	63200

5.1 HL GEARED MOTORS

5,50 kW

n_2 [rpm]	M_2 [Nm]	f_s	i	Gear reducer	Motor Size	Pole	Fr_2 CS [N]	Fr_2 SS [N]
14,7	3267	1,5	100	HL3 050	132MS	4	38800	45050
14,1	3390	2,9	104	HL3 130	132MS	4	60950	80200
13,2	3645	2,8	112	HL3 130	132MS	4	62050	81700
12,9	3727	1,0	114	HL3 050	132MS	4	40100	46550
12,9	3704	1,9	114	HL3 080	132MS	4	57150	65900
12,1	3970	2,5	122	HL3 130	132MS	4	63700	83850
12,0	3994	2,1	122	HL3 080	132MS	4	58000	66850
11,8	4060	1,2	125	HL3 050	132MS	4	41400	48000
10,7	4494	1,1	138	HL3 050	132MS	4	42650	49550
10,5	4576	2,2	140	HL3 130	132MS	4	66600	87600
10,3	4649	1,6	143	HL3 080	132MS	4	61900	71500
9,7	4934	2,1	151	HL3 130	132MS	4	67500	88800
9,1	5288	2,5	162	HL3 130	132MS	4	67500	88800
9,1	5288	2,9	162	HL3 180	132MS	4	69000	88800
8,7	5494	1,6	168	HL3 080	132MS	4	62700	72500
8,6	5585	0,9	171	HL3 050	132MS	4	45100	51700
8,4	5687	2,8	174	HL3 180	132MS	4	69000	88800
7,9	6095	2,2	187	HL3 130	132MS	4	67500	88800
7,6	6332	1,2	194	HL3 080	132MS	4	62700	72500
7,1	6787	1,6	208	HL3 130	132MS	4	67500	88800
7,1	6787	2,3	208	HL3 180	132MS	4	69000	88800
7,0	6895	1,1	211	HL3 080	132MS	4	62700	72500
6,6	7275	1,6	223	HL3 130	132MS	4	67500	88800
6,1	7822	1,4	240	HL3 130	132MS	4	67500	88800
6,1	7822	2,0	240	HL3 180	132MS	4	69000	88800
6,0	7946	1,0	244	HL3 080	132MS	4	62700	72500
5,5	8683	0,9	266	HL3 080	132MS	4	62700	72500
5,2	9284	1,3	285	HL3 180	132MS	4	69000	88800
5,1	9336	1,2	286	HL3 130	132MS	4	67500	88800
4,5	10432	1,4	330	HL4 130	132MS	4	68600	90300
4,5	10432	1,8	330	HL4 180	132MS	4	70050	90300
4,3	11080	1,1	340	HL3 180	132MS	4	70500	90700
4,1	11315	1,3	358	HL4 130	132MS	4	70250	91500
3,6	12964	1,1	410	HL4 130	132MS	4	70700	93100
3,6	12964	1,5	410	HL4 180	132MS	4	72300	93100
3,3	14205	1,0	449	HL4 130	132MS	4	71600	94200
3,3	14205	1,4	449	HL4 180	132MS	4	73100	94200
2,9	16110	1,2	509	HL4 180	132MS	4	74700	96200
2,6	17833	1,1	564	HL4 180	132MS	4	76000	97600
2,2	20675	0,9	654	HL4 180	132MS	4	77800	100200
2,1	22161	0,9	701	HL4 180	132MS	4	78200	100700

7,50 kW

n_2 [rpm]	M_2 [Nm]	f_s	i	Gear reducer	Size	Motor Pole	Fr_2 CS [N]	Fr_2 SS [N]
424,3	164	2,9	3,44	HL1 010	132M	4	7550	8550
338,0	206	2,5	4,32	HL1 010	132M	4	8050	9100
272,0	255	1,9	5,37	HL1 010	132M	4	8800	9950
197,7	351	1,2	7,38	HL1 010	132M	4	9400	10650
197,7	351	2,1	7,38	HL1 020	132M	4	9400	10650
157,0	443	1,4	9,30	HL1 020	132M	4	10200	11500
157,0	443	1,6	9,30	HL1 030	132M	4	19350	22400
123,3	547	1,2	11,8	HL2 010	132M	4	10900	12300
123,3	547	2,1	11,8	HL2 020	132M	4	10900	12300
123,3	547	2,9	11,8	HL2 030	132M	4	20650	23900
98,2	686	1,1	14,9	HL2 010	132M	4	11650	13200
98,2	686	1,9	14,9	HL2 020	132M	4	11650	13200
98,2	686	2,9	14,9	HL2 030	132M	4	22300	25850
78,2	861	1,6	18,7	HL2 020	132M	4	12350	14100
78,2	861	2,4	18,7	HL2 030	132M	4	23500	27300
68,6	983	1,8	21,3	HL2 030	132M	4	24350	28200
63,0	1070	1,4	23,2	HL2 020	132M	4	13550	15400
63,0	1070	1,9	23,2	HL2 030	132M	4	25000	29000
54,6	1234	1,4	26,7	HL2 030	132M	4	25650	29900
54,6	1234	2,8	26,7	HL2 050	132M	4	25650	29900
50,7	1330	1,0	28,8	HL2 020	132M	4	14550	16450
50,7	1330	1,5	28,8	HL2 030	132M	4	26100	30350
45,8	1472	1,0	31,9	HL2 020	132M	4	15000	16900
45,8	1472	1,2	31,9	HL2 030	132M	4	27350	31700
45,8	1472	2,1	31,9	HL2 050	132M	4	27350	31700
44,0	1533	1,2	33,2	HL2 030	132M	4	27700	32100
44,0	1533	2,2	33,2	HL2 050	132M	4	27700	32100
36,8	1830	1,1	39,6	HL2 030	132M	4	29300	33800
36,8	1830	2,1	39,6	HL2 050	132M	4	29300	33800
32,0	2109	1,7	45,7	HL2 050	132M	4	28950	34800
31,9	2113	2,9	45,8	HL2 080	132M	4	43300	50050
28,5	2290	1,1	51,2	HL3 030	132M	4	31550	36450
28,5	2290	1,9	51,2	HL3 050	132M	4	31550	36450
27,3	2396	2,9	53,5	HL3 080	132M	4	45450	52500
26,4	2556	2,0	55,4	HL2 080	132M	4	45900	52900
25,4	2656	1,3	57,5	HL2 050	132M	4	32950	38300
23,1	2829	2,9	63,2	HL3 080	132M	4	48250	55700
22,7	2875	1,6	64,2	HL3 050	132M	4	33800	39200
20,9	3219	1,6	69,8	HL2 080	132M	4	49800	57550
19,9	3280	1,1	73,3	HL3 050	132M	4	35350	41050
18,7	3494	2,8	78,0	HL3 130	132M	4	55900	73700
18,4	3551	2,4	79,3	HL3 080	132M	4	51050	59000

7,50 kW

n_2 [rpm]	M_2 [Nm]	f_s	i	Gear reducer	Size	Motor Pole	Fr_2 CS [N]	Fr_2 SS [N]
18,1	3609	1,3	80,6	HL3 050	132M	4	36800	42700
17,5	3738	1,9	83,5	HL3 080	132M	4	51550	59550
16,1	4051	1,8	90,5	HL3 080	132M	4	52900	61100
15,4	4248	2,8	94,9	HL3 130	132M	4	59300	78100
14,8	4413	1,9	98,6	HL3 080	132M	4	54950	63450
14,6	4485	1,1	100	HL3 050	132M	4	38900	45200
14,0	4654	2,1	104	HL3 130	132M	4	61100	80400
13,1	5005	2,0	112	HL3 130	132M	4	62200	81850
13,1	5005	3,0	112	HL3 180	132M	4	63650	81850
12,9	5086	1,4	114	HL3 080	132M	4	57150	65900
12,0	5451	1,9	122	HL3 130	132M	4	63850	84150
12,0	5451	2,8	122	HL3 180	132M	4	65400	84150
11,9	5484	1,5	122	HL3 080	132M	4	58150	67000
11,7	5574	0,9	125	HL3 050	132M	4	41500	48150
10,4	6283	1,6	140	HL3 130	132M	4	66800	87850
10,4	6283	2,5	140	HL3 180	132M	4	68150	87850
10,2	6383	1,2	143	HL3 080	132M	4	62150	71850
9,6	6774	1,5	151	HL3 130	132M	4	67500	88800
9,6	6774	2,3	151	HL3 180	132M	4	69000	88800
9,0	7261	1,8	162	HL3 130	132M	4	67500	88800
9,0	7261	2,1	162	HL3 180	132M	4	69000	88800
8,7	7543	1,1	168	HL3 080	132M	4	62700	72500
8,4	7808	2,0	174	HL3 180	132M	4	69000	88800
7,8	8369	1,6	187	HL3 130	132M	4	67500	88800
7,0	9318	1,1	208	HL3 130	132M	4	67500	88800
7,0	9318	1,7	208	HL3 180	132M	4	69000	88800
6,5	9988	1,2	223	HL3 130	132M	4	67500	88800
6,1	10740	1,0	240	HL3 130	132M	4	67500	88800
6,1	10740	1,5	240	HL3 180	132M	4	69000	88800
5,1	12746	1,0	285	HL3 180	132M	4	69000	88800
4,4	14323	1,0	330	HL4 130	132M	4	68800	90500
4,4	14323	1,3	330	HL4 180	132M	4	70300	90500
4,1	15536	0,9	358	HL4 130	132M	4	70250	91500
3,6	17799	1,1	410	HL4 180	132M	4	72300	93100
3,3	19503	1,0	449	HL4 180	132M	4	73100	94200
2,9	22119	0,9	509	HL4 180	132M	4	74700	96200

11,00 kW

n_2 [rpm]	M_2 [Nm]	f_s	i	Gear reducer	Size	Motor Pole	Fr_2 CS [N]	Fr_2 SS [N]
428,6	238	2,0	3,44	HL1 010	160MA	4	7500	8550
341,4	298	1,7	4,32	HL1 010	160MA	4	8000	9050

5.1 HL GEARED MOTORS

11,00 kW

n_2 [rpm]	M_2 [Nm]	f_s	i	Gear reducer	Size	Motor Pole	Fr_2 CS [N]	Fr_2 SS [N]
274,8	371	1,3	5,37	HL1 010	160MA	4	8750	9900
274,8	371	2,5	5,37	HL1 020	160MA	4	8750	9900
199,7	510	1,4	7,38	HL1 020	160MA	4	9350	10600
199,7	510	2,3	7,38	HL1 030	160MA	4	17850	20650
158,6	642	0,9	9,30	HL1 020	160MA	4	10200	11500
158,6	642	1,1	9,30	HL1 030	160MA	4	19300	22350
124,6	793	1,5	11,8	HL2 020	160MA	4	10900	12300
124,6	793	2,0	11,8	HL2 030	160MA	4	20600	23850
99,2	996	1,3	14,9	HL2 020	160MA	4	11600	13150
99,2	996	2,0	14,9	HL2 030	160MA	4	22250	25800
79,0	1250	1,1	18,7	HL2 020	160MA	4	12300	14050
79,0	1250	1,7	18,7	HL2 030	160MA	4	23450	27250
79,0	1250	2,9	18,7	HL2 050	160MA	4	23450	27250
69,3	1427	1,2	21,3	HL2 030	160MA	4	24250	28050
69,3	1427	2,3	21,3	HL2 050	160MA	4	24250	28050
63,6	1554	0,9	23,2	HL2 020	160MA	4	13500	15350
63,6	1554	1,3	23,2	HL2 030	160MA	4	24950	28950
63,6	1554	2,5	23,2	HL2 050	160MA	4	24950	28950
55,2	1791	1,0	26,7	HL2 030	160MA	4	25600	29850
55,2	1791	1,9	26,7	HL2 050	160MA	4	25600	29850
51,2	1931	1,1	28,8	HL2 030	160MA	4	26050	30300
51,2	1931	2,1	28,8	HL2 050	160MA	4	26050	30300
46,2	2138	1,4	31,9	HL2 050	160MA	4	27250	31600
44,7	2211	3,0	33,0	HL2 080	160MA	4	39200	45300
44,4	2226	1,5	33,2	HL2 050	160MA	4	27600	32000
38,4	2571	2,4	38,4	HL2 080	160MA	4	41250	47650
37,2	2656	1,4	39,6	HL2 050	160MA	4	29150	33650
32,3	3062	1,1	45,7	HL2 050	160MA	4	28900	34750
32,2	3068	2,0	45,8	HL2 080	160MA	4	43200	49900
32,1	3083	2,6	46,0	HL2 130	160MA	4	47750	62800
28,8	3325	1,3	51,2	HL3 050	160MA	4	31450	36350
27,6	3478	2,0	53,5	HL3 080	160MA	4	45300	52350
26,6	3711	1,3	55,4	HL2 080	160MA	4	45800	52800
25,6	3856	0,9	57,5	HL2 050	160MA	4	32950	38300
24,3	3953	2,7	60,8	HL3 130	160MA	4	51700	68100
23,3	4106	2,0	63,2	HL3 080	160MA	4	48100	55550
23,0	4174	1,1	64,2	HL3 050	160MA	4	33700	39050
21,1	4674	1,1	69,8	HL2 080	160MA	4	49650	57350
19,3	4962	2,3	76,3	HL3 130	160MA	4	55450	73000
19,3	4962	2,9	76,3	HL3 180	160MA	4	56650	73000
18,9	5073	1,9	78,0	HL3 130	160MA	4	55750	73450
18,9	5073	2,8	78,0	HL3 180	160MA	4	57000	73450

5.1 HL GEARED MOTORS

11,00 kW

n_2 [rpm]	M_2 [Nm]	f_s	i	Gear reducer	Size	Motor Pole	Fr_2 CS [N]	Fr_2 SS [N]
18,6	5155	1,6	79,3	HL3 080	160MA	4	51000	58900
17,7	5427	1,3	83,5	HL3 080	160MA	4	51350	59300
16,3	5882	1,2	90,5	HL3 080	160MA	4	52700	60900
15,5	6166	1,9	94,9	HL3 130	160MA	4	59200	77950
15,5	6166	2,5	94,9	HL3 180	160MA	4	61150	77950
15,1	6368	2,3	98,0	HL3 180	160MA	4	61300	78550
15,0	6406	1,3	98,6	HL3 080	160MA	4	54500	62950
14,2	6757	1,4	104	HL3 130	160MA	4	60800	80000
13,2	7266	1,4	112	HL3 130	160MA	4	62050	81700
13,2	7266	2,0	112	HL3 180	160MA	4	63500	81700
13,0	7384	1,0	114	HL3 080	160MA	4	57050	65800
12,1	7914	1,3	122	HL3 130	160MA	4	63700	83850
12,1	7914	1,9	122	HL3 180	160MA	4	65150	83850
12,0	7961	1,1	122	HL3 080	160MA	4	58000	66850
10,5	9121	1,1	140	HL3 130	160MA	4	66600	87600
10,5	9121	1,7	140	HL3 180	160MA	4	68000	87600
9,7	9834	1,0	151	HL3 130	160MA	4	67500	88800
9,7	9834	1,6	151	HL3 180	160MA	4	69000	88800
9,1	10541	1,2	162	HL3 130	160MA	4	67500	88800
9,1	10541	1,4	162	HL3 180	160MA	4	69000	88800
8,5	11335	1,4	174	HL3 180	160MA	4	69000	88800
7,9	12149	1,1	187	HL3 130	160MA	4	67500	88800
7,1	13528	1,2	208	HL3 180	160MA	4	69000	88800
6,1	15592	1,0	240	HL3 180	160MA	4	69000	88800

15,00 kW

n_2 [rpm]	M_2 [Nm]	f_s	i	Gear reducer	Size	Motor Pole	Fr_2 CS [N]	Fr_2 SS [N]
428,6	324	1,4	3,44	HL1 010	160LA	4	7500	8550
428,6	324	2,6	3,44	HL1 020	160LA	4	7500	8550
341,4	407	1,1	4,32	HL1 010	160LA	4	8000	9050
341,4	407	2,3	4,32	HL1 020	160LA	4	8000	9050
274,8	506	0,9	5,37	HL1 010	160LA	4	8750	9900
274,8	506	1,8	5,37	HL1 020	160LA	4	8750	9900
274,8	506	2,8	5,37	HL1 030	160LA	4	16150	18650
238,4	583	2,3	6,19	HL1 030	160LA	4	16900	19600
199,7	696	1,1	7,38	HL1 020	160LA	4	9350	10600
199,7	696	1,7	7,38	HL1 030	160LA	4	17850	20650
124,6	1082	1,1	11,8	HL2 020	160LA	4	10900	12300
124,6	1082	1,4	11,8	HL2 030	160LA	4	20600	23850
124,6	1082	2,6	11,8	HL2 050	160LA	4	20600	23850
99,2	1358	1,0	14,9	HL2 020	160LA	4	11600	13150

15,00 kW

n_2 [rpm]	M_2 [Nm]	f_s	i	Gear reducer	Size	Motor Pole	Fr_2 CS [N]	Fr_2 SS [N]
99,2	1358	1,4	14,9	HL2 030	160LA	4	22250	25800
99,2	1358	2,5	14,9	HL2 050	160LA	4	22250	25800
79,0	1705	1,2	18,7	HL2 030	160LA	4	23450	27250
79,0	1705	2,2	18,7	HL2 050	160LA	4	23450	27250
69,3	1946	1,7	21,3	HL2 050	160LA	4	24250	28050
64,6	2085	2,8	22,8	HL2 080	160LA	4	35000	40450
63,6	2119	0,9	23,2	HL2 030	160LA	4	24950	28950
63,6	2119	1,8	23,2	HL2 050	160LA	4	24950	28950
56,1	2403	2,3	26,3	HL2 080	160LA	4	36750	42500
55,2	2442	1,4	26,7	HL2 050	160LA	4	25600	29850
51,5	2616	2,5	28,6	HL2 080	160LA	4	37550	43400
51,2	2633	1,5	28,8	HL2 050	160LA	4	26050	30300
46,2	2915	1,1	31,9	HL2 050	160LA	4	27250	31600
44,7	3015	2,2	33,0	HL2 080	160LA	4	38950	45100
44,4	3035	1,1	33,2	HL2 050	160LA	4	27600	32000
38,4	3505	1,8	38,4	HL2 080	160LA	4	41250	47650
38,0	3542	2,6	38,8	HL2 130	160LA	4	45300	59600
37,2	3622	1,1	39,6	HL2 050	160LA	4	29150	33650
32,2	4183	1,5	45,8	HL2 080	160LA	4	43200	49900
32,1	4204	1,9	46,0	HL2 130	160LA	4	47750	62800
32,1	4204	2,8	46,0	HL2 180	160LA	4	48800	62800
30,4	4294	2,4	48,4	HL3 130	160LA	4	48350	63550
30,4	4294	2,6	48,4	HL3 180	160LA	4	49350	63550
28,8	4534	1,0	51,2	HL3 050	160LA	4	31450	36350
27,6	4743	1,4	53,5	HL3 080	160LA	4	45300	52350
26,6	5061	1,0	55,4	HL2 080	160LA	4	45800	52800
24,3	5390	2,0	60,8	HL3 130	160LA	4	51700	68100
24,3	5390	2,5	60,8	HL3 180	160LA	4	52900	68100
23,3	5600	1,4	63,2	HL3 080	160LA	4	48100	55550
19,3	6767	1,7	76,3	HL3 130	160LA	4	55450	73000
19,3	6767	2,2	76,3	HL3 180	160LA	4	56650	73000
18,9	6917	1,4	78,0	HL3 130	160LA	4	55750	73450
18,9	6917	2,0	78,0	HL3 180	160LA	4	57000	73450
18,6	7030	1,2	79,3	HL3 080	160LA	4	51000	58900
17,7	7400	0,9	83,5	HL3 080	160LA	4	51350	59300
15,5	8409	1,4	94,9	HL3 130	160LA	4	59200	77950
15,5	8409	1,8	94,9	HL3 180	160LA	4	61150	77950
15,1	8684	1,7	98,0	HL3 180	160LA	4	61300	78550
15,0	8736	0,9	98,6	HL3 080	160LA	4	54500	62950
14,2	9214	1,1	104	HL3 130	160LA	4	60800	80000
13,2	9908	1,0	112	HL3 130	160LA	4	62050	81700
13,2	9908	1,5	112	HL3 180	160LA	4	63500	81700

5.1 HL GEARED MOTORS

15,00 kW

n_2 [rpm]	M_2 [Nm]	f_s	i	Gear reducer	Size	Motor	Pole	Fr_2 CS [N]	Fr_2 SS [N]
12,1	10791	0,9	122	HL3 130	160LA		4	63700	83850
12,1	10791	1,4	122	HL3 180	160LA		4	65150	83850
10,5	12438	1,2	140	HL3 180	160LA		4	68000	87600
9,7	13410	1,2	151	HL3 180	160LA		4	69000	88800
9,1	14374	0,9	162	HL3 130	160LA		4	67500	88800
9,1	14374	1,1	162	HL3 180	160LA		4	69000	88800
8,5	15456	1,0	174	HL3 180	160LA		4	69000	88800

30,00 kW

n_2 [rpm]	M_2 [Nm]	f_s	i	Gear reducer	Size	Motor	Pole	Fr_2 CS [N]	Fr_2 SS [N]
196,7	1413	2,7	7,50	HL1 080	200L		4	25100	29000

IHL1 010

Mn_2 [Nm]	i	Pn_1 [kW]	n_2 [rpm]	Fr_2 CS [N]	Fr_2 SS [N]	M_{2max} [Nm]
540	4,32	18,89	324,1	8130	9210	790
500	5,37	14,08	260,8	8900	10080	990
450	7,38	9,21	189,6	9520	10770	1360
320	9,30	5,20	150,5	10200	11510	1710

IHL1 020

Mn_2 [Nm]	i	Pn_1 [kW]	n_2 [rpm]	Fr_2 CS [N]	Fr_2 SS [N]	M_{2max} [Nm]
770	7,38	15,76	189,6	9520	10770	1360
630	9,30	10,24	150,5	10200	11510	1710

IHL1 030

Mn_2 [Nm]	i	Pn_1 [kW]	n_2 [rpm]	Fr_2 CS [N]	Fr_2 SS [N]	M_{2max} [Nm]
760	9,30	12,35	150,5	19500	22720	1710

IHL2 010

Mn ₂ [Nm]	i	Pn ₁ [kW]	n ₂ [rpm]	Fr ₂ CS [N]	Fr ₂ SS [N]	M _{2max} [Nm]
710	11,8	9,34	118,2	11100	12550	2000
760	14,9	7,97	94,2	11800	13350	2400
790	18,7	6,60	75,0	12500	14250	2400
820	23,2	5,51	60,4	13750	15600	2400
650	28,8	3,51	48,6	14750	16650	2400
850	31,9	4,15	43,9	15100	17100	2400
670	39,6	2,63	35,3	16000	18200	2400
860	40,2	3,34	34,8	16050	18250	2400
690	49,9	2,15	28,0	17150	19500	2400
590	68,7	1,34	20,4	18400	20850	2400

IHL2 030

Mn ₂ [Nm]	i	Pn ₁ [kW]	n ₂ [rpm]	Fr ₂ CS [N]	Fr ₂ SS [N]	M _{2max} [Nm]
2190	18,7	18,28	75,0	23650	27500	3340
1820	21,3	13,32	65,8	24650	28500	3810
2100	23,2	14,11	60,4	25300	29400	4150
1820	26,7	10,61	52,4	25850	30100	4780
2140	28,8	11,57	48,6	26500	30700	5200
1890	31,9	9,23	43,9	27700	32100	5200
1850	33,2	8,68	42,1	28300	32600	5200
2170	39,6	8,53	35,3	29600	34000	5200
1890	45,7	6,45	30,6	31000	36000	5200
1920	57,5	5,20	24,3	33100	38450	5200

IHL2 080

Mn ₂ [Nm]	i	Pn ₁ [kW]	n ₂ [rpm]	Fr ₂ CS [N]	Fr ₂ SS [N]	M _{2max} [Nm]
5210	55,4	14,66	25,3	46750	53900	9900
5290	69,8	11,82	20,1	50400	58200	12470

IHL2 020

Mn ₂ [Nm]	i	Pn ₁ [kW]	n ₂ [rpm]	Fr ₂ CS [N]	Fr ₂ SS [N]	M _{2max} [Nm]
1220	11,8	16,05	118,2	11100	12550	2120
1380	14,9	14,46	94,2	11800	13350	2660
1450	18,7	12,11	75,0	12500	14250	3400
1510	23,2	10,14	60,4	13750	15600	3400
1320	28,8	7,14	48,6	14750	16650	3400
1610	31,9	7,86	43,9	15100	17100	3400
1400	39,6	5,50	35,3	16000	18200	3400
1340	40,2	5,20	34,8	16050	18250	3400
1430	49,9	4,46	28,0	17150	19500	3400
1180	68,7	2,68	20,4	18400	20850	3400

IHL2 050

Mn ₂ [Nm]	i	Pn ₁ [kW]	n ₂ [rpm]	Fr ₂ CS [N]	Fr ₂ SS [N]	M _{2max} [Nm]
3230	31,9	15,78	43,9	27700	32100	5700
3590	33,2	16,84	42,1	28300	32600	5940
4010	39,6	15,76	35,3	29600	34000	7090
3630	45,7	12,38	30,6	31000	36000	8170
3640	57,5	9,86	24,3	33100	38450	8800

IHL3 010

Mn ₂ [Nm]	i	Pn ₁ [kW]	n ₂ [rpm]	Fr ₂ CS [N]	Fr ₂ SS [N]	M _{2max} [Nm]
860	51,2	2,70	27,4	17150	19500	2400
860	64,2	2,15	21,8	18250	20600	2400
870	80,6	1,73	17,4	19800	22400	2400
750	87,4	1,38	16,0	20200	22800	2000
880	100	1,41	14,0	21200	24050	2400
880	110	1,29	12,8	21900	24750	2400
880	125	1,14	11,2	22650	25750	2400
880	138	1,03	10,2	23200	26300	2400
820	155	0,85	9,0	23650	27000	2400
900	174	0,83	8,1	23650	27000	2400
750	188	0,64	7,5	23650	27000	2000
940	216	0,70	6,5	23650	27000	2400
950	236	0,65	5,9	23650	27000	2400
950	297	0,51	4,7	23800	27150	2400
860	369	0,37	3,8	24650	28150	2400

IHL3 030

Mn ₂ [Nm]	i	Pn ₁ [kW]	n ₂ [rpm]	Fr ₂ CS [N]	Fr ₂ SS [N]	M _{2max} [Nm]
2600	51,2	8,16	27,4	32650	37900	5200
2610	64,2	6,53	21,8	34350	39850	5200
1930	73,3	4,23	19,1	35750	41600	5200
2620	80,6	5,22	17,4	37350	43300	5200
1950	92,0	3,41	15,2	38300	44400	5200
2630	100	4,22	14,0	39500	45800	5200
1960	114	2,75	12,2	40900	47400	5200
2650	125	3,42	11,2	42100	48900	5200
2650	138	3,09	10,2	43800	50800	5200
2260	155	2,35	9,0	45100	51700	5200
2700	171	2,53	8,2	45100	51700	5200
1970	197	1,60	7,1	45100	51700	5200
2760	216	2,06	6,5	45100	51700	5200
1970	249	1,27	5,6	45100	51700	5200
2300	293	1,26	4,8	45300	52000	5200
2000	309	1,04	4,5	45550	52400	5200
2390	369	1,04	3,8	46200	53650	5200
2030	425	0,77	3,3	47100	54650	5200

IHL3 020

Mn ₂ [Nm]	i	Pn ₁ [kW]	n ₂ [rpm]	Fr ₂ CS [N]	Fr ₂ SS [N]	M _{2max} [Nm]
1710	51,2	5,37	27,4	17150	19500	3400
1710	64,2	4,28	21,8	18250	20600	3400
1730	80,6	3,45	17,4	19800	22400	3400
1430	87,4	2,63	16,0	20200	22800	3400
1780	100	2,85	14,0	21200	24050	3400
1780	110	2,60	12,8	21900	24750	3400
1780	125	2,30	11,2	22650	25750	3400
1780	138	2,07	10,2	23200	26300	3400
1510	155	1,57	9,0	23650	27000	3400
1840	174	1,70	8,1	23650	27000	3400
1430	188	1,22	7,5	23650	27000	3400
1900	216	1,42	6,5	23650	27000	3400
1920	236	1,31	5,9	23650	27000	3400
1950	297	1,06	4,7	23800	27150	3400
1620	369	0,71	3,8	24650	28150	3400

IHL3 050

Mn ₂ [Nm]	i	Pn ₁ [kW]	n ₂ [rpm]	Fr ₂ CS [N]	Fr ₂ SS [N]	M _{2max} [Nm]
4640	51,2	14,57	27,4	32650	37900	8800
4740	64,2	11,86	21,8	34350	39850	8800
3650	73,3	8,00	19,1	35750	41600	8800
4920	80,6	9,80	17,4	37350	43300	8800
3680	92,0	6,43	15,2	38300	44400	8800
5080	100	8,15	14,0	39500	45800	8800
3720	114	5,23	12,2	40900	47400	8800
5250	125	6,77	11,2	42100	48900	8800
5300	138	6,18	10,2	43800	50800	8800
4430	155	4,60	9,0	45100	51700	8800
5340	171	5,01	8,2	45100	51700	8800
3750	197	3,05	7,1	45100	51700	8800
5400	216	4,02	6,5	45100	51700	8800
3750	249	2,42	5,6	45100	51700	8800
4470	293	2,45	4,8	45300	52000	8800
3800	309	1,98	4,5	45550	52400	8800
4650	369	2,03	3,8	46200	53650	8800
3900	425	1,47	3,3	47100	54650	8800

5.2 IHL GEAR REDUCER - 1400 rpm

IHL3 080

Mn ₂ [Nm]	i	Pn ₁ [kW]	n ₂ [rpm]	Fr ₂ CS [N]	Fr ₂ SS [N]	M _{2max} [Nm]
8710	79,3	17,64	17,7	51350	59300	13750
7330	83,5	14,10	16,8	52250	60400	14480
7500	90,5	13,31	15,5	53450	61700	14900
8660	98,6	14,11	14,2	56200	64900	14900
7500	114	10,61	12,3	57550	66350	14900
8830	122	11,58	11,4	58850	67850	14900
7960	143	8,97	9,8	62700	72500	14900
8950	168	8,53	8,3	62700	72500	14900
7790	194	6,44	7,2	62700	72500	14900
8150	211	6,19	6,6	62700	72500	14900
6800	232	4,71	6,0	62700	72500	14900
8210	244	5,41	5,7	62700	72500	14900
8260	266	4,98	5,3	62700	72500	14900
8330	291	4,60	4,8	63100	72900	14900
8420	307	4,41	4,6	63450	73250	14900
6910	357	3,11	3,9	64800	74600	14900
5700	409	2,24	3,4	65450	75550	14900

IHL3 180

Mn ₂ [Nm]	i	Pn ₁ [kW]	n ₂ [rpm]	Fr ₂ CS [N]	Fr ₂ SS [N]	M _{2max} [Nm]
16200	140	18,53	10,0	69000	88800	24340
16300	151	17,31	9,3	69000	88800	26240
15900	162	15,76	8,6	69000	88800	28130
16500	174	15,15	8,0	69000	88800	29000
16700	208	12,85	6,7	69000	88800	29000
16800	240	11,26	5,8	69000	88800	29000
13100	285	7,36	4,9	69200	89000	29000
13400	340	6,31	4,1	71000	91500	29000

IHL3 130

Mn ₂ [Nm]	i	Pn ₁ [kW]	n ₂ [rpm]	Fr ₂ CS [N]	Fr ₂ SS [N]	M _{2max} [Nm]
10200	104	15,76	13,5	61750	81300	18030
10600	112	15,23	12,5	63000	82900	19390
10600	122	14,01	11,5	64650	85100	21000
10800	140	12,35	10,0	67500	88800	21000
10800	151	11,47	9,3	67500	88800	21000
13800	162	13,70	8,6	67500	88800	21000
14100	187	12,10	7,5	67500	88800	21000
11100	208	8,53	6,7	67500	88800	21000
12300	223	8,86	6,3	67500	88800	21000
11200	240	7,49	5,8	67500	88800	21000
11300	286	6,36	4,9	68100	89000	21000
8930	340	4,22	4,1	70250	91500	21000

IHL4 010

Mn ₂ [Nm]	i	Pn ₁ [kW]	n ₂ [rpm]	Fr ₂ CS [N]	Fr ₂ SS [N]	M _{2max} [Nm]
1000	348	0,48	4,0	24600	28100	2400
1020	433	0,39	3,2	25000	28500	2400
1040	474	0,36	3,0	25150	28600	2400
1070	538	0,33	2,6	25850	29300	2400
1070	668	0,27	2,1	26200	29650	2400
1110	740	0,25	1,9	27000	30150	2400
1130	811	0,23	1,7	27300	30900	2400
1160	919	0,21	1,5	27400	31000	2400
1170	1020	0,19	1,4	27450	31050	2400
1200	1160	0,17	1,2	27550	31200	2400
1220	1270	0,16	1,1	27600	31350	2400
1000	1440	0,12	1,0	27650	31550	2400
1250	1590	0,13	0,9	27700	31800	2400
1250	1740	0,12	0,8	27800	32000	2400
1000	2160	0,08	0,6	28700	32200	2400
1000	2720	0,06	0,5	29600	32500	2400

IHL4 030

Mn ₂ [Nm]	i	Pn ₁ [kW]	n ₂ [rpm]	Fr ₂ CS [N]	Fr ₂ SS [N]	M _{2max} [Nm]
2810	348	1,34	4,0	46000	53450	5200
2810	433	1,08	3,2	47200	54800	5200
2810	474	0,98	3,0	47850	55100	5200
2810	538	0,87	2,6	48600	56450	5200
2830	668	0,70	2,1	49750	57300	5200
2830	740	0,63	1,9	50500	58600	5200
2580	831	0,51	1,7	51400	59700	5200
2840	919	0,51	1,5	52150	60400	5200
2880	1020	0,47	1,4	53000	61650	5200
2710	1140	0,39	1,2	53600	62200	5200
2940	1270	0,38	1,1	54800	63500	5200
2800	1440	0,32	1,0	55300	64200	5200
2970	1590	0,31	0,9	55850	65600	5200
2560	1740	0,24	0,8	56400	67100	5200
2800	1980	0,23	0,7	56950	67750	5200
2560	2190	0,19	0,6	57500	68900	5200
2440	2280	0,18	0,6	57500	68900	5200
2440	2490	0,16	0,6	57500	68900	5200
2800	2720	0,17	0,5	58600	69800	5200

IHL4 020

Mn ₂ [Nm]	i	Pn ₁ [kW]	n ₂ [rpm]	Fr ₂ CS [N]	Fr ₂ SS [N]	M _{2max} [Nm]
1990	348	0,95	4,0	24600	28100	3400
2010	433	0,77	3,2	25000	28500	3400
2040	474	0,71	3,0	25150	28600	3400
2140	538	0,66	2,6	25850	29300	3400
2150	668	0,53	2,1	26200	29650	3400
2220	740	0,50	1,9	27000	30150	3400
2240	811	0,46	1,7	27300	30900	3400
2280	919	0,41	1,5	27400	31000	3400
2320	1020	0,38	1,4	27450	31050	3400
2370	1160	0,34	1,2	27550	31200	3400
2410	1270	0,32	1,1	27600	31350	3400
1830	1440	0,21	1,0	27650	31550	3400
2460	1590	0,26	0,9	27700	31800	3400
2460	1740	0,23	0,8	27800	32000	3400
1830	2160	0,14	0,6	28700	32200	3400
1830	2720	0,11	0,5	29600	32500	3400

IHL4 050

Mn ₂ [Nm]	i	Pn ₁ [kW]	n ₂ [rpm]	Fr ₂ CS [N]	Fr ₂ SS [N]	M _{2max} [Nm]
5480	348	2,61	4,0	46000	53450	8800
5490	433	2,10	3,2	47200	54800	8800
5490	474	1,92	3,0	47850	55100	8800
5500	538	1,69	2,6	48600	56450	8800
5530	668	1,37	2,1	49750	57300	8800
5540	740	1,24	1,9	50500	58600	8800
5090	831	1,01	1,7	51400	59700	8800
5610	919	1,01	1,5	52150	60400	8800
5640	1020	0,92	1,4	53000	61650	8800
5310	1140	0,77	1,2	53600	62200	8800
5760	1270	0,75	1,1	54800	63500	8800
5470	1440	0,63	1,0	55300	64200	8800
5800	1590	0,60	0,9	55850	65600	8800
5070	1740	0,48	0,8	56400	67100	8800
5470	1980	0,46	0,7	56950	67750	8800
5070	2190	0,38	0,6	57500	68900	8800
4610	2280	0,33	0,6	57500	68900	8800
4610	2490	0,31	0,6	57500	68900	8800
5470	2720	0,33	0,5	58600	69800	8800

IHL4 080

Mn ₂ [Nm]	i	Pn ₁ [kW]	n ₂ [rpm]	Fr ₂ CS [N]	Fr ₂ SS [N]	M _{2max} [Nm]
8060	395	3,38	3,5	65100	75150	14900
9850	467	3,50	3,0	66350	76550	14900
9850	529	3,08	2,6	68200	78700	14900
9860	586	2,79	2,4	69100	79750	14900
9320	658	2,35	2,1	69850	80500	14900
9900	728	2,25	1,9	70700	81750	14900
9320	825	1,87	1,7	72250	83400	14900
9400	905	1,72	1,5	73050	84350	14900
10000	1000	1,66	1,4	74600	86150	14900
9470	1140	1,38	1,2	75450	87100	14900
10300	1260	1,35	1,1	76400	88500	14900
9950	1430	1,15	1,0	77500	89400	14900
9700	1570	1,03	0,9	78000	90000	14900
9950	1800	0,92	0,8	78300	90300	14900
8630	2090	0,68	0,7	78700	90700	14900
9950	2270	0,73	0,6	79000	91100	14900
8630	2500	0,57	0,6	79000	91100	14900
8840	2710	0,54	0,5	79500	91600	14900

IHL4 130

Mn ₂ [Nm]	i	Pn ₁ [kW]	n ₂ [rpm]	Fr ₂ CS [N]	Fr ₂ SS [N]	M _{2max} [Nm]
14900	330	7,48	4,2	70150	91100	21000
14900	358	6,89	3,9	70350	92100	21000
14900	410	6,02	3,4	71100	93900	21000
14900	449	5,49	3,1	72100	95100	21000
14900	509	4,84	2,7	74000	96800	21000
14900	564	4,37	2,5	75150	98300	21000
15000	633	3,92	2,2	76000	100200	21000
15100	701	3,57	2,0	77100	101600	21000
13500	812	2,75	1,7	79000	104000	21000
13800	899	2,54	1,6	80000	104800	21000
15400	964	2,65	1,5	81000	105900	21000
14300	1130	2,09	1,2	83000	109300	21000
14600	1240	1,95	1,1	84200	110800	21000
14800	1410	1,75	1,0	85100	112000	21000
14800	1560	1,58	0,9	86500	114400	21000
14800	1770	1,39	0,8	88000	116100	21000
14800	1940	1,27	0,7	89100	117800	21000
11000	2510	0,73	0,6	92600	122000	21000

IHL4 180

Mn ₂ [Nm]	i	Pn ₁ [kW]	n ₂ [rpm]	Fr ₂ CS [N]	Fr ₂ SS [N]	M _{2max} [Nm]
19500	330	9,80	4,2	70700	91100	29000
20200	410	8,15	3,4	72800	93900	29000
20500	449	7,55	3,1	73900	95100	29000
20800	509	6,77	2,7	75600	96800	29000
21000	564	6,18	2,5	76500	98300	29000
19500	654	4,94	2,1	78200	100700	29000
21200	701	5,01	2,0	79000	101600	29000
20100	812	4,09	1,7	80800	104000	29000
20400	899	3,75	1,6	81600	104800	29000
16000	980	2,70	1,4	83100	106500	29000
21200	1130	3,09	1,2	84900	109300	29000
21600	1240	2,89	1,1	85800	110800	29000
22000	1410	2,59	1,0	87100	112000	29000
22000	1560	2,34	0,9	88500	114400	29000
19100	1770	1,79	0,8	90300	116100	29000
22000	1940	1,88	0,7	91200	117800	29000
17000	2510	1,12	0,6	94400	122000	29000

IHL1 010

Mn_2 [Nm]	i	Pn_1 [kW]	n_2 [rpm]	Fr_2 CS [N]	Fr_2 SS [N]	M_{2max} [Nm]
580	4,32	13,04	208,3	9280	10520	790
550	5,37	9,95	167,6	10160	11510	990
490	7,38	6,45	121,9	10870	12300	1360
350	9,30	3,66	96,8	11640	13140	1710

IHL1 020

Mn_2 [Nm]	i	Pn_1 [kW]	n_2 [rpm]	Fr_2 CS [N]	Fr_2 SS [N]	M_{2max} [Nm]
870	7,38	11,45	121,9	10870	12300	1360
670	9,30	7,00	96,8	11640	13140	1710

IHL1 030

Mn_2 [Nm]	i	Pn_1 [kW]	n_2 [rpm]	Fr_2 CS [N]	Fr_2 SS [N]	M_{2max} [Nm]
860	9,30	8,98	96,8	22380	25940	1710

IHL2 010

Mn ₂ [Nm]	i	Pn ₁ [kW]	n ₂ [rpm]	Fr ₂ CS [N]	Fr ₂ SS [N]	M _{2max} [Nm]
730	11,8	6,17	76,0	12650	14350	2000
820	14,9	5,53	60,5	13750	15600	2400
840	18,7	4,51	48,2	14800	16700	2400
850	23,2	3,67	38,8	15700	17800	2400
680	28,8	2,36	31,2	16850	19000	2400
860	31,9	2,70	28,2	17150	19500	2400
710	39,6	1,79	22,7	17900	20300	2400
860	40,2	2,14	22,4	18200	20550	2400
740	49,9	1,48	18,0	19600	22250	2400
600	68,7	0,88	13,1	21700	24500	2400

IHL2 030

Mn ₂ [Nm]	i	Pn ₁ [kW]	n ₂ [rpm]	Fr ₂ CS [N]	Fr ₂ SS [N]	M _{2max} [Nm]
2430	18,7	13,04	48,2	26550	30750	3340
1850	21,3	8,70	42,3	28150	32550	3810
2300	23,2	9,93	38,8	28900	33400	4150
1880	26,7	7,05	33,7	29500	34350	4780
2180	28,8	7,58	31,2	30250	35050	5200
2050	31,9	6,44	28,2	31600	36650	5200
1910	33,2	5,76	27,1	32800	38150	5200
2200	39,6	5,56	22,7	33800	39200	5200
1930	45,7	4,23	19,7	35400	41100	5200
1950	57,5	3,39	15,6	37750	43750	5200

IHL2 080

Mn ₂ [Nm]	i	Pn ₁ [kW]	n ₂ [rpm]	Fr ₂ CS [N]	Fr ₂ SS [N]	M _{2max} [Nm]
5330	55,4	9,64	16,3	52700	60900	9900
5400	69,8	7,75	12,9	57150	65900	12470

IHL2 020

Mn ₂ [Nm]	i	Pn ₁ [kW]	n ₂ [rpm]	Fr ₂ CS [N]	Fr ₂ SS [N]	M _{2max} [Nm]
1330	11,8	11,25	76,0	12650	14350	2120
1510	14,9	10,17	60,5	13750	15600	2660
1580	18,7	8,48	48,2	14800	16700	3400
1620	23,2	7,00	38,8	15700	17800	3400
1420	28,8	4,94	31,2	16850	19000	3400
1710	31,9	5,37	28,2	17150	19500	3400
1450	39,6	3,66	22,7	17900	20300	3400
1470	40,2	3,67	22,4	18200	20550	3400
1470	49,9	2,95	18,0	19600	22250	3400
1200	68,7	1,75	13,1	21700	24500	3400

IHL2 050

Mn ₂ [Nm]	i	Pn ₁ [kW]	n ₂ [rpm]	Fr ₂ CS [N]	Fr ₂ SS [N]	M _{2max} [Nm]
3650	31,9	11,46	28,2	31600	36650	5700
3640	33,2	10,98	27,1	32800	38150	5940
4380	39,6	11,07	22,7	33800	39200	7090
3650	45,7	8,00	19,7	35400	41100	8170
3680	57,5	6,41	15,6	37750	43750	8800

IHL3 010

Mn ₂ [Nm]	i	Pn ₁ [kW]	n ₂ [rpm]	Fr ₂ CS [N]	Fr ₂ SS [N]	M _{2max} [Nm]
870	51,2	1,76	17,6	19600	22250	2400
880	64,2	1,42	14,0	21200	24050	2400
880	80,6	1,13	11,2	22650	25750	2400
750	87,4	0,89	10,3	23150	26250	2000
900	100	0,93	9,0	23650	27000	2400
900	110	0,85	8,2	23650	27000	2400
920	125	0,76	7,2	23650	27000	2400
940	138	0,70	6,5	23650	27000	2400
840	155	0,56	5,8	23650	27000	2400
950	174	0,57	5,2	23650	27000	2400
750	188	0,41	4,8	23750	27100	2000
1000	216	0,48	4,2	24200	27650	2400
1000	236	0,44	3,8	24650	28150	2400
1040	297	0,36	3,0	25150	28600	2400
880	369	0,25	2,4	25900	29350	2400

IHL3 030

Mn ₂ [Nm]	i	Pn ₁ [kW]	n ₂ [rpm]	Fr ₂ CS [N]	Fr ₂ SS [N]	M _{2max} [Nm]
2620	51,2	5,29	17,6	37300	43250	5200
2630	64,2	4,23	14,0	39500	45800	5200
1960	73,3	2,76	12,3	40800	47250	5200
2650	80,6	3,39	11,2	42100	48900	5200
1970	92,0	2,21	9,8	45100	51700	5200
2670	100	2,75	9,0	45100	51700	5200
1970	114	1,78	7,9	45100	51700	5200
2730	125	2,26	7,2	45100	51700	5200
2760	138	2,07	6,5	45100	51700	5200
2290	155	1,53	5,8	45100	51700	5200
2800	171	1,69	5,3	45100	51700	5200
2000	197	1,05	4,6	45450	52250	5200
2810	216	1,35	4,2	45800	53000	5200
2020	249	0,84	3,6	46900	54300	5200
2460	293	0,87	3,1	47350	54900	5200
2050	309	0,69	2,9	48250	55300	5200
2520	369	0,71	2,4	49000	56850	5200
2160	425	0,52	2,1	49750	57300	5200

IHL3 020

Mn ₂ [Nm]	i	Pn ₁ [kW]	n ₂ [rpm]	Fr ₂ CS [N]	Fr ₂ SS [N]	M _{2max} [Nm]
1730	51,2	3,49	17,6	19600	22250	3400
1780	64,2	2,86	14,0	21200	24050	3400
1780	80,6	2,28	11,2	22650	25750	3400
1430	87,4	1,69	10,3	23150	26250	3400
1830	100	1,89	9,0	23650	27000	3400
1840	110	1,73	8,2	23650	27000	3400
1880	125	1,56	7,2	23650	27000	3400
1900	138	1,42	6,5	23650	27000	3400
1580	155	1,05	5,8	23650	27000	3400
1950	174	1,16	5,2	23650	27000	3400
1430	188	0,79	4,8	23750	27100	3400
1990	216	0,95	4,2	24200	27650	3400
2000	236	0,88	3,8	24650	28150	3400
2030	297	0,71	3,0	25150	28600	3400
1650	369	0,46	2,4	25900	29350	3400

IHL3 050

Mn ₂ [Nm]	i	Pn ₁ [kW]	n ₂ [rpm]	Fr ₂ CS [N]	Fr ₂ SS [N]	M _{2max} [Nm]
4920	51,2	9,93	17,6	37300	43250	8800
5080	64,2	8,17	14,0	39500	45800	8800
3720	73,3	5,24	12,3	40800	47250	8800
5250	80,6	6,72	11,2	42100	48900	8800
3750	92,0	4,21	9,8	45100	51700	8800
5320	100	5,48	9,0	45100	51700	8800
3750	114	3,39	7,9	45100	51700	8800
5370	125	4,45	7,2	45100	51700	8800
5400	138	4,05	6,5	45100	51700	8800
4460	155	2,98	5,8	45100	51700	8800
5470	171	3,30	5,3	45100	51700	8800
3800	197	1,99	4,6	45450	52250	8800
5480	216	2,62	4,2	45800	53000	8800
3880	249	1,61	3,6	46900	54300	8800
4820	293	1,70	3,1	47350	54900	8800
3940	309	1,32	2,9	48250	55300	8800
5000	369	1,40	2,4	49000	56850	8800
4100	425	1,00	2,1	49750	57300	8800

IHL3 080

Mn ₂ [Nm]	i	Pn ₁ [kW]	n ₂ [rpm]	Fr ₂ CS [N]	Fr ₂ SS [N]	M _{2max} [Nm]
9440	79,3	12,29	11,3	59150	68200	14620
7860	83,5	9,72	10,8	60500	69850	14900
7630	90,5	8,71	9,9	62700	72500	14900
9510	98,6	9,96	9,1	62700	72500	14900
7750	114	7,04	7,9	62700	72500	14900
8990	122	7,58	7,3	62700	72500	14900
8170	143	5,92	6,3	62700	72500	14900
9070	168	5,56	5,3	62700	72500	14900
7960	194	4,23	4,6	63450	73250	14900
8490	211	4,15	4,3	64050	73850	14900
6800	232	3,03	3,9	64800	74600	14900
8730	244	3,70	3,7	64950	74900	14900
8830	266	3,42	3,4	65450	75550	14900
8530	291	3,03	3,1	66150	76300	14900
9010	307	3,03	2,9	66800	77350	14900
7370	357	2,13	2,5	68650	79200	14900
6050	409	1,53	2,2	69600	80250	14900

IHL3 180

Mn ₂ [Nm]	i	Pn ₁ [kW]	n ₂ [rpm]	Fr ₂ CS [N]	Fr ₂ SS [N]	M _{2max} [Nm]
16700	140	12,27	6,4	69000	88800	24340
16800	151	11,45	5,9	69000	88800	26240
17400	162	11,07	5,5	69000	88800	28130
16900	174	10,00	5,2	69000	88800	29000
17400	208	8,63	4,3	70500	90700	29000
17800	240	7,66	3,8	72100	92400	29000
13900	285	5,05	3,2	73500	94500	29000
14300	340	4,35	2,6	76000	97600	29000

IHL3 130

Mn ₂ [Nm]	i	Pn ₁ [kW]	n ₂ [rpm]	Fr ₂ CS [N]	Fr ₂ SS [N]	M _{2max} [Nm]
11000	112	10,12	8,1	67500	88800	19390
11000	122	9,33	7,4	67500	88800	21000
11100	140	8,15	6,4	67500	88800	21000
11200	151	7,61	5,9	67500	88800	21000
14700	162	9,35	5,5	67500	88800	21000
14900	187	8,23	4,8	68400	89400	21000
11600	208	5,76	4,3	69000	90700	21000
12300	223	5,69	4,0	70300	91800	21000
11900	240	5,11	3,8	70500	92400	21000
12300	286	4,42	3,1	72100	95100	21000
9530	340	2,90	2,6	74450	97600	21000

IHL4 010

Mn ₂ [Nm]	i	Pn ₁ [kW]	n ₂ [rpm]	Fr ₂ CS [N]	Fr ₂ SS [N]	M _{2max} [Nm]
1070	348	0,33	2,6	25850	29300	2400
1070	433	0,26	2,1	26200	29650	2400
1110	474	0,25	1,9	27000	30150	2400
1130	538	0,22	1,7	27300	30900	2400
1170	668	0,19	1,3	27500	31100	2400
1200	740	0,17	1,2	27550	31200	2400
1220	811	0,16	1,1	27600	31350	2400
1250	919	0,14	1,0	27650	31550	2400
1250	1020	0,13	0,9	27700	31800	2400
1250	1160	0,11	0,8	27800	32000	2400
1250	1270	0,11	0,7	28200	32100	2400
1000	1440	0,07	0,6	28700	32200	2400
1250	1590	0,08	0,6	28700	32200	2400
1250	1740	0,08	0,5	29600	32500	2400
1000	2160	0,05	0,4	31000	34000	2400
1000	2720	0,04	0,3	31000	34000	2400

IHL4 030

Mn ₂ [Nm]	i	Pn ₁ [kW]	n ₂ [rpm]	Fr ₂ CS [N]	Fr ₂ SS [N]	M _{2max} [Nm]
2810	348	0,86	2,6	48600	56450	5200
2830	433	0,70	2,1	49750	57300	5200
2830	474	0,64	1,9	50500	58600	5200
2840	538	0,56	1,7	51400	59700	5200
2880	668	0,46	1,3	53300	62000	5200
2910	740	0,42	1,2	53600	62200	5200
2760	831	0,35	1,1	54800	63500	5200
2970	919	0,34	1,0	55300	64200	5200
2970	1020	0,31	0,9	55850	65600	5200
2800	1140	0,26	0,8	56400	67100	5200
2970	1270	0,25	0,7	56950	67750	5200
2800	1440	0,21	0,6	57500	68900	5200
2970	1590	0,20	0,6	57500	68900	5200
2560	1740	0,16	0,5	58600	69800	5200
2800	1980	0,15	0,5	58600	69800	5200
2560	2190	0,12	0,4	61000	73100	5200
2440	2280	0,11	0,4	61000	73100	5200
2440	2490	0,10	0,4	61000	73100	5200
2800	2720	0,11	0,3	62500	74000	5200

IHL4 020

Mn ₂ [Nm]	i	Pn ₁ [kW]	n ₂ [rpm]	Fr ₂ CS [N]	Fr ₂ SS [N]	M _{2max} [Nm]
2140	348	0,65	2,6	25850	29300	3400
2150	433	0,53	2,1	26200	29650	3400
2220	474	0,50	1,9	27000	30150	3400
2240	538	0,44	1,7	27300	30900	3400
2330	668	0,37	1,3	27500	31100	3400
2370	740	0,34	1,2	27550	31200	3400
2410	811	0,32	1,1	27600	31350	3400
2460	919	0,28	1,0	27650	31550	3400
2460	1020	0,26	0,9	27700	31800	3400
2460	1160	0,23	0,8	27800	32000	3400
2460	1270	0,21	0,7	28200	32100	3400
1830	1440	0,14	0,6	28700	32200	3400
2460	1590	0,16	0,6	28700	32200	3400
2460	1740	0,15	0,5	29600	32500	3400
1830	2160	0,09	0,4	31000	34000	3400
1830	2720	0,07	0,3	31000	34000	3400

IHL4 050

Mn ₂ [Nm]	i	Pn ₁ [kW]	n ₂ [rpm]	Fr ₂ CS [N]	Fr ₂ SS [N]	M _{2max} [Nm]
5500	348	1,68	2,6	48600	56450	8800
5530	433	1,36	2,1	49750	57300	8800
5540	474	1,24	1,9	50500	58600	8800
5570	538	1,10	1,7	51400	59700	8800
5650	668	0,90	1,3	53300	62000	8800
5710	740	0,82	1,2	53600	62200	8800
5410	831	0,69	1,1	54800	63500	8800
5800	919	0,67	1,0	55300	64200	8800
5800	1020	0,61	0,9	55850	65600	8800
5470	1140	0,51	0,8	56400	67100	8800
5800	1270	0,49	0,7	56950	67750	8800
5470	1440	0,40	0,6	57500	68900	8800
5800	1590	0,39	0,6	57500	68900	8800
5070	1740	0,31	0,5	58600	69800	8800
5470	1980	0,29	0,5	58600	69800	8800
5070	2190	0,25	0,4	61000	73100	8800
4610	2280	0,22	0,4	61000	73100	8800
4610	2490	0,20	0,4	61000	73100	8800
5470	2720	0,21	0,3	62500	74000	8800

IHL4 080

Mn ₂ [Nm]	i	Pn ₁ [kW]	n ₂ [rpm]	Fr ₂ CS [N]	Fr ₂ SS [N]	M _{2max} [Nm]
8140	395	2,19	2,3	69350	80000	14900
9900	467	2,26	1,9	70700	81750	14900
9920	529	2,00	1,7	72250	83400	14900
9970	586	1,81	1,5	73050	84350	14900
9440	658	1,53	1,4	74600	86150	14900
10200	728	1,49	1,2	75450	87100	14900
9830	825	1,27	1,1	76400	88500	14900
9700	905	1,14	1,0	77500	89400	14900
10400	1000	1,11	0,9	78000	90000	14900
9700	1140	0,91	0,8	78300	90300	14900
10400	1260	0,88	0,7	78700	90700	14900
9950	1430	0,74	0,6	79000	91100	14900
9700	1570	0,66	0,6	79000	91100	14900
9950	1800	0,59	0,5	79500	91600	14900
8630	2090	0,44	0,4	83200	96000	14900
9950	2270	0,47	0,4	83200	96000	14900
8630	2500	0,37	0,4	83200	96000	14900
8840	2710	0,35	0,3	86600	100000	14900

IHL4 130

Mn ₂ [Nm]	i	Pn ₁ [kW]	n ₂ [rpm]	Fr ₂ CS [N]	Fr ₂ SS [N]	M _{2max} [Nm]
14900	330	4,81	2,7	74000	96800	21000
14900	358	4,43	2,5	75150	98300	21000
15000	410	3,89	2,2	76000	100200	21000
15100	449	3,58	2,0	77100	101600	21000
15200	509	3,18	1,8	78300	103100	21000
15300	564	2,89	1,6	80000	104800	21000
15400	633	2,59	1,4	81600	106500	21000
15500	701	2,36	1,3	82300	107700	21000
14700	812	1,92	1,1	84200	110800	21000
14800	899	1,76	1,0	85100	112000	21000
15700	964	1,73	0,9	86500	114400	21000
14800	1130	1,40	0,8	88000	116100	21000
14800	1240	1,28	0,7	89100	117800	21000
14800	1410	1,12	0,6	92600	122000	21000
14800	1560	1,01	0,6	92600	122000	21000
14800	1770	0,89	0,5	95000	125000	21000
14800	1940	0,82	0,5	95000	125000	21000
11000	2510	0,47	0,4	98500	129600	21000

IHL4 180

Mn ₂ [Nm]	i	Pn ₁ [kW]	n ₂ [rpm]	Fr ₂ CS [N]	Fr ₂ SS [N]	M _{2max} [Nm]
20800	330	6,72	2,7	75600	96800	29000
21100	410	5,48	2,2	77800	100200	29000
21200	449	5,02	2,0	79000	101600	29000
21300	509	4,45	1,8	80100	103100	29000
21400	564	4,05	1,6	81600	104800	29000
20800	654	3,39	1,4	83100	106500	29000
21700	701	3,30	1,3	84000	107700	29000
21600	812	2,83	1,1	85800	110800	29000
22000	899	2,60	1,0	87100	112000	29000
17000	980	1,85	0,9	88500	114400	29000
22000	1130	2,07	0,8	90300	116100	29000
22000	1240	1,89	0,7	91200	117800	29000
22000	1410	1,66	0,6	94400	122000	29000
22000	1560	1,50	0,6	94400	122000	29000
19100	1770	1,15	0,5	97200	125000	29000
22000	1940	1,21	0,5	97200	125000	29000
17000	2510	0,72	0,4	100400	129600	29000

5.4 IHL GEAR REDUCER - 500 rpm

IHL1 010

Mn_2 [Nm]	i	Pn_1 [kW]	n_2 [rpm]	Fr_2 CS [N]	Fr_2 SS [N]	M_{2max} [Nm]
630	5,37	6,33	93,1	12120	13730	990
530	7,38	3,87	67,7	12970	14670	1360
370	9,30	2,15	53,8	13880	15670	1710

IHL1 020

Mn_2 [Nm]	i	Pn_1 [kW]	n_2 [rpm]	Fr_2 CS [N]	Fr_2 SS [N]	M_{2max} [Nm]
730	9,30	4,24	53,8	13880	15670	1710

IHL1 030

Mn_2 [Nm]	i	Pn_1 [kW]	n_2 [rpm]	Fr_2 CS [N]	Fr_2 SS [N]	M_{2max} [Nm]
860	9,30	4,99	53,8	25750	30000	1710

IHL2 010

Mn ₂ [Nm]	i	Pn ₁ [kW]	n ₂ [rpm]	Fr ₂ CS [N]	Fr ₂ SS [N]	M _{2max} [Nm]
730	11,8	3,43	42,2	15100	17100	2000
860	14,9	3,22	33,6	16200	18400	2400
860	18,7	2,56	26,8	17250	19600	2400
860	23,2	2,06	21,6	18300	20650	2400
740	28,8	1,43	17,3	20100	22650	2400
870	31,9	1,52	15,7	20600	23250	2400
800	39,6	1,12	12,6	22000	24800	2400
880	40,2	1,22	12,4	22050	24850	2400
820	49,9	0,91	10,0	23650	27000	2400
600	68,7	0,49	7,3	23650	27000	2400

IHL2 030

Mn ₂ [Nm]	i	Pn ₁ [kW]	n ₂ [rpm]	Fr ₂ CS [N]	Fr ₂ SS [N]	M _{2max} [Nm]
1920	21,3	5,02	23,5	33600	38950	3810
2610	23,2	6,26	21,6	34500	40000	4150
1930	26,7	4,02	18,7	36250	42100	4780
2220	28,8	4,29	17,3	37400	43350	5200
2220	31,9	3,87	15,7	37700	43700	5200
1950	33,2	3,27	15,1	38400	44500	5200
2240	39,6	3,14	12,6	40300	46750	5200
1960	45,7	2,39	10,9	42200	49050	5200
1970	57,5	1,91	8,7	45100	51700	5200

IHL2 080

Mn ₂ [Nm]	i	Pn ₁ [kW]	n ₂ [rpm]	Fr ₂ CS [N]	Fr ₂ SS [N]	M _{2max} [Nm]
5500	55,4	5,53	9,0	62700	72500	9900
5500	69,8	4,39	7,2	62700	72500	12470

IHL2 020

Mn ₂ [Nm]	i	Pn ₁ [kW]	n ₂ [rpm]	Fr ₂ CS [N]	Fr ₂ SS [N]	M _{2max} [Nm]
1430	11,8	6,72	42,2	15100	17100	2120
1660	14,9	6,21	33,6	16200	18400	2660
1710	18,7	5,10	26,8	17250	19600	3400
1710	23,2	4,10	21,6	18300	20650	3400
1470	28,8	2,84	17,3	20100	22650	3400
1770	31,9	3,09	15,7	20600	23250	3400
1500	39,6	2,11	12,6	22000	24800	3400
1550	40,2	2,15	12,4	22050	24850	3400
1510	49,9	1,68	10,0	23650	27000	3400
1200	68,7	0,97	7,3	23650	27000	3400

IHL2 050

Mn ₂ [Nm]	i	Pn ₁ [kW]	n ₂ [rpm]	Fr ₂ CS [N]	Fr ₂ SS [N]	M _{2max} [Nm]
3680	33,2	6,17	15,1	38400	44500	5940
4410	39,6	6,19	12,6	40300	46750	7090
3750	45,7	4,57	10,9	42200	49050	8170
3750	57,5	3,63	8,7	45100	51700	8800

IHL3 010

Mn ₂ [Nm]	i	Pn ₁ [kW]	n ₂ [rpm]	Fr ₂ CS [N]	Fr ₂ SS [N]	M _{2max} [Nm]
880	51,2	0,99	9,8	23650	27000	2400
900	64,2	0,80	7,8	23650	27000	2400
940	80,6	0,67	6,2	23650	27000	2400
750	87,4	0,49	5,7	23650	27000	2000
950	100	0,54	5,0	23650	27000	2400
970	110	0,51	4,6	24100	27550	2400
1000	125	0,46	4,0	24600	28100	2400
1010	138	0,42	3,6	24800	28350	2400
870	155	0,32	3,2	25000	28500	2400
1050	174	0,35	2,9	25200	28800	2400
770	188	0,24	2,7	25600	29100	2000
1070	216	0,28	2,3	26000	29450	2400
1070	236	0,26	2,1	26200	29650	2400
1130	297	0,22	1,7	27300	30900	2400
960	369	0,15	1,4	27450	31050	2400

IHL3 030

Mn ₂ [Nm]	i	Pn ₁ [kW]	n ₂ [rpm]	Fr ₂ CS [N]	Fr ₂ SS [N]	M _{2max} [Nm]
2650	51,2	2,97	9,8	45100	51700	5200
2710	64,2	2,42	7,8	45100	51700	5200
1970	73,3	1,54	6,8	45100	51700	5200
2770	80,6	1,97	6,2	45100	51700	5200
1970	92,0	1,23	5,4	45100	51700	5200
2810	100	1,61	5,0	45100	51700	5200
2000	114	1,00	4,4	45650	52600	5200
2810	125	1,29	4,0	46000	53450	5200
2810	138	1,17	3,6	46900	54300	5200
2440	155	0,90	3,2	47200	54800	5200
2810	171	0,94	2,9	48250	55300	5200
2100	197	0,61	2,5	48900	56750	5200
2820	216	0,75	2,3	49250	57050	5200
2180	249	0,50	2,0	50100	57950	5200
2580	293	0,51	1,7	51400	59700	5200
2250	309	0,42	1,6	51800	60050	5200
2670	369	0,42	1,4	53000	61650	5200
2370	425	0,32	1,2	53600	62200	5200

IHL3 020

Mn ₂ [Nm]	i	Pn ₁ [kW]	n ₂ [rpm]	Fr ₂ CS [N]	Fr ₂ SS [N]	M _{2max} [Nm]
1780	51,2	2,00	9,8	23650	27000	3400
1850	64,2	1,65	7,8	23650	27000	3400
1910	80,6	1,36	6,2	23650	27000	3400
1430	87,4	0,94	5,7	23650	27000	3400
1950	100	1,12	5,0	23650	27000	3400
1970	110	1,03	4,6	24100	27550	3400
1990	125	0,92	4,0	24600	28100	3400
2010	138	0,84	3,6	24800	28350	3400
1650	155	0,61	3,2	25000	28500	3400
2050	174	0,68	2,9	25200	28800	3400
1430	188	0,44	2,7	25600	29100	3400
2140	216	0,57	2,3	26000	29450	3400
2150	236	0,52	2,1	26200	29650	3400
2240	297	0,43	1,7	27300	30900	3400
1750	369	0,27	1,4	27450	31050	3400

IHL3 050

Mn ₂ [Nm]	i	Pn ₁ [kW]	n ₂ [rpm]	Fr ₂ CS [N]	Fr ₂ SS [N]	M _{2max} [Nm]
5300	51,2	5,94	9,8	45100	51700	8800
5360	64,2	4,79	7,8	45100	51700	8800
3750	73,3	2,94	6,8	45100	51700	8800
5410	80,6	3,85	6,2	45100	51700	8800
3750	92,0	2,34	5,4	45100	51700	8800
5480	100	3,14	5,0	45100	51700	8800
3800	114	1,91	4,4	45650	52600	8800
5480	125	2,53	4,0	46000	53450	8800
5490	138	2,29	3,6	46900	54300	8800
4780	155	1,77	3,2	47200	54800	8800
5490	171	1,84	2,9	48250	55300	8800
4000	197	1,16	2,5	48900	56750	8800
5510	216	1,47	2,3	49250	57050	8800
4140	249	0,96	2,0	50100	57950	8800
5080	293	1,00	1,7	51400	59700	8800
4280	309	0,79	1,6	51800	60050	8800
5240	369	0,82	1,4	53000	61650	8800
4490	425	0,61	1,2	53600	62200	8800

IHL3 080

Mn ₂ [Nm]	i	Pn ₁ [kW]	n ₂ [rpm]	Fr ₂ CS [N]	Fr ₂ SS [N]	M _{2max} [Nm]
9770	79,3	7,07	6,3	62700	72500	14620
7970	83,5	5,48	6,0	62700	72500	14900
7920	90,5	5,02	5,5	62700	72500	14900
9850	98,6	5,73	5,1	62700	72500	14900
7960	114	4,02	4,4	63850	73650	14900
9150	122	4,29	4,1	64400	74200	14900
8800	143	3,54	3,5	65100	75150	14900
9240	168	3,15	3,0	66350	76550	14900
8080	194	2,39	2,6	68200	78700	14900
9210	211	2,50	2,4	69100	79750	14900
6890	232	1,71	2,2	69600	80250	14900
9240	244	2,18	2,1	69850	80500	14900
9250	266	1,99	1,9	70700	81750	14900
8640	291	1,70	1,7	72250	83400	14900
9360	307	1,75	1,6	72650	83900	14900
7920	357	1,27	1,4	74600	86150	14900
6730	409	0,94	1,2	75450	87100	14900

IHL3 180

Mn ₂ [Nm]	i	Pn ₁ [kW]	n ₂ [rpm]	Fr ₂ CS [N]	Fr ₂ SS [N]	M _{2max} [Nm]
17900	140	7,32	3,6	72300	93100	24340
18200	151	6,90	3,3	73100	94200	26240
17500	162	6,19	3,1	73900	95100	28130
18600	174	6,12	2,9	74700	96200	29000
19200	208	5,29	2,4	76700	98900	29000
19100	240	4,57	2,1	78200	100700	29000
15500	285	3,11	1,8	80100	103100	29000
15800	340	2,67	1,5	82100	105900	29000

IHL3 130

Mn ₂ [Nm]	i	Pn ₁ [kW]	n ₂ [rpm]	Fr ₂ CS [N]	Fr ₂ SS [N]	M _{2max} [Nm]
11500	112	5,90	4,5	68600	90300	19390
11700	122	5,51	4,1	70250	91500	21000
12000	140	4,89	3,6	70700	93100	21000
12200	151	4,61	3,3	71600	94200	21000
14900	162	5,27	3,1	72100	95100	21000
14900	187	4,57	2,7	74000	96800	21000
12800	208	3,53	2,4	75400	98900	21000
12300	223	3,16	2,2	76000	100200	21000
13100	240	3,13	2,1	76500	100700	21000
13500	286	2,71	1,7	79000	104000	21000
10400	340	1,76	1,5	81000	105900	21000

IHL4 010

Mn ₂ [Nm]	i	Pn ₁ [kW]	n ₂ [rpm]	Fr ₂ CS [N]	Fr ₂ SS [N]	M _{2max} [Nm]
1170	348	0,20	1,4	27450	31050	2400
1210	433	0,17	1,2	27550	31200	2400
1230	474	0,15	1,1	27600	31350	2400
1250	538	0,14	0,9	27700	31800	2400
1250	668	0,11	0,7	28200	32100	2400
1250	740	0,10	0,7	28200	32100	2400
1250	811	0,09	0,6	28700	32200	2400
1250	919	0,08	0,5	29600	32500	2400
1250	1020	0,07	0,5	29600	32500	2400
1250	1160	0,06	0,4	31000	34000	2400
1250	1270	0,06	0,4	31000	34000	2400
1000	1440	0,04	0,3	31000	34000	2400
1250	1590	0,05	0,3	31000	34000	2400
1250	1740	0,04	0,3	31000	34000	2400
1000	2160	0,03	0,2	31000	34000	2400
1000	2720	0,02	0,2	31000	34000	2400

IHL4 030

Mn ₂ [Nm]	i	Pn ₁ [kW]	n ₂ [rpm]	Fr ₂ CS [N]	Fr ₂ SS [N]	M _{2max} [Nm]
2860	348	0,49	1,4	53000	61650	5200
2930	433	0,40	1,2	53600	62200	5200
2960	474	0,37	1,1	54800	63500	5200
2970	538	0,33	0,9	55850	65600	5200
2970	668	0,26	0,7	56950	67750	5200
2970	740	0,24	0,7	56950	67750	5200
2800	831	0,20	0,6	57500	68900	5200
2970	919	0,19	0,5	58600	69800	5200
2970	1020	0,17	0,5	58600	69800	5200
2800	1140	0,14	0,4	61000	73100	5200
2970	1270	0,14	0,4	61000	73100	5200
2800	1440	0,12	0,3	62500	74000	5200
2970	1590	0,11	0,3	62500	74000	5200
2560	1740	0,09	0,3	62500	74000	5200
2800	1980	0,08	0,3	62500	74000	5200
2560	2190	0,07	0,2	64000	74000	5200
2440	2280	0,06	0,2	64000	74000	5200
2440	2490	0,06	0,2	64000	74000	5200
2800	2720	0,06	0,2	64000	74000	5200

IHL4 020

Mn ₂ [Nm]	i	Pn ₁ [kW]	n ₂ [rpm]	Fr ₂ CS [N]	Fr ₂ SS [N]	M _{2max} [Nm]
2310	348	0,39	1,4	27450	31050	3400
2390	433	0,33	1,2	27550	31200	3400
2430	474	0,30	1,1	27600	31350	3400
2460	538	0,27	0,9	27700	31800	3400
2460	668	0,22	0,7	28200	32100	3400
2460	740	0,20	0,7	28200	32100	3400
2460	811	0,18	0,6	28700	32200	3400
2460	919	0,16	0,5	29600	32500	3400
2460	1020	0,14	0,5	29600	32500	3400
2460	1160	0,13	0,4	31000	34000	3400
2460	1270	0,12	0,4	31000	34000	3400
1830	1440	0,08	0,3	31000	34000	3400
2460	1590	0,09	0,3	31000	34000	3400
2460	1740	0,08	0,3	31000	34000	3400
1830	2160	0,05	0,2	31000	34000	3400
1830	2720	0,04	0,2	31000	34000	3400

IHL4 050

Mn ₂ [Nm]	i	Pn ₁ [kW]	n ₂ [rpm]	Fr ₂ CS [N]	Fr ₂ SS [N]	M _{2max} [Nm]
5630	348	0,96	1,4	53000	61650	8800
5740	433	0,78	1,2	53600	62200	8800
5760	474	0,72	1,1	54800	63500	8800
5800	538	0,64	0,9	55850	65600	8800
5800	668	0,51	0,7	56950	67750	8800
5800	740	0,46	0,7	56950	67750	8800
5470	831	0,39	0,6	57500	68900	8800
5800	919	0,37	0,5	58600	69800	8800
5800	1020	0,34	0,5	58600	69800	8800
5470	1140	0,28	0,4	61000	73100	8800
5800	1270	0,27	0,4	61000	73100	8800
5470	1440	0,22	0,3	62500	74000	8800
5800	1590	0,22	0,3	62500	74000	8800
5070	1740	0,17	0,3	62500	74000	8800
5470	1980	0,16	0,3	62500	74000	8800
5070	2190	0,14	0,2	64000	74000	8800
4610	2280	0,12	0,2	64000	74000	8800
4610	2490	0,11	0,2	64000	74000	8800
5470	2720	0,12	0,2	64000	74000	8800

IHL4 080

Mn ₂ [Nm]	i	Pn ₁ [kW]	n ₂ [rpm]	Fr ₂ CS [N]	Fr ₂ SS [N]	M _{2max} [Nm]
8430	395	1,26	1,3	75050	86650	14900
10300	467	1,31	1,1	76400	88500	14900
10400	529	1,16	0,9	78000	90000	14900
10400	586	1,05	0,9	78000	90000	14900
9700	658	0,87	0,8	78300	90300	14900
10400	728	0,85	0,7	78700	90700	14900
9950	825	0,71	0,6	79000	91100	14900
9700	905	0,63	0,6	79000	91100	14900
10400	1000	0,62	0,5	79500	91600	14900
9700	1140	0,50	0,4	83200	96000	14900
10400	1260	0,49	0,4	83200	96000	14900
9950	1430	0,41	0,3	86600	100000	14900
9700	1570	0,37	0,3	86600	100000	14900
9950	1800	0,33	0,3	86600	100000	14900
8630	2090	0,24	0,2	92400	106600	14900
9950	2270	0,26	0,2	92400	106600	14900
8630	2500	0,20	0,2	92400	106600	14900
8840	2710	0,19	0,2	92400	106600	14900

IHL4 180

Mn ₂ [Nm]	i	Pn ₁ [kW]	n ₂ [rpm]	Fr ₂ CS [N]	Fr ₂ SS [N]	M _{2max} [Nm]
21500	330	3,85	1,5	82100	105900	29000
21700	410	3,14	1,2	84900	109300	29000
21700	449	2,86	1,1	85800	110800	29000
21700	509	2,52	1,0	87100	112000	29000
21700	564	2,28	0,9	88500	114400	29000
22000	654	1,99	0,8	90300	116100	29000
21700	701	1,84	0,7	91200	117800	29000
22000	812	1,60	0,6	94400	122000	29000
22000	899	1,45	0,6	94400	122000	29000
17000	980	1,03	0,5	97200	125000	29000
22000	1130	1,15	0,4	100400	129600	29000
22000	1240	1,05	0,4	100400	129600	29000
22000	1410	0,92	0,4	100400	129600	29000
22000	1560	0,83	0,3	105600	136000	29000
19100	1770	0,64	0,3	105600	136000	29000
22000	1940	0,67	0,3	105600	136000	29000
17000	2510	0,40	0,2	108800	140000	29000

IHL4 130

Mn ₂ [Nm]	i	Pn ₁ [kW]	n ₂ [rpm]	Fr ₂ CS [N]	Fr ₂ SS [N]	M _{2max} [Nm]
15400	330	2,75	1,5	81000	105900	21000
15400	358	2,55	1,4	81600	106500	21000
15600	410	2,24	1,2	83000	109300	21000
15600	449	2,05	1,1	84200	110800	21000
15700	509	1,82	1,0	85100	112000	21000
15700	564	1,64	0,9	86500	114400	21000
15700	633	1,47	0,8	88000	116100	21000
15700	701	1,32	0,7	89100	117800	21000
14800	812	1,08	0,6	92600	122000	21000
14800	899	0,98	0,6	92600	122000	21000
15700	964	0,96	0,5	95000	125000	21000
14800	1130	0,78	0,4	98500	129600	21000
14800	1240	0,71	0,4	98500	129600	21000
14800	1410	0,62	0,4	98500	129600	21000
14800	1560	0,56	0,3	102700	136000	21000
14800	1770	0,50	0,3	102700	136000	21000
14800	1940	0,45	0,3	102700	136000	21000
11000	2510	0,26	0,2	106400	140000	21000

HL1 / IHL1 010

$n_2 \cdot h$	10.000	25.000	50.000	100.000	300.000	500.000	1.000.000	1.800.000	2.500.000	3.500.000	5.000.000
i	M_{n_2} [Nm]										
3,44	780	770	750	750	740	730	730	620	550	520	470
4,32	1250	1070	950	880	860	840	750	640	570	540	510
5,37	1000	880	850	820	680	650	630	550	500	490	460
7,38	750	650	600	600	580	550	510	450	440	430	390
9,30	550	460	400	400	390	370	350	310	280	260	240

HL1 / IHL1 020

$n_2 \cdot h$	10.000	25.000	50.000	100.000	300.000	500.000	1.000.000	1.800.000	2.500.000	3.500.000	5.000.000
i	M_{n_2} [Nm]										
3,44	1490	1430	1430	1430	1430	1430	1300	1130	980	920	850
4,32	2460	2140	1950	1780	1690	1580	1370	1170	1060	960	860
5,37	1830	1650	1600	1510	1430	1320	1240	1070	970	910	830
7,38	1340	1250	1200	1200	1170	1150	940	780	760	750	720
9,30	920	780	730	730	730	730	670	620	560	520	470

HL1 / IHL1 030

$n_2 \cdot h$	10.000	25.000	50.000	100.000	300.000	500.000	1.000.000	1.800.000	2.500.000	3.500.000	5.000.000
i	M_{n_2} [Nm]										
5,37	2800	2520	2300	2250	2180	2140	2030	1670	1520	1400	1270
6,19	2440	2100	1970	1970	1890	1820	1820	1510	1380	1330	1240
7,38	2100	1870	1710	1650	1650	1650	1500	1250	1230	1150	1060
9,30	1250	1150	1070	1000	900	860	860	750	690	660	600

HL1 / IHL1 080

$n_2 \cdot h$	10.000	25.000	50.000	100.000	300.000	500.000	1.000.000	1.800.000	2.500.000	3.500.000	5.000.000
i	M_{n_2} [Nm]										
7,50	7000	5900	5500	5500	5100	4810	4430	4100	3900	3680	3430

HL2 / IHL2 010

$n_2 \cdot h$	10.000	25.000	50.000	100.000	300.000	500.000	1.000.000	1.800.000	2.500.000	3.500.000	5.000.000
i	Mn₂ [Nm]										
11,8	780	770	750	750	740	730	730	620	550	520	470
14,9	1250	1070	950	880	860	840	750	640	570	540	510
18,7	1250	1070	950	880	860	840	750	640	570	540	510
23,2	1250	1070	950	880	860	840	750	640	570	540	510
28,8	1000	880	850	820	680	650	630	550	500	490	460
31,9	1250	1070	950	880	860	840	750	640	570	540	510
39,6	1000	880	850	820	680	650	630	550	500	490	460
40,2	1250	1070	950	880	860	840	750	640	570	540	510
49,9	1000	880	850	820	680	650	630	550	500	490	460
68,7	750	650	600	600	580	550	510	450	440	430	390

HL2 / IHL2 020

$n_2 \cdot h$	10.000	25.000	50.000	100.000	300.000	500.000	1.000.000	1.800.000	2.500.000	3.500.000	5.000.000
i	Mn₂ [Nm]										
11,8	1490	1430	1430	1430	1430	1430	1300	1130	980	920	850
14,9	2460	2140	1950	1780	1690	1580	1370	1170	1060	960	860
18,7	2460	2140	1950	1780	1690	1580	1370	1170	1060	960	860
23,2	2460	2140	1950	1780	1690	1580	1370	1170	1060	960	860
28,8	1830	1650	1600	1510	1430	1320	1240	1070	970	910	830
31,9	2460	2140	1950	1780	1690	1580	1370	1170	1060	960	860
39,6	1830	1650	1600	1510	1430	1320	1240	1070	970	910	830
40,2	1730	1680	1680	1590	1370	1220	1010	940	940	940	860
49,9	1830	1650	1600	1510	1430	1320	1190	1070	970	910	830
68,7	1340	1250	1200	1200	1170	1150	940	780	760	750	720

HL2 / IHL2 030

$n_2 \cdot h$	10.000	25.000	50.000	100.000	300.000	500.000	1.000.000	1.800.000	2.500.000	3.500.000	5.000.000
i	Mn₂ [Nm]										
11,8	2410	2310	2310	2310	2260	2210	1740	1540	1420	1310	1210
14,9	2970	2810	2810	2650	2590	2420	2050	1750	1580	1410	1280
18,7	2970	2810	2810	2650	2590	2430	2090	1750	1580	1410	1280
21,3	2440	2100	1970	1970	1890	1820	1820	1510	1380	1330	1240
23,2	2970	2810	2810	2650	2470	2180	2010	1750	1580	1410	1280
26,7	2440	2100	1970	1970	1890	1820	1820	1510	1380	1330	1240
28,8	2800	2520	2300	2250	2180	2140	2030	1670	1520	1400	1270
31,9	2560	2520	2470	2350	2040	1840	1730	1490	1460	1410	1280
33,2	2440	2100	1970	1970	1890	1820	1820	1510	1380	1330	1240
39,6	2800	2520	2300	2250	2180	2140	2030	1670	1520	1400	1270
45,7	2440	2100	1970	1970	1890	1820	1820	1510	1380	1330	1240
57,5	2400	2100	1970	1970	1860	1630	1360	1340	1340	1330	1240

HL2 / IHL2 050

$n_2 \cdot h$	10.000	25.000	50.000	100.000	300.000	500.000	1.000.000	1.800.000	2.500.000	3.500.000	5.000.000
i	M_{n_2} [Nm]										
11,8	4700	4490	4490	4470	4260	3840	3090	2710	2500	2290	2170
14,9	5800	5500	5480	5300	4590	4410	3630	2960	2680	2430	2200
18,7	5800	5500	5480	5300	4590	4410	3630	2960	2680	2430	2200
21,3	4610	4000	3750	3750	3630	3550	3460	2840	2580	2340	2130
23,2	5800	5500	5480	5300	4880	4280	3630	2960	2680	2430	2200
26,7	4610	4000	3750	3750	3630	3550	3460	2840	2580	2340	2130
28,8	5470	5000	4470	4420	4330	4280	3490	2880	2620	2400	2160
31,9	5070	5030	4940	4820	3600	3220	3150	2850	2680	2430	2200
33,2	4610	4000	3750	3750	3630	3550	3460	2840	2580	2340	2130
39,6	5470	5000	4470	4420	4220	4000	3490	2880	2620	2400	2160
45,7	4610	4000	3750	3750	3630	3550	3460	2840	2580	2340	2130
57,5	4380	4000	3750	3750	3630	3180	2700	2640	2580	2340	2130

HL2 / IHL2 080

$n_2 \cdot h$	10.000	25.000	50.000	100.000	300.000	500.000	1.000.000	1.800.000	2.500.000	3.500.000	5.000.000
i	M_{n_2} [Nm]										
22,8	9700	9270	9100	8900	7670	6680	5480	4620	4190	3780	3390
26,3	8250	8120	7920	7630	6850	5890	5380	4500	4080	3690	3310
28,6	9950	9200	8300	7950	7180	6810	5780	4790	4370	3980	3560
33,0	9950	9200	8300	7950	7180	6810	5780	4790	4370	3980	3560
38,4	8630	7370	6650	6600	6470	6460	5480	4670	4230	3910	3520
45,8	8630	7370	6650	6600	6470	6460	5480	4670	4230	3910	3520
55,4	7000	5900	5500	5500	5100	4810	4430	4100	3900	3680	3430
69,8	7000	5900	5500	5500	5100	4740	4120	4100	3900	3680	3430

HL2 / IHL2 130

$n_2 \cdot h$	10.000	25.000	50.000	100.000	300.000	500.000	1.000.000	1.800.000	2.500.000	3.500.000	5.000.000
i	M_{n_2} [Nm]										
38,8	14800	12700	11300	10800	9800	9340	7590	6260	5690	5150	4590
46,0	11000	9600	8700	8700	8390	8240	7490	6190	5640	5110	4570

HL2 / IHL2 180

$n_2 \cdot h$	10.000	25.000	50.000	100.000	300.000	500.000	1.000.000	1.800.000	2.500.000	3.500.000	5.000.000
i	M_{n_2} [Nm]										
46,0	17000	14400	13000	13000	12400	11900	10300	8480	7710	7000	6250

HL3 / IHL3 010

$n_2 \cdot h$	10.000	25.000	50.000	100.000	300.000	500.000	1.000.000	1.800.000	2.500.000	3.500.000	5.000.000
i	M _{n2} [Nm]										
51,2	1250	1070	950	880	860	840	750	640	570	540	510
64,2	1250	1070	950	880	860	840	750	640	570	540	510
80,6	1250	1070	950	880	860	840	750	640	570	540	510
87,4	780	770	750	750	740	730	730	620	550	520	470
100	1250	1070	950	880	860	840	750	640	570	540	510
110	1250	1070	950	880	860	840	750	640	570	540	510
125	1250	1070	950	880	860	840	750	640	570	540	510
138	1250	1070	950	880	860	840	750	640	570	540	510
155	1000	880	850	820	680	650	630	550	500	490	460
174	1250	1070	950	880	860	840	750	640	570	540	510
188	780	770	750	750	740	730	730	620	550	520	470
216	1250	1070	950	880	860	840	750	640	570	540	510
236	1250	1070	950	880	860	840	750	640	570	540	510
297	1250	1070	950	880	860	840	750	640	570	540	510
369	1000	880	850	820	680	650	630	550	500	490	460

HL3 / IHL3 020

$n_2 \cdot h$	10.000	25.000	50.000	100.000	300.000	500.000	1.000.000	1.800.000	2.500.000	3.500.000	5.000.000
i	M _{n2} [Nm]										
51,2	2460	2140	1950	1780	1690	1580	1370	1170	1060	960	860
64,2	2460	2140	1950	1780	1690	1580	1370	1170	1060	960	860
80,6	2460	2140	1950	1780	1690	1580	1370	1170	1060	960	860
87,4	1490	1430	1430	1430	1430	1430	1300	1130	980	920	850
100	2460	2140	1950	1780	1690	1580	1370	1170	1060	960	860
110	2460	2140	1950	1780	1690	1580	1370	1170	1060	960	860
125	2460	2140	1950	1780	1690	1580	1370	1170	1060	960	860
138	2460	2140	1950	1780	1690	1580	1370	1170	1060	960	860
155	1830	1650	1600	1510	1430	1320	1240	1070	970	910	830
174	2460	2140	1950	1780	1690	1580	1370	1170	1060	960	860
188	1490	1430	1430	1430	1430	1430	1300	1130	980	920	850
216	2460	2140	1950	1780	1690	1580	1370	1170	1060	960	860
236	2460	2140	1950	1780	1690	1580	1370	1170	1060	960	860
297	2460	2140	1950	1780	1690	1580	1370	1170	1060	960	860
369	1830	1650	1600	1510	1430	1320	1240	1070	970	910	830

HL3 / IHL3 030

$n_2 \cdot h$	10.000	25.000	50.000	100.000	300.000	500.000	1.000.000	1.800.000	2.500.000	3.500.000	5.000.000
i	Mn ₂ [Nm]										
51,2	2970	2810	2810	2650	2590	2420	2050	1750	1580	1410	1280
64,2	2970	2810	2810	2650	2590	2430	2090	1750	1580	1410	1280
73,3	2440	2100	1970	1970	1890	1820	1820	1510	1380	1330	1240
80,6	2970	2810	2810	2650	2590	2430	2090	1750	1580	1410	1280
92,0	2440	2100	1970	1970	1890	1820	1820	1510	1380	1330	1240
100	2970	2810	2810	2650	2590	2430	2090	1750	1580	1410	1280
114	2440	2100	1970	1970	1890	1820	1820	1510	1380	1330	1240
125	2970	2810	2810	2650	2470	2180	2010	1750	1580	1410	1280
138	2970	2810	2810	2650	2590	2430	2090	1750	1580	1410	1280
155	2800	2520	2300	2250	2180	2140	2030	1670	1520	1400	1270
171	2970	2810	2810	2650	2470	2180	2010	1750	1580	1410	1280
197	2440	2100	1970	1970	1890	1820	1820	1510	1380	1330	1240
216	2970	2810	2810	2650	2470	2180	2010	1750	1580	1410	1280
249	2440	2100	1970	1970	1890	1820	1820	1510	1380	1330	1240
293	2800	2520	2300	2250	2180	2140	2030	1670	1520	1400	1270
309	2440	2100	1970	1970	1890	1820	1820	1510	1380	1330	1240
369	2800	2520	2300	2250	2180	2140	2030	1670	1520	1400	1270
425	2440	2100	1970	1970	1890	1820	1820	1510	1380	1330	1240

HL3 / IHL3 050

$n_2 \cdot h$	10.000	25.000	50.000	100.000	300.000	500.000	1.000.000	1.800.000	2.500.000	3.500.000	5.000.000
i	Mn ₂ [Nm]										
51,2	5800	5500	5480	5300	4590	4410	3630	2960	2680	2430	2200
64,2	5800	5500	5480	5300	4590	4410	3630	2960	2680	2430	2200
73,3	4610	4000	3750	3750	3630	3550	3460	2840	2580	2340	2130
80,6	5800	5500	5480	5300	4590	4410	3630	2960	2680	2430	2200
92,0	4610	4000	3750	3750	3630	3550	3460	2840	2580	2340	2130
100	5800	5500	5480	5300	4590	4410	3630	2960	2680	2430	2200
114	4610	4000	3750	3750	3630	3550	3460	2840	2580	2340	2130
125	5800	5500	5480	5300	4880	4280	3630	2960	2680	2430	2200
138	5800	5500	5480	5300	4590	4410	3630	2960	2680	2430	2200
155	5470	5000	4470	4420	4330	4280	3490	2880	2620	2400	2160
171	5800	5500	5480	5300	4880	4280	3630	2960	2680	2430	2200
197	4610	4000	3750	3750	3630	3550	3460	2840	2580	2340	2130
216	5800	5500	5480	5300	4880	4280	3630	2960	2680	2430	2200
249	4610	4000	3750	3750	3630	3550	3460	2840	2580	2340	2130
293	5470	5000	4470	4420	4220	4000	3490	2880	2620	2400	2160
309	4610	4000	3750	3750	3630	3550	3460	2840	2580	2340	2130
369	5470	5000	4470	4420	4220	4000	3490	2880	2620	2400	2160
425	4610	4000	3750	3750	3630	3550	3460	2840	2580	2340	2130

HL3 / IHL3 080

$n_2 \cdot h$	10.000	25.000	50.000	100.000	300.000	500.000	1.000.000	1.800.000	2.500.000	3.500.000	5.000.000
i	M _{n2} [Nm]										
53,5	8740	8130	8000	7870	7130	6120	4970	4140	3750	3390	3040
63,2	10400	9850	9850	9600	7850	6880	5580	4660	4230	3810	3410
79,3	10400	9850	9850	9600	7850	6880	5580	4660	4230	3810	3410
83,5	8740	8130	8000	7870	7130	6120	4970	4140	3750	3390	3040
90,5	8250	8120	7920	7630	6850	5890	5380	4500	4080	3690	3310
98,6	10400	9850	9850	9330	7850	6880	5580	4660	4230	3810	3410
114	8250	8120	7920	7630	6850	5890	5380	4500	4080	3690	3310
122	9700	9270	9100	8900	7670	6680	5480	4620	4190	3780	3390
143	9950	9200	8300	7950	7180	6810	5780	4790	4370	3980	3560
168	9700	9270	9100	8900	7670	6680	5480	4620	4190	3780	3390
194	8250	8120	7920	7630	6850	5890	5380	4500	4080	3690	3310
211	9950	9200	8300	7950	7180	6810	5780	4790	4370	3980	3560
232	7240	6800	6800	6800	5900	5400	4750	4240	3870	3490	3110
244	9950	9200	8300	7950	7180	6810	5780	4790	4370	3980	3560
266	9950	9200	8300	7400	5970	5970	5780	4790	4370	3980	3560
291	8840	8530	8300	7950	6770	6360	5480	4790	4370	3980	3560
307	9950	9200	8300	7950	7180	6810	5780	4790	4370	3980	3560
357	8630	7370	6650	6600	6470	6460	5480	4670	4230	3910	3520
409	7000	5900	5500	5500	5100	4810	4430	4100	3900	3680	3430

HL3 / IHL3 130

$n_2 \cdot h$	10.000	25.000	50.000	100.000	300.000	500.000	1.000.000	1.800.000	2.500.000	3.500.000	5.000.000
i	M _{n2} [Nm]										
48,4	15700	14900	14900	13500	10700	9560	7770	6440	5790	5310	4770
60,8	15700	14900	14900	13500	10700	9560	7770	6440	5790	5310	4770
76,3	15700	14900	14900	13500	10700	9560	7770	6440	5790	5310	4770
78,0	14800	12700	11300	10800	9800	9340	7590	6260	5690	5150	4590
94,9	15700	14900	14900	13500	10700	9560	7770	6440	5790	5310	4770
104	15700	14900	13800	11300	9950	8740	7770	6440	5790	5310	4770
112	14800	12700	11300	10800	9800	9340	7590	6260	5690	5150	4590
122	14800	12700	11300	10800	9800	9340	7590	6260	5690	5150	4590
140	14800	12700	11300	10800	9800	9340	7590	6260	5690	5150	4590
151	14800	12700	11300	10800	9800	9340	7590	6260	5690	5150	4590
162	15700	14900	14900	13500	10700	9560	7770	6440	5790	5310	4770
187	15200	14900	14500	13500	10700	9560	7770	6440	5790	5310	4770
208	14800	12700	11300	10800	9800	9340	7590	6260	5690	5150	4590
223	12500	12300	12300	12300	10200	9050	7770	6440	5790	5310	4770
240	14800	12700	11300	10800	9800	9340	7590	6260	5690	5150	4590
286	14800	12700	11300	10800	9800	9340	7590	6260	5690	5150	4590
340	11000	9600	8700	8700	8390	8240	7490	6190	5640	5110	4570

HL3 / IHL3 180

$n_2 \cdot h$	10.000	25.000	50.000	100.000	300.000	500.000	1.000.000	1.800.000	2.500.000	3.500.000	5.000.000
i	M_{n_2} [Nm]										
48,4	17800	17700	17200	16000	11700	10500	8910	7600	6820	6100	5420
60,8	21700	21000	19000	17700	13400	11500	9310	7660	6920	6200	5510
76,3	21700	21000	19000	17700	13400	11500	9310	7660	6920	6200	5510
78,0	22000	19100	16900	16200	13900	12800	10400	8600	7810	7070	6290
94,9	21700	21000	19000	17700	13400	11500	9310	7660	6920	6200	5510
98,0	22000	19100	16900	16200	13900	12800	10400	8600	7810	7070	6290
112	19100	18900	16900	16200	13900	12800	10400	8600	7810	7070	6290
122	22000	19100	16900	16200	13900	12800	10400	8600	7810	7070	6290
140	19100	18900	16900	16200	13900	12800	10400	8600	7810	7070	6290
151	22000	19100	16900	16200	13900	12800	10400	8600	7810	7070	6290
162	18300	17500	17400	15900	13300	11200	9090	7560	6810	6100	5430
174	19100	18900	16900	16200	13900	12800	10400	8600	7810	7070	6290
208	22000	19100	16900	16200	13900	12800	10400	8600	7810	7070	6290
240	19100	18900	16900	16200	13900	12800	10400	8600	7810	7070	6290
285	17000	14400	13000	13000	12400	11900	10300	8480	7710	7000	6250
340	17000	14400	13000	13000	12400	11900	10300	8480	7710	7000	6250

HL4 / IHL4 010

$n_2 \cdot h$	10.000	25.000	50.000	100.000	300.000	500.000	1.000.000	1.800.000	2.500.000	3.500.000	5.000.000
i	M_{n_2} [Nm]										
348	1250	1070	950	880	860	840	750	640	570	540	510
433	1250	1070	950	880	860	840	750	640	570	540	510
474	1250	1070	950	880	860	840	750	640	570	540	510
538	1250	1070	950	880	860	840	750	640	570	540	510
668	1250	1070	950	880	860	840	750	640	570	540	510
740	1250	1070	950	880	860	840	750	640	570	540	510
811	1250	1070	950	880	860	840	750	640	570	540	510
919	1250	1070	950	880	860	840	750	640	570	540	510
1020	1250	1070	950	880	860	840	750	640	570	540	510
1160	1250	1070	950	880	860	840	750	640	570	540	510
1260	1250	1070	950	880	860	840	750	640	570	540	510
1440	1000	880	850	820	680	650	630	550	500	490	460
1590	1250	1070	950	880	860	840	750	640	570	540	510
1740	1250	1070	950	880	860	840	750	640	570	540	510
2160	1000	880	850	820	680	650	630	550	500	490	460
2720	1000	880	850	820	680	650	630	550	500	490	460

HL4 / IHL4 020

$n_2 \cdot h$	10.000	25.000	50.000	100.000	300.000	500.000	1.000.000	1.800.000	2.500.000	3.500.000	5.000.000
i	Mn ₂ [Nm]										
348	2460	2140	1950	1780	1690	1580	1370	1170	1060	960	860
433	2460	2140	1950	1780	1690	1580	1370	1170	1060	960	860
474	2460	2140	1950	1780	1690	1580	1370	1170	1060	960	860
538	2460	2140	1950	1780	1690	1580	1370	1170	1060	960	860
668	2460	2140	1950	1780	1690	1580	1370	1170	1060	960	860
740	2460	2140	1950	1780	1690	1580	1370	1170	1060	960	860
811	2460	2140	1950	1780	1690	1580	1370	1170	1060	960	860
919	2460	2140	1950	1780	1690	1580	1370	1170	1060	960	860
1020	2460	2140	1950	1780	1690	1580	1370	1170	1060	960	860
1160	2460	2140	1950	1780	1690	1580	1370	1170	1060	960	860
1260	2460	2140	1950	1780	1690	1580	1370	1170	1060	960	860
1440	1830	1650	1600	1510	1430	1320	1240	1070	970	910	830
1590	2460	2140	1950	1780	1690	1580	1370	1170	1060	960	860
1740	2460	2140	1950	1780	1690	1580	1370	1170	1060	960	860
2160	1830	1650	1600	1510	1430	1320	1240	1070	970	910	830
2720	1830	1650	1600	1510	1430	1320	1240	1070	970	910	830

HL4 / IHL4 030

$n_2 \cdot h$	10.000	25.000	50.000	100.000	300.000	500.000	1.000.000	1.800.000	2.500.000	3.500.000	5.000.000
i	Mn ₂ [Nm]										
348	2970	2810	2810	2650	2590	2430	2090	1750	1580	1410	1280
433	2970	2810	2810	2650	2590	2430	2090	1750	1580	1410	1280
474	2970	2810	2810	2650	2590	2430	2090	1750	1580	1410	1280
538	2970	2810	2810	2650	2590	2430	2090	1750	1580	1410	1280
668	2970	2810	2810	2650	2470	2180	2010	1750	1580	1410	1280
740	2970	2810	2810	2650	2590	2430	2090	1750	1580	1410	1280
831	2800	2520	2300	2250	2180	2140	2030	1670	1520	1400	1270
919	2970	2810	2810	2650	2470	2180	2010	1750	1580	1410	1280
1020	2970	2810	2810	2650	2590	2430	2090	1750	1580	1410	1280
1140	2800	2520	2300	2250	2180	2140	2030	1670	1520	1400	1270
1260	2970	2810	2810	2650	2470	2180	2010	1750	1580	1410	1280
1440	2800	2520	2300	2250	2180	2140	2030	1670	1520	1400	1270
1590	2970	2810	2810	2650	2470	2180	2010	1750	1580	1410	1280
1740	2560	2520	2470	2350	2040	1840	1730	1490	1460	1410	1280
1980	2800	2520	2300	2250	2180	2140	2030	1670	1520	1400	1270
2190	2560	2520	2470	2350	2040	1840	1730	1490	1460	1410	1280
2280	2440	2100	1970	1970	1890	1820	1820	1510	1380	1330	1240
2490	2440	2100	1970	1970	1890	1820	1820	1510	1380	1330	1240
2720	2800	2520	2300	2250	2180	2140	2030	1670	1520	1400	1270

HL4 / IHL4 050

$n_2 \cdot h$	10.000	25.000	50.000	100.000	300.000	500.000	1.000.000	1.800.000	2.500.000	3.500.000	5.000.000
i	M _{n2} [Nm]										
348	5800	5500	5480	5300	4590	4410	3630	2960	2680	2430	2200
433	5800	5500	5480	5300	4590	4410	3630	2960	2680	2430	2200
474	5800	5500	5480	5300	4590	4410	3630	2960	2680	2430	2200
538	5800	5500	5480	5300	4590	4410	3630	2960	2680	2430	2200
668	5800	5500	5480	5300	4880	4280	3630	2960	2680	2430	2200
740	5800	5500	5480	5300	4590	4410	3630	2960	2680	2430	2200
831	5470	5000	4470	4420	4330	4280	3490	2880	2620	2400	2160
919	5800	5500	5480	5300	4880	4280	3630	2960	2680	2430	2200
1020	5800	5500	5480	5300	4590	4410	3630	2960	2680	2430	2200
1140	5470	5000	4470	4420	4330	4280	3490	2880	2620	2400	2160
1260	5800	5500	5480	5300	4880	4280	3630	2960	2680	2430	2200
1440	5470	5000	4470	4420	4330	4280	3490	2880	2620	2400	2160
1590	5800	5500	5480	5300	4880	4280	3630	2960	2680	2430	2200
1740	5070	5030	4940	4820	3600	3220	3150	2850	2680	2430	2200
1980	5470	5000	4470	4420	4330	4280	3490	2880	2620	2400	2160
2190	5070	5030	4940	4820	3600	3220	3150	2850	2680	2430	2200
2280	4610	4000	3750	3750	3630	3550	3460	2840	2580	2340	2130
2490	4610	4000	3750	3750	3630	3550	3460	2840	2580	2340	2130
2720	5470	5000	4470	4420	4220	4000	3490	2880	2620	2400	2160

HL4 / IHL4 080

$n_2 \cdot h$	10.000	25.000	50.000	100.000	300.000	500.000	1.000.000	1.800.000	2.500.000	3.500.000	5.000.000
i	M _{n2} [Nm]										
395	8740	8130	8000	7870	7130	6120	4970	4140	3750	3390	3040
467	10400	9850	9850	9600	7850	6880	5580	4660	4230	3810	3410
529	10400	9850	9850	9330	7850	6880	5580	4660	4230	3810	3410
586	10400	9850	9850	9600	7850	6880	5580	4660	4230	3810	3410
658	9700	9270	9100	8900	7670	6680	5480	4620	4190	3780	3390
728	10400	9850	9850	9330	7850	6880	5580	4660	4230	3810	3410
825	9950	9200	8300	7950	7180	6810	5780	4790	4370	3980	3560
905	9700	9270	9100	8900	7670	6680	5480	4620	4190	3780	3390
1000	10200	9690	8820	7790	6680	6020	5580	4660	4230	3810	3410
1140	9700	9270	9100	8900	7670	6680	5480	4620	4190	3780	3390
1260	10200	9690	8820	7790	6680	6020	5580	4660	4230	3810	3410
1430	9950	9200	8300	7950	7180	6810	5780	4790	4370	3980	3560
1570	9700	9270	9100	8900	7670	6680	5480	4620	4190	3780	3390
1800	9950	9200	8300	7950	7180	6810	5780	4790	4370	3980	3560
2090	8630	7370	6650	6600	6470	6460	5480	4670	4230	3910	3520
2270	9950	9200	8300	7950	7180	6810	5780	4790	4370	3980	3560
2500	8630	7370	6650	6600	6470	6460	5480	4670	4230	3910	3520
2700	8840	8530	8300	7950	6770	6360	5480	4790	4370	3980	3560

HL4 / IHL4 130

$n_2 \cdot h$	10.000	25.000	50.000	100.000	300.000	500.000	1.000.000	1.800.000	2.500.000	3.500.000	5.000.000
i	M_{n_2} [Nm]										
330	15700	14900	14900	13500	10700	9560	7770	6440	5790	5310	4770
358	15700	14900	14900	13500	10700	9560	7770	6440	5790	5310	4770
410	15700	14900	14900	13500	10700	9560	7770	6440	5790	5310	4770
449	15700	14900	14900	13500	10700	9560	7770	6440	5790	5310	4770
509	15700	14900	14900	13500	10700	9560	7770	6440	5790	5310	4770
564	15700	14900	14900	13500	10700	9560	7770	6440	5790	5310	4770
633	15700	14900	14900	13500	10700	9560	7770	6440	5790	5310	4770
701	15700	14900	14900	13500	10700	9560	7770	6440	5790	5310	4770
812	14800	12700	11300	10800	9800	9340	7590	6260	5690	5150	4590
899	14800	12700	11300	10800	9800	9340	7590	6260	5690	5150	4590
964	15700	14900	14900	13500	10700	9560	7770	6440	5790	5310	4770
1130	14800	12700	11300	10800	9800	9340	7590	6260	5690	5150	4590
1240	14800	12700	11300	10800	9800	9340	7590	6260	5690	5150	4590
1410	14800	12700	11300	10800	9800	9340	7590	6260	5690	5150	4590
1560	14800	12700	11300	10800	9800	9340	7590	6260	5690	5150	4590
1770	14800	12700	11300	10800	9800	9340	7590	6260	5690	5150	4590
1940	14800	12700	11300	10800	9800	9340	7590	6260	5690	5150	4590
2510	11000	9600	8700	8700	8390	8240	7490	6190	5640	5110	4570

HL4 / IHL4 180

$n_2 \cdot h$	10.000	25.000	50.000	100.000	300.000	500.000	1.000.000	1.800.000	2.500.000	3.500.000	5.000.000
i	M_{n_2} [Nm]										
330	21700	21000	19000	17700	13400	11500	9310	7660	6920	6200	5510
410	21700	21000	19000	17700	13400	11500	9310	7660	6920	6200	5510
449	21700	21000	19000	17700	13400	11500	9310	7660	6920	6200	5510
509	21700	21000	19000	17700	13400	11500	9310	7660	6920	6200	5510
564	21700	21000	19000	17700	13400	11500	9310	7660	6920	6200	5510
654	22000	19100	16900	16200	13900	12800	10400	8600	7810	7070	6290
701	21700	21000	19000	17700	13400	11500	9310	7660	6920	6200	5510
812	22000	19100	16900	16200	13900	12800	10400	8600	7810	7070	6290
899	22000	19100	16900	16200	13900	12800	10400	8600	7810	7070	6290
980	17000	14400	13000	13000	12400	11900	10300	8480	7710	7000	6250
1130	22000	19100	16900	16200	13900	12800	10400	8600	7810	7070	6290
1240	22000	19100	16900	16200	13900	12800	10400	8600	7810	7070	6290
1410	22000	19100	16900	16200	13900	12800	10400	8600	7810	7070	6290
1560	22000	19100	16900	16200	13900	12800	10400	8600	7810	7070	6290
1770	19100	18900	16900	16200	13900	12800	10400	8600	7810	7070	6290
1940	22000	19100	16900	16200	13900	12800	10400	8600	7810	7070	6290
2510	17000	14400	13000	13000	12400	11900	10300	8480	7710	7000	6250

ATTENTION!

The revised data and information, shown in this technical catalogue, replaces the data of the previous editions. Old data is now obsolete. All technical data, dimensions, weights in this catalogue are subject to changes without warning. Illustrations are not binding. You can find the above mentioned data and information on our site www.motovario.com; please periodically consult the technical documentation on the web site to be always updated about possible modifications of performances and characteristics of the product.

All supplies effected by MOTOVARIO are governed exclusively by the general terms of sale that you can find on our website:

<http://www.motovario.com/eng/corporate/sales-conditions>

