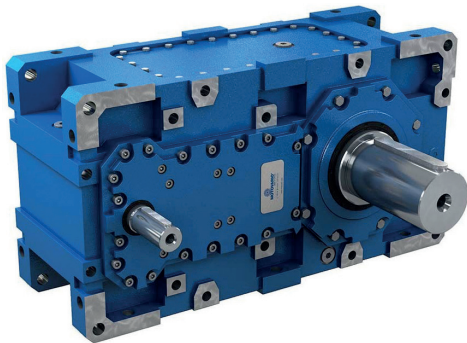
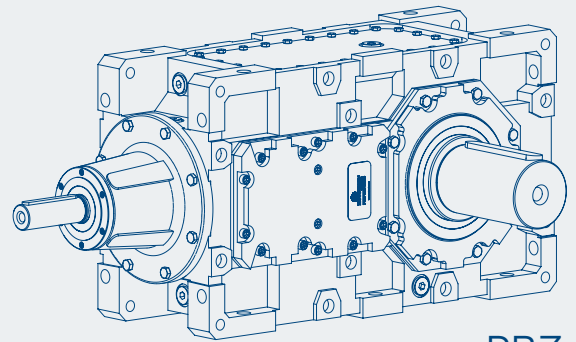
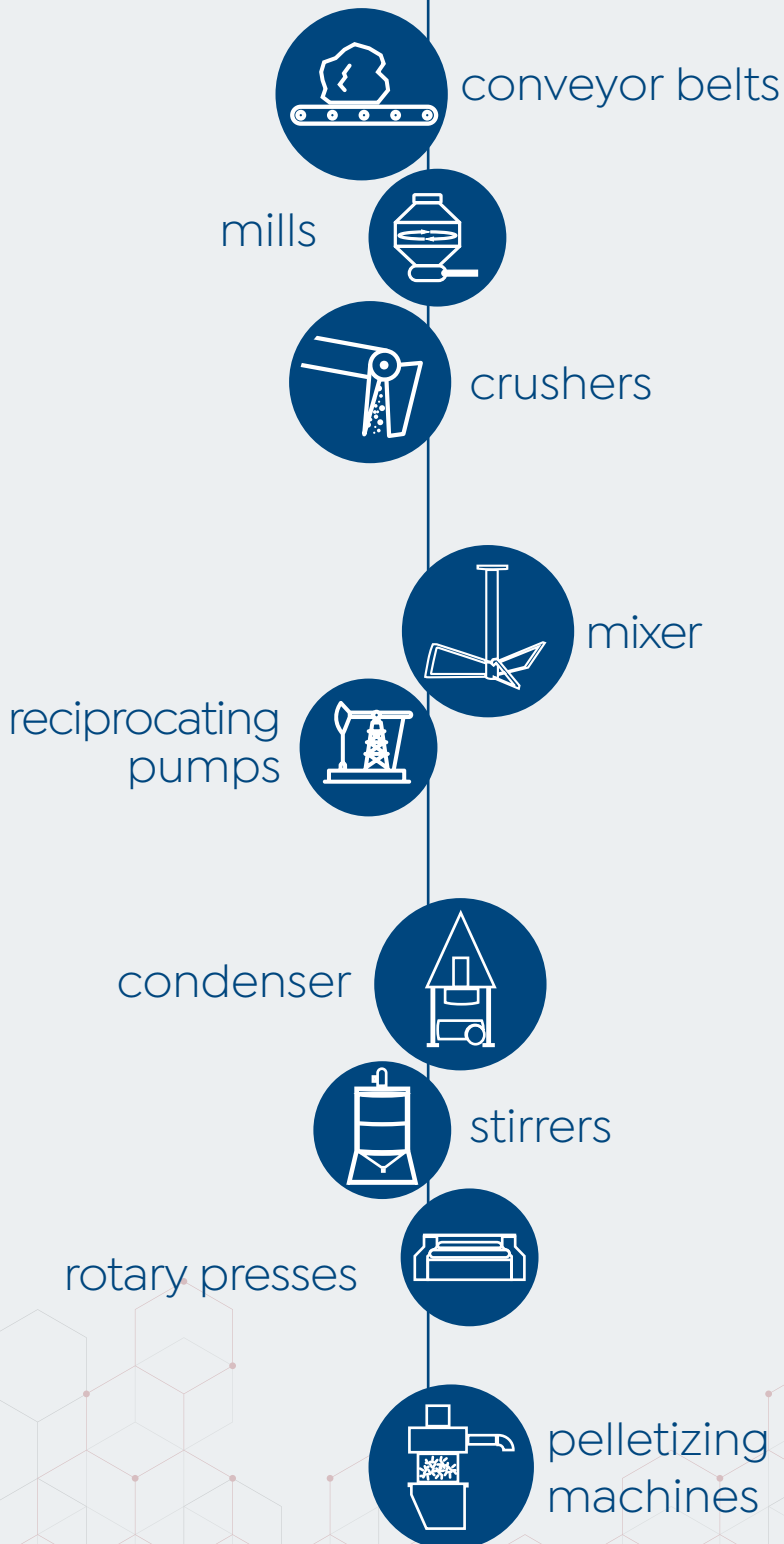


PBZ



# Mid-Heavy Duty gearboxes

## MAIN FIELDS OF APPLICATION

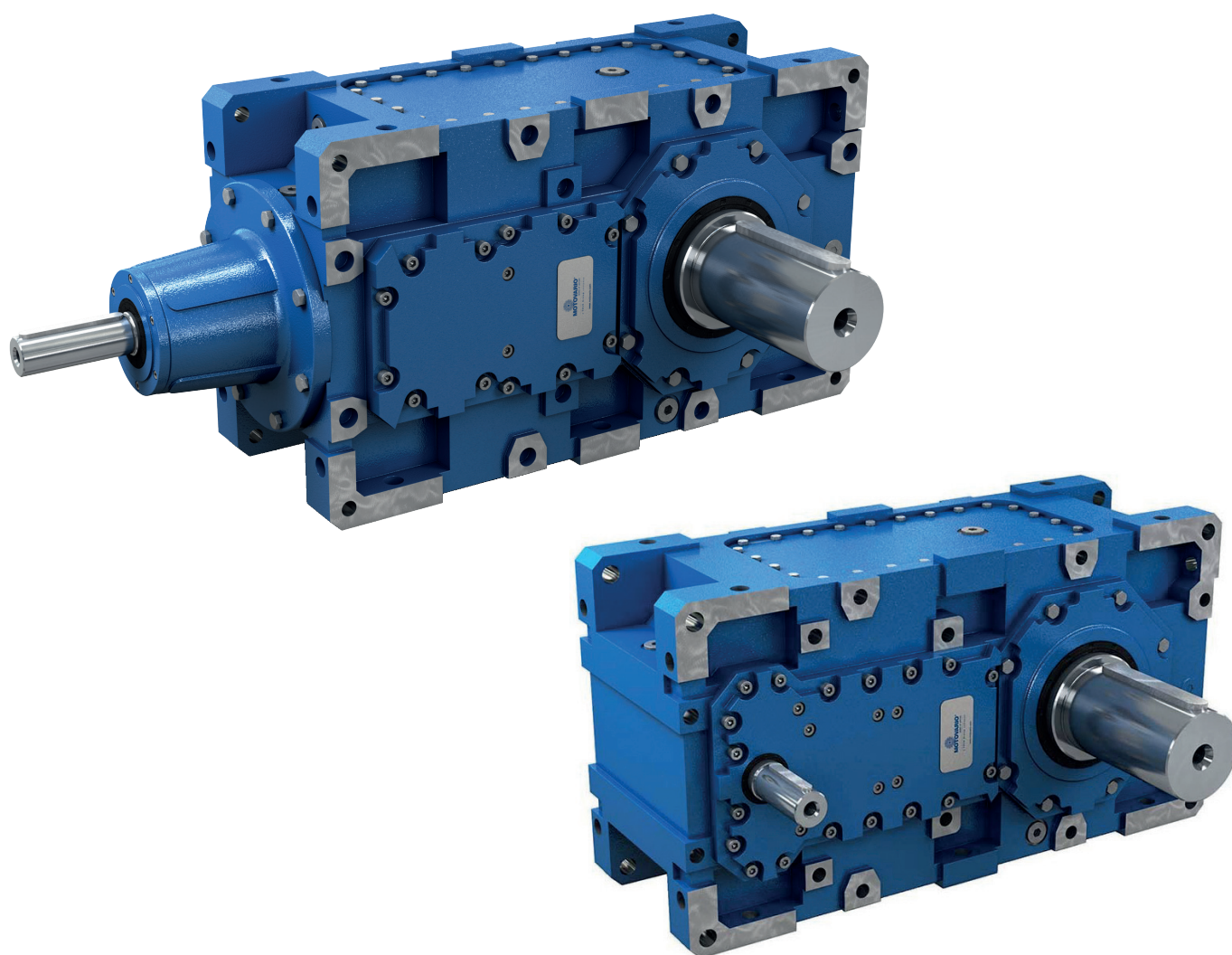


PBZ

## CONTINUOUS SERVICE WITH REDUCED MAINTENANCE COSTS

The Motovario PBZ series consists of parallel helical and bevel-helical gear reducers up to 4 reduction stages, characterised by high power density, compact size, modularity, reliability and a favourable performance/sturdiness ratio.

These industrial gear reducers have been conceived and designed for continuous, critical and particularly arduous applications requiring a high number of accessories, as well as dedicated options for specific fields: PBZ units perfectly meet all these needs, fully satisfying the heavy-duty industry world.



## RANGE

	output shaft diameter (mm)	Mn2 (Nm)	ratio i	
			min	max
<b>PZ 179</b>	100	9000	6,37	86,2
<b>PZ 199</b>	110	11000	7,91	107
<b>PZ 219</b>	120	19000	6,28	318
<b>PZ 249</b>	130	24000	7,96	403
<b>PZ 269</b>	140	29000	6,44	339
<b>PZ 279</b>	160	36000	7,96	419
<b>PZ 319</b>	170	55000	6,33	314
<b>PZ 349</b>	180	70000	8,14	404
<b>PZ 399</b>	200	90000	6,62	319
<b>PZ 409</b>	220	110000	8,01	386

	output shaft diameter (mm)	Mn2 (Nm)	ratio i	
			min	max
<b>BZ 179</b>	100	9000	13,3	69,8
<b>BZ 199</b>	110	11000	16,5	86,6
<b>BZ 219</b>	120	19000	12	323
<b>BZ 249</b>	130	24000	15,3	410
<b>BZ 269</b>	140	29000	12,3	348
<b>BZ 279</b>	160	36000	15,3	431
<b>BZ 319</b>	170	55000	12,1	320
<b>BZ 349</b>	180	70000	15,6	412
<b>BZ 399</b>	200	90000	12,7	327
<b>BZ 409</b>	220	110000	15,4	396

## FEATURES

- Series available in 10 sizes, designed for medium-heavy industry applications
- Performance from 9000 to 110000 Nm
- Gearboxes from 2 to 4 reduction stages for the PZ parallel helical gear reducer; gearboxes from 3 to 4 reduction stages for the BZ bevel-helical gear reducer
- Monobloc casing (up to size 349 included) with high power density
- Universal mounting for horizontal or vertical mounting
- Solid output shaft (as standard)
- Wide range of accessories available in the catalogue
- Kit of dedicated options tailored to the needs of the specific application
- Control units complete with base, electric motor, (hydraulic, spring or toothed) coupling, parking brake
- Available in ATEX, 3GD and 2GD versions

# MAIN ACCESSORIES AVAILABLE IN THE CATALOGUE



## Output shafts:

- solid integral low speed shaft
- hollow shaft with keyway
- hollow shaft with shrink disk

Execution with double outlet input shaft, double output shaft, for both the parallel helical and bevel-helical gear reducers

Coupling and housing for IEC motor connection, possible adapter for NEMA motor

## Cooling systems:

- input shaft fan
- internal coil
- autonomous air/oil and water/oil unit

## Lubrication systems:

- motor pump
- external mechanical pump
- expansion tank

Output flange for direct mounting to the application

Output flange with Drywell execution

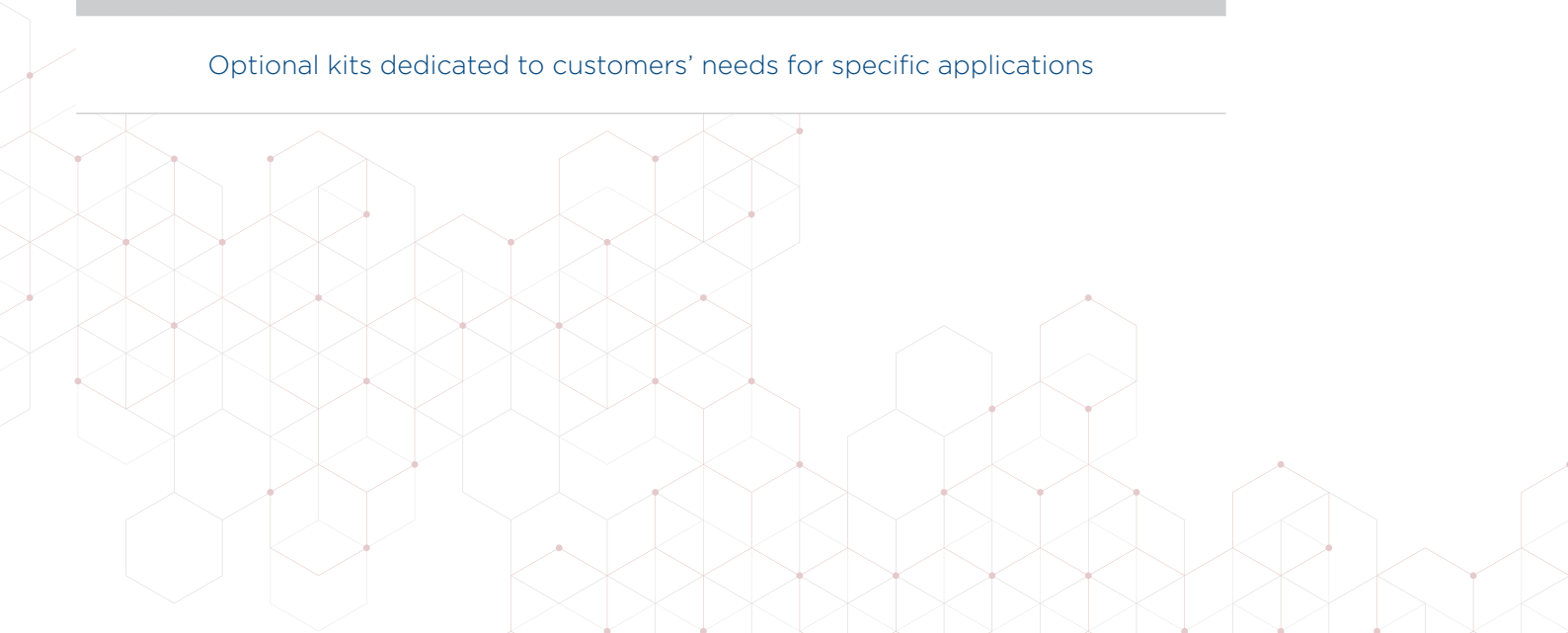
Backstop device

Special C3, C4, and C5 painting

Extruder execution

Control units complete with base, electric motor, (hydraulic, spring or toothed) coupling, parking brake

Optional kits dedicated to customers' needs for specific applications



# MOTOVARIO WEB SERVICES

my.motovario.com

